

ASSEMBLY INSTRUCTION

DESCRIPTION: Type 872 BOOM SIDEBOARD

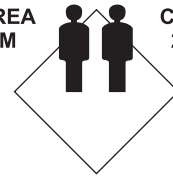
2.5 hrs

APPROXIMATE ASSEMBLY TIME
EXCLUDING GLUE SETTING TIME

2 PERSON ASSEMBLY

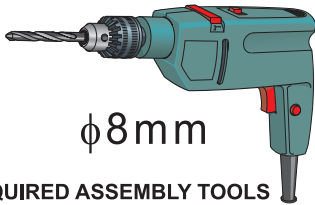


FLOOR AREA
2,5M X 2,5M



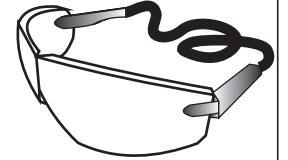
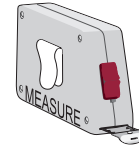
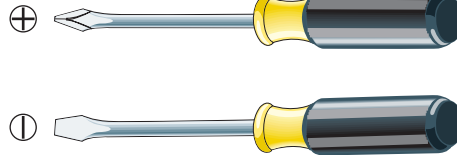
CEILING HEIGHT
2,0M

REQUIRED ASSEMBLY SPACE



$\phi 8\text{mm}$

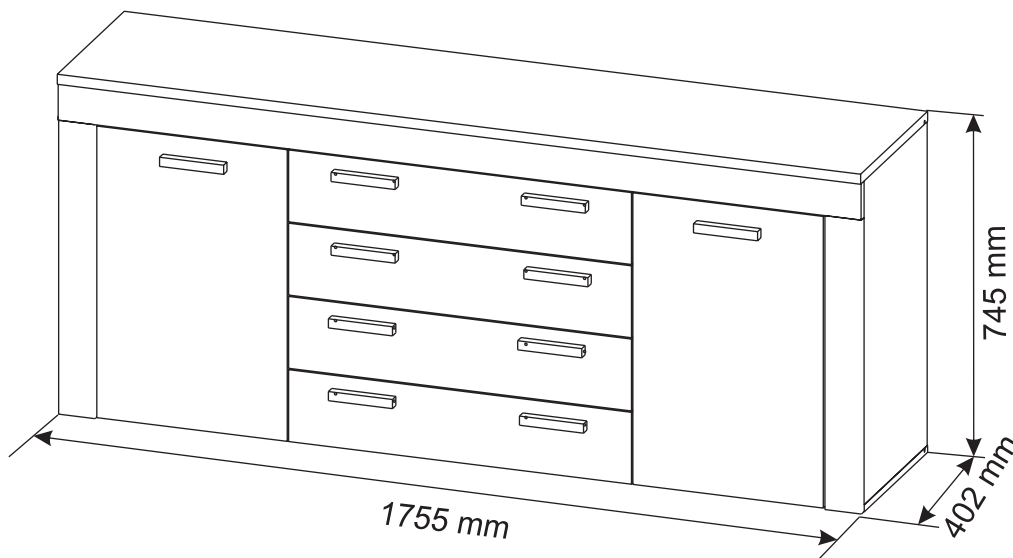
REQUIRED ASSEMBLY TOOLS



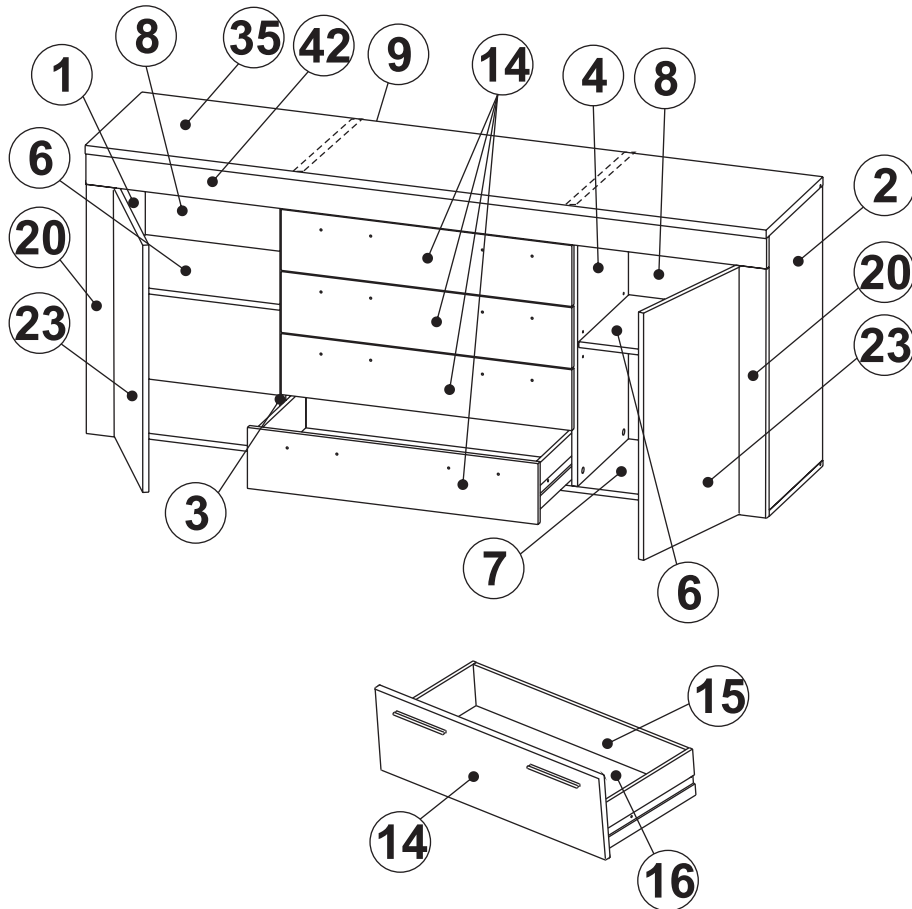
ASSEMBLED DIMENSIONS

PACK 1
CONSISTS OF PARTS :
1,2,3,4,6,8,9,16,23
Fittings

PACK 2
CONSISTS OF PARTS :
7,14,15,20,35,42



PART LIST



NO. PARTS LIST

QTY

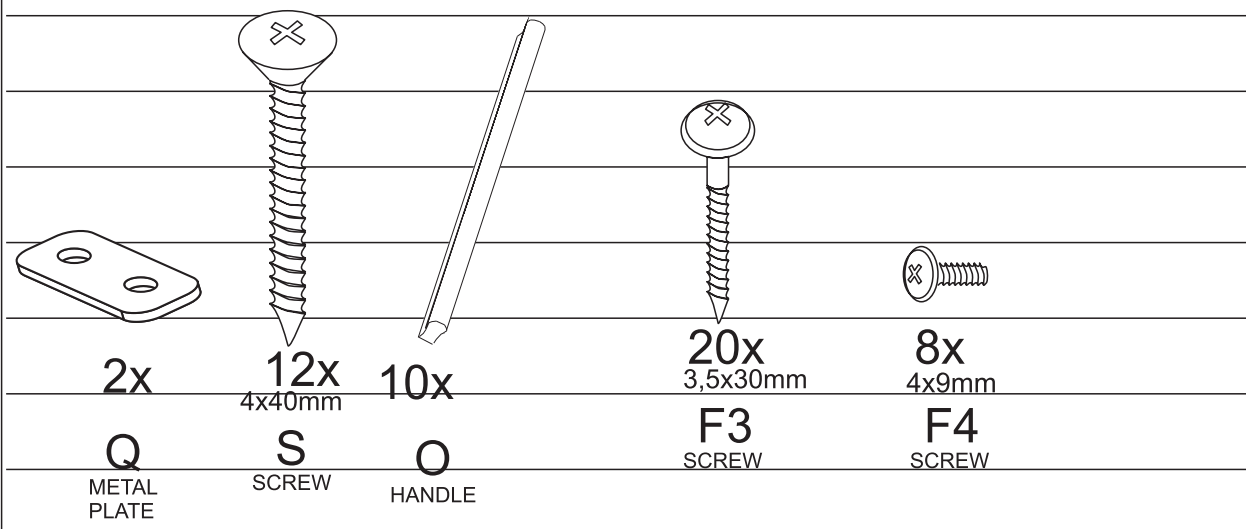
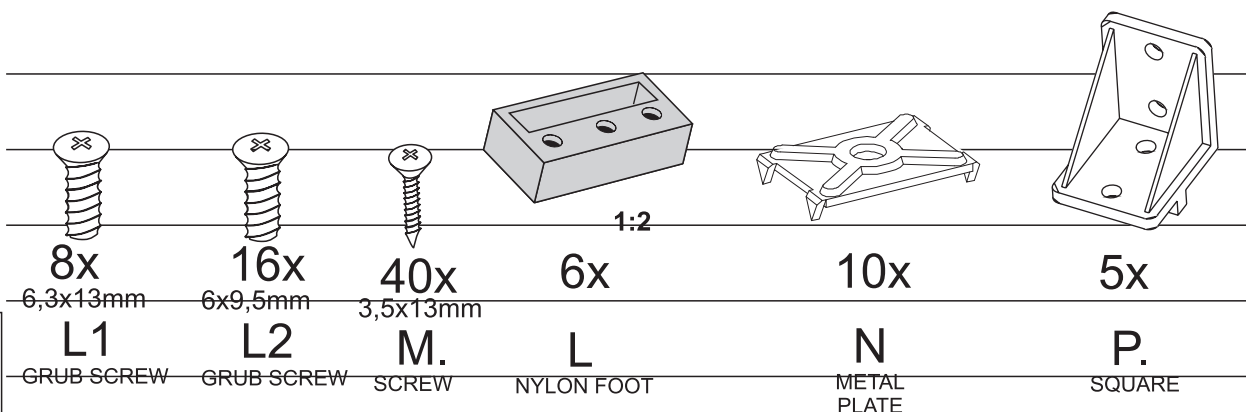
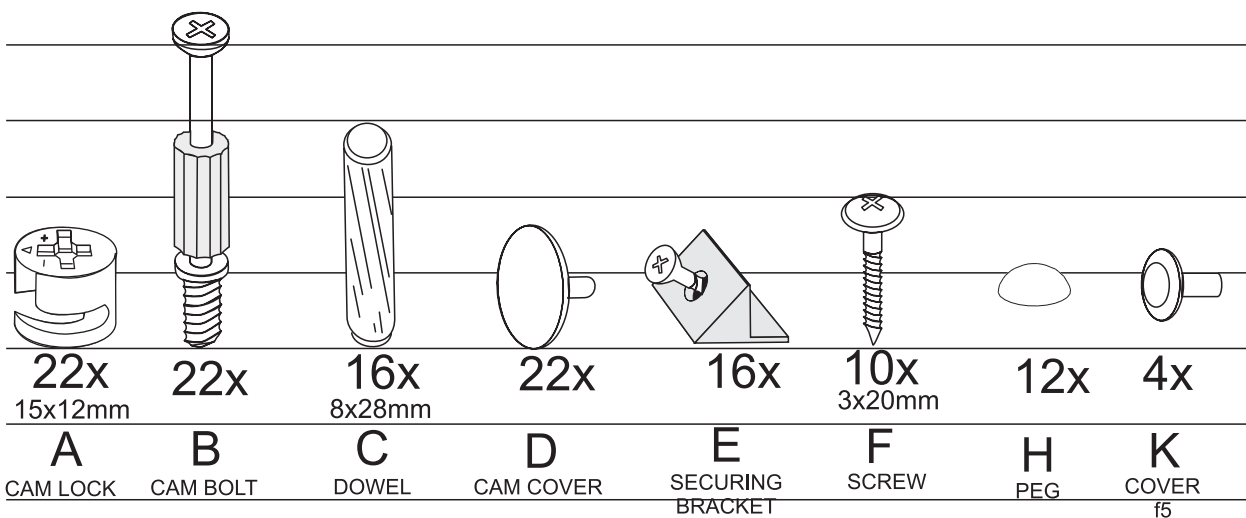
NO. PARTS LIST

QTY

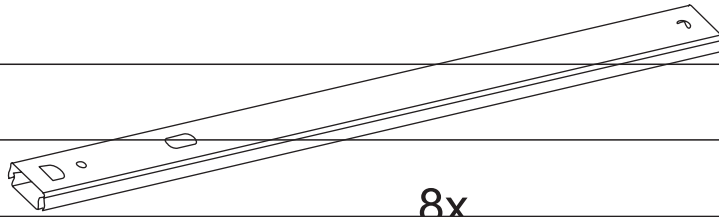
(1) LEFT SIDE PANEL	1	(35) TOP PANEL	1
(2) RIGHT SIDE PANEL	1	(42) TOP PLINTH	1
(3) LEFT DIVIDER	1		
(4) RIGHT DIVIDER	1		
(6) SHELF R/L	2		
(7) BOTTOM PANEL	1		
(8) SIDE BACK PANEL	2		
(9) CENTRAL BACK PANEL	1		
(14) DRAWER FRONT	4		
(15) DRAWER PANEL	4		
(16) DRAWER BOTTOM	4		
(20) LEFT/RIGHT PLINTH	2		
(23) DOOR	2		



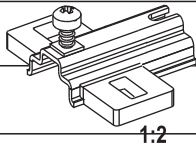
HARDWARE LIST



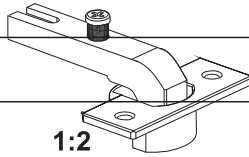
HARDWARE LIST



8x
R
BALL RUNNER



4x
H-2
V1
HINGE PLATE



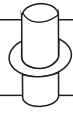
1:2
4x
kr90
W
HINGE



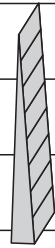
x4
U
DRAWER
BRIDGE



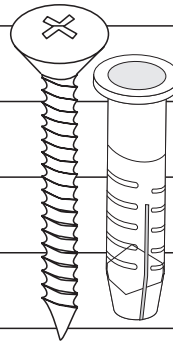
2x
T
GLUE



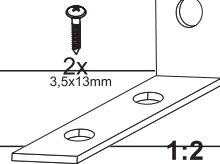
8x
5x16mm
Z
SHELF
SUPPORT



2x
X
LEVEL QUOIN



1x
4x35mm
R
PLASTIC
DOWEL



2x
3.5x13mm
1:2
T
ANGLE



Top Tips before you start!

1. Please check that all parts are present before you start the assembly of your furniture, as once assembled, the furniture is exempt from our home approval policy.
2. For ease and speed of assembly, we recommend that before you commence each step of the assembly, that you identify all the parts required for that step.
3. For larger items, please ensure that you have sufficient space and people (as indicated on page 1) to assemble your product safely.
4. We recommend that, where possible, all items are assembled near to the area in which they will be placed in use, to avoid moving the product unnecessarily once assembled.
5. For the protection of your furniture, particularly items of high gloss finish, we recommend that the product is placed on a protected surface during assembly to prevent any damage.
6. During assembly please take care not to over-tighten any fittings, as this may damage the product .

Care and Maintenance of your Furniture

Please periodically check all fittings and re-tighten as necessary.

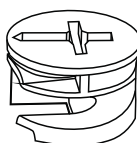
Please do not sit or stand on this item.

Never allow any kind of liquid to remain on your furniture. Absorption can cause wood to warp or finishes to de-laminate.

Please do not drag and pull your furniture.

SPECIAL TIPS FOR FITTING CAM-LOCKS AND CAM-PILLARS

CAM-LOCK



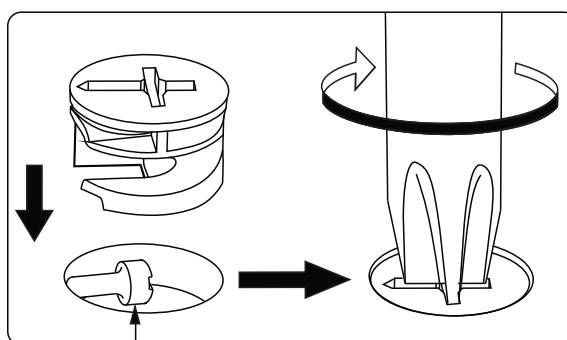
WHEN FITTING CAMS
ENSURE STARTING POSITION IS CORRECT
BEFORE YOU INSERT CONNECTING CAM-PILLAR
TURN CLOCKWISE UNTIL SECURE

✓ ✗

✗

CORRECT WRONG

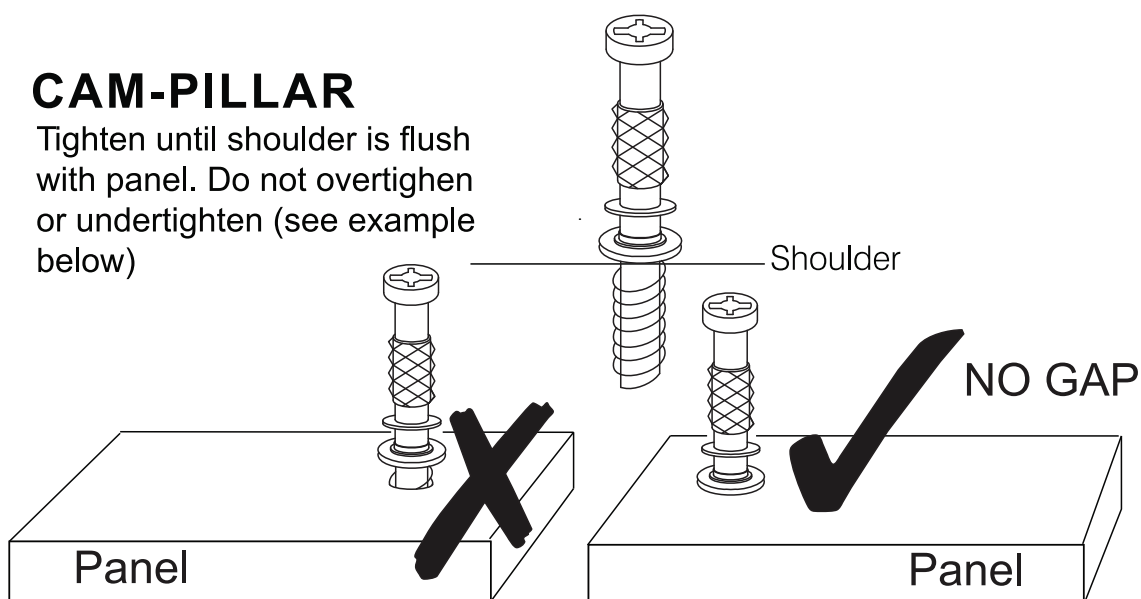
Align with long point of cross



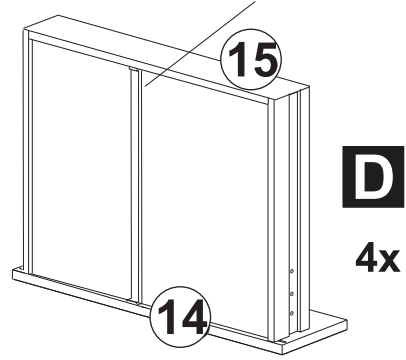
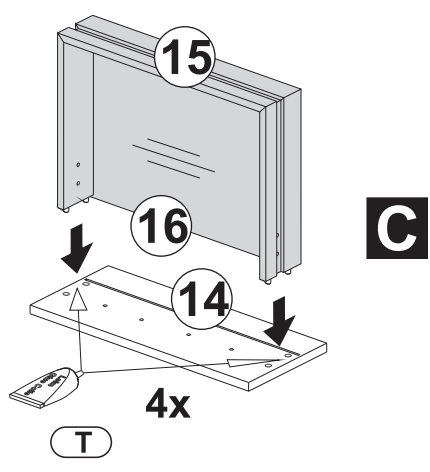
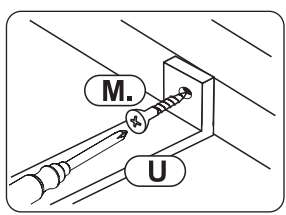
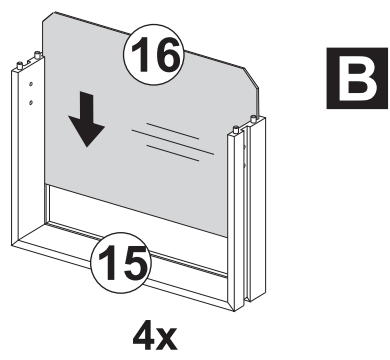
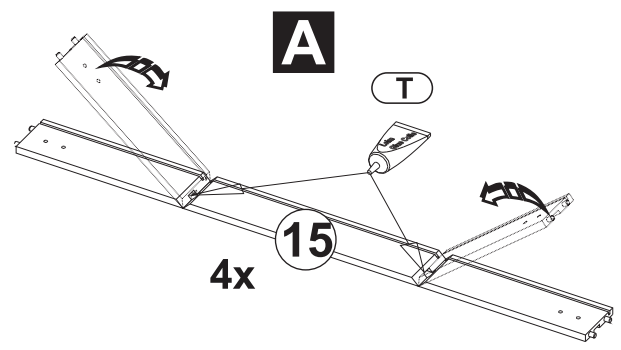
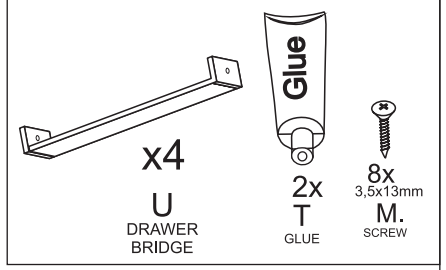
Pillar head needs to be in centre

CAM-PILLAR

Tighten until shoulder is flush with panel. Do not overtighten or undertighten (see example below)



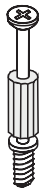

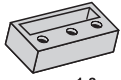


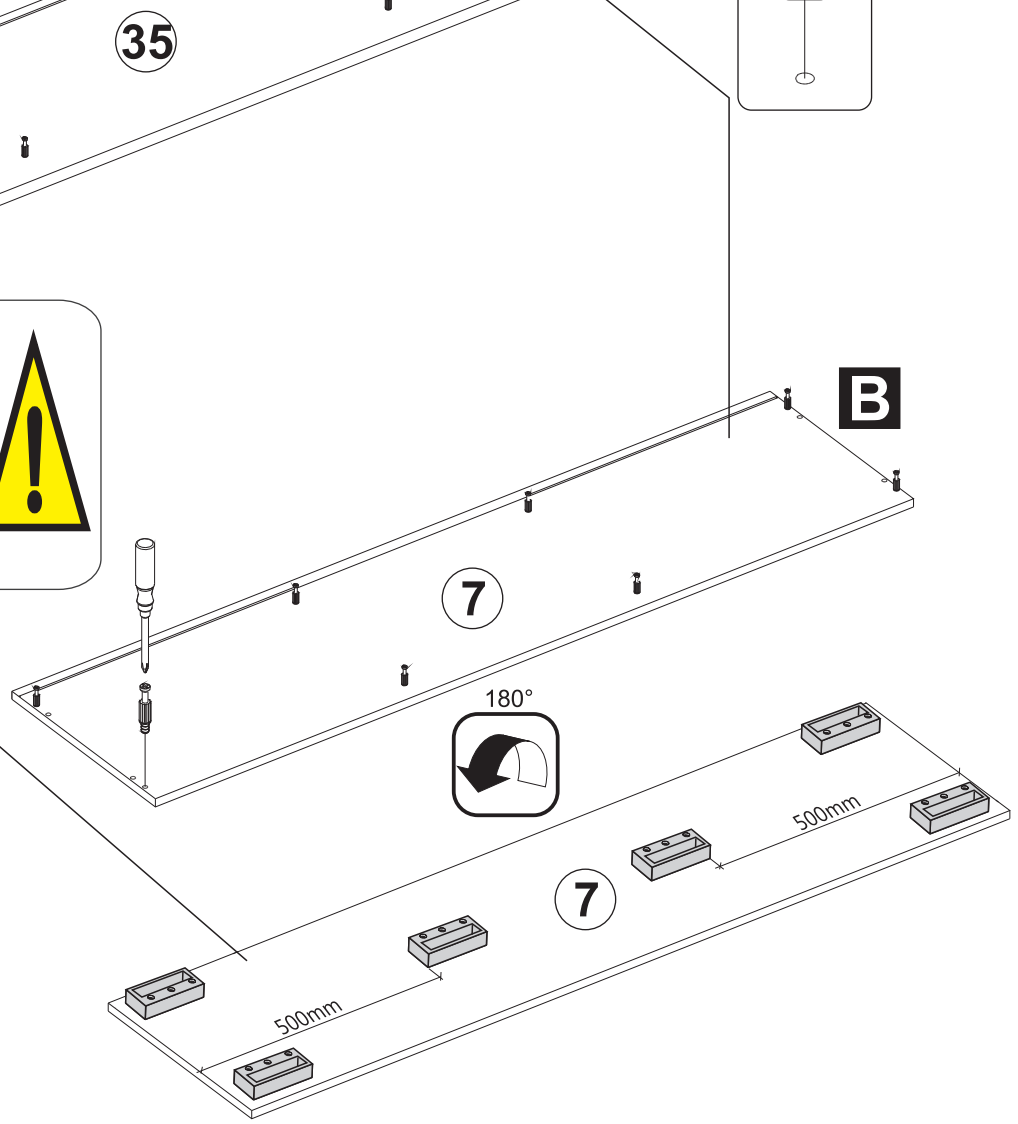
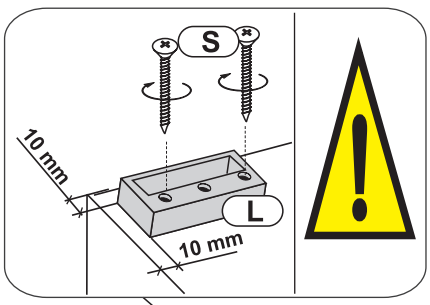
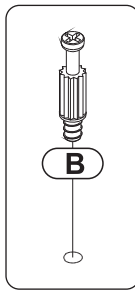
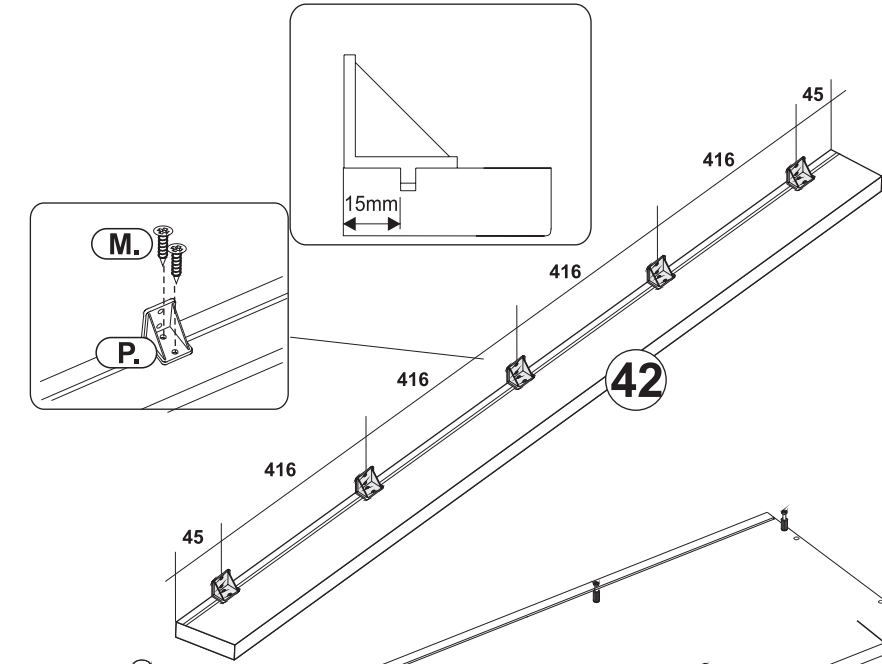
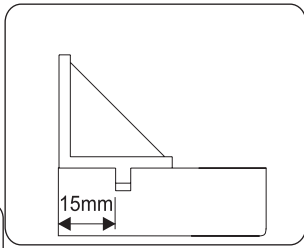
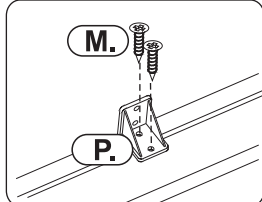
STEP 1




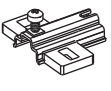



ONCE DRAWER IS ASSEMBLED YOU MUST
LEAVE FOR 1 HOUR TO ALLOW GLUE TO SET.

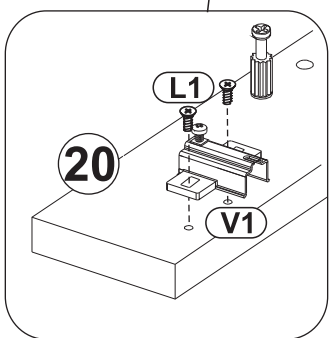
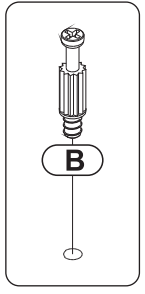
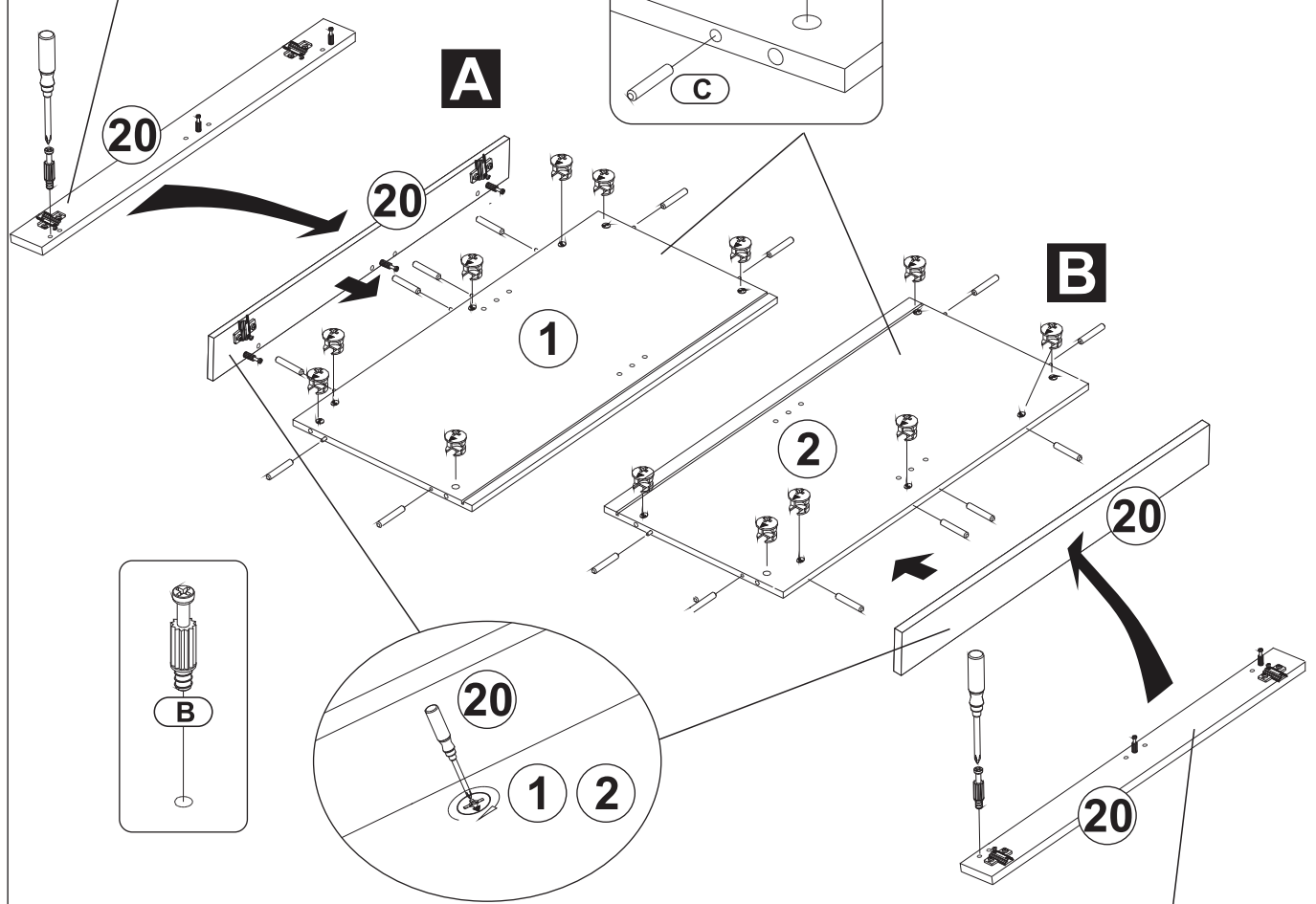
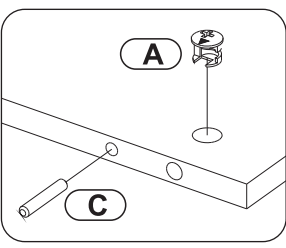
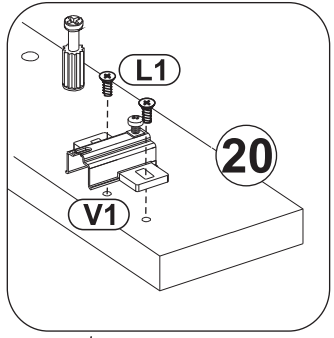
STEP 2

				
10x 3,5x13mm M. SCREW	5x P. SQUARE	16x B. CAM BOLT	12x 4x40mm S. SCREW	6x L. NYLON FOOT



STEP 3

- 
 8x
6,3x13mm
L1
GRUB SCREW
- 
 4x
H-2
V1
HINGE PLATE
- 
 6x
B
CAM BOLT
- 
 14x
A
15x12mm8x28mm
WASHER
- 
 16x
C
DOWEL

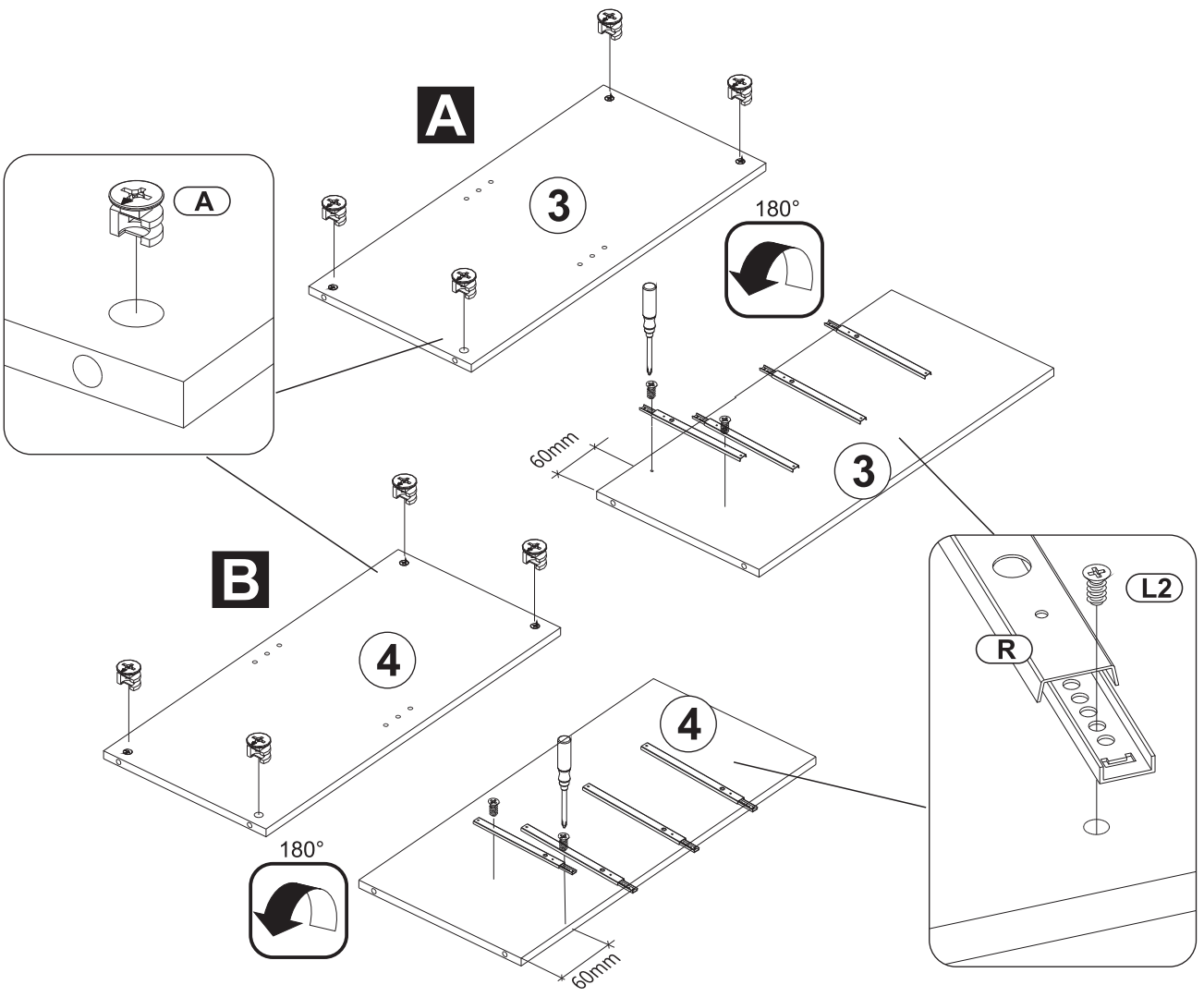


STEP 4

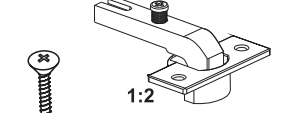
16x
6x9,5mm
L2
GRUB SCREW

8x
R
BALL RUNNER

8x
15x12mm
A

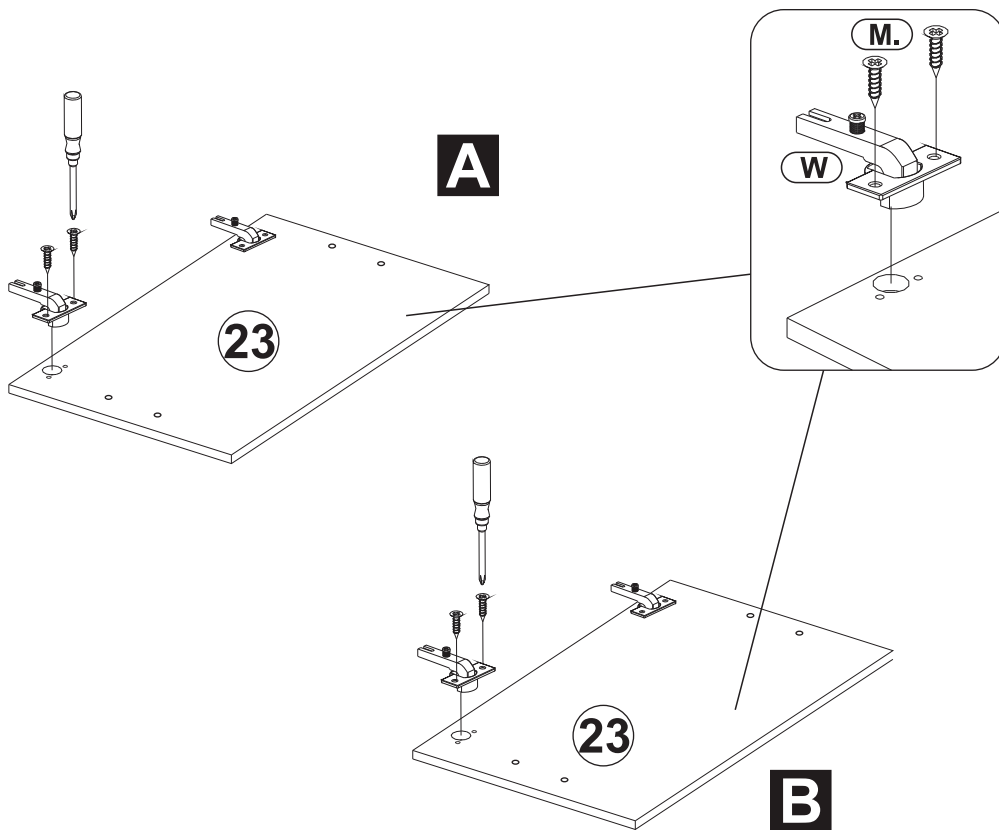
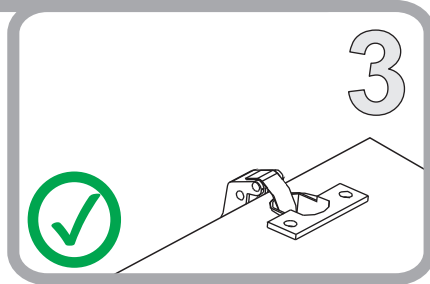
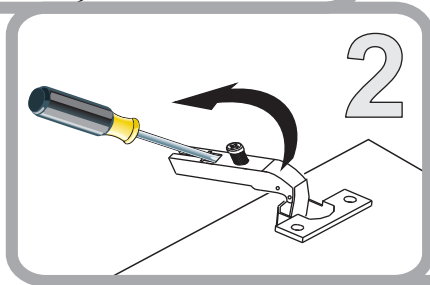
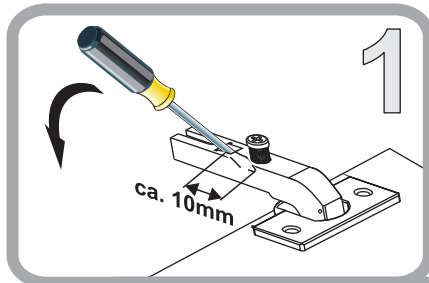


STEP 5

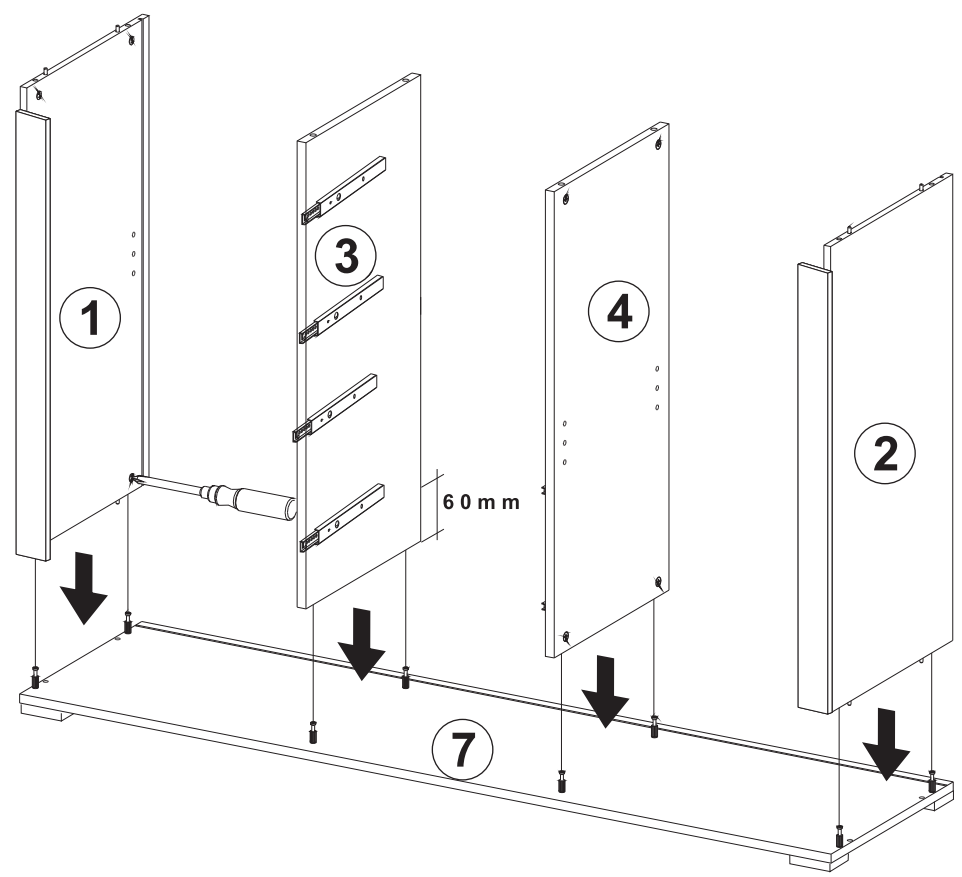
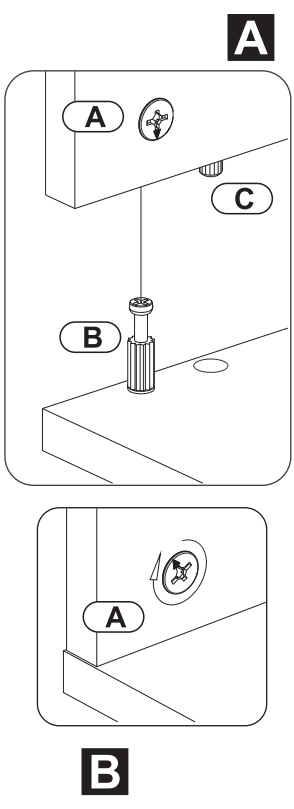


8x
3,5x13mm
M.
SCREW

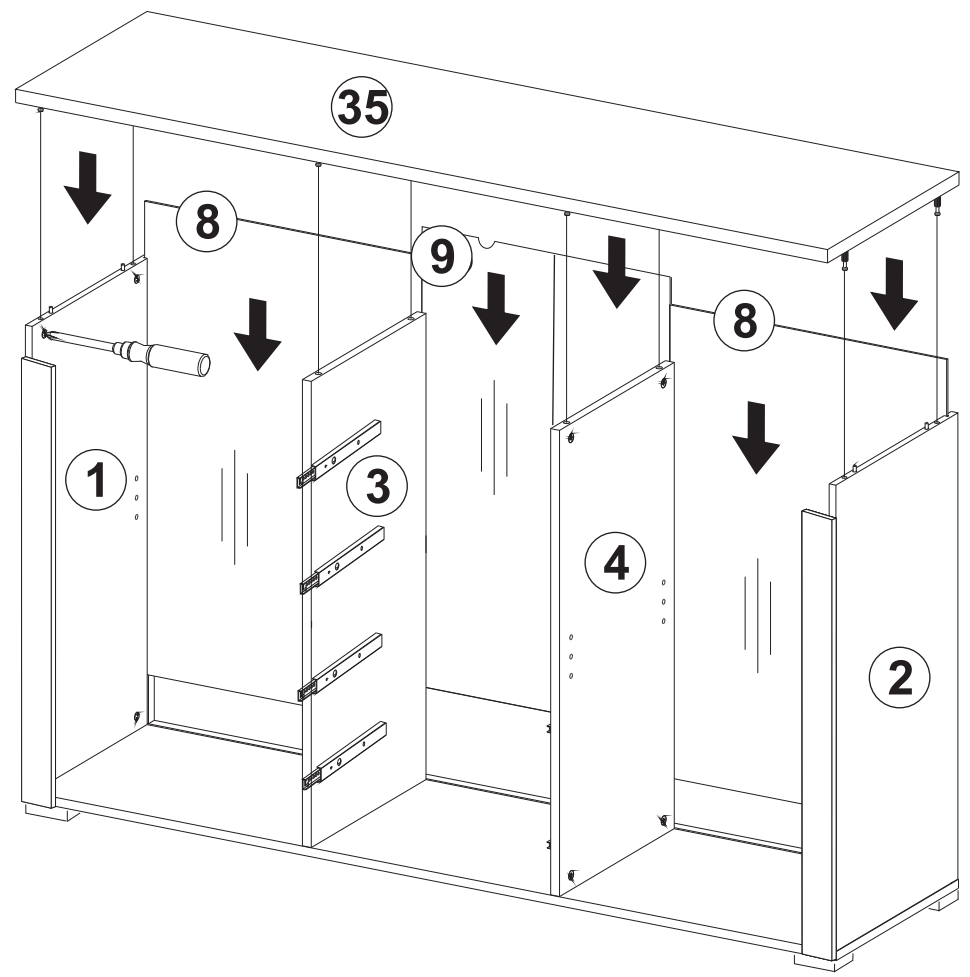
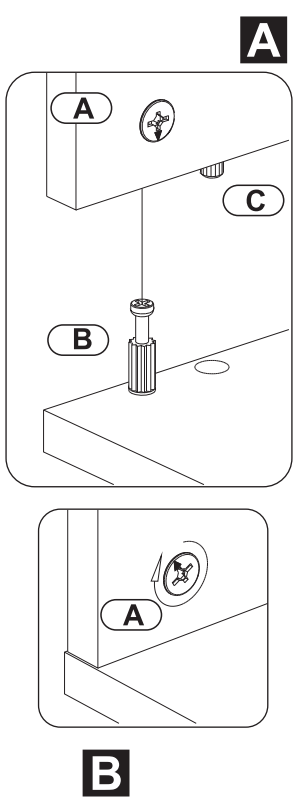
1:2
4x
kr90
W
HINGE



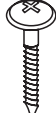
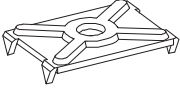
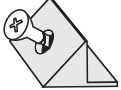
STEP 6

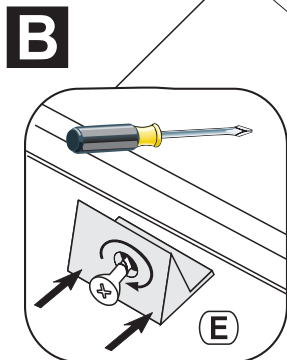
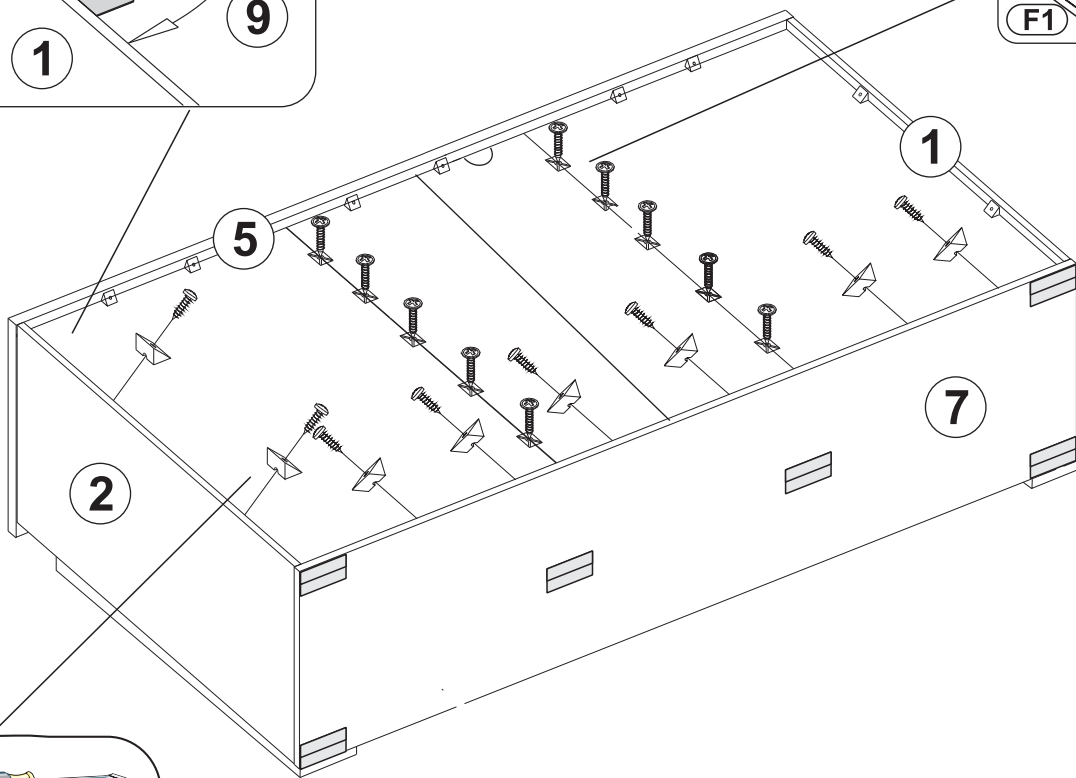
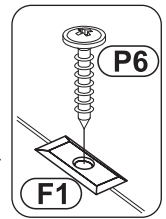
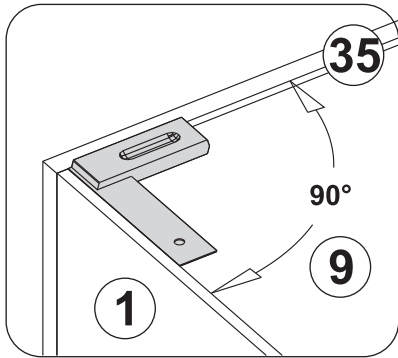


STEP 7

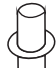





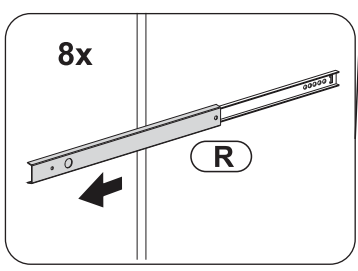
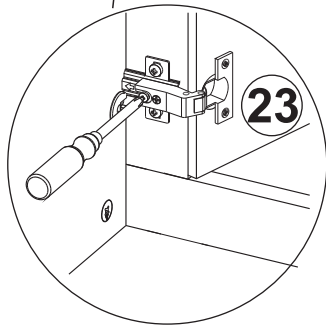
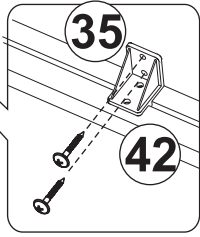
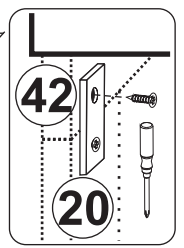
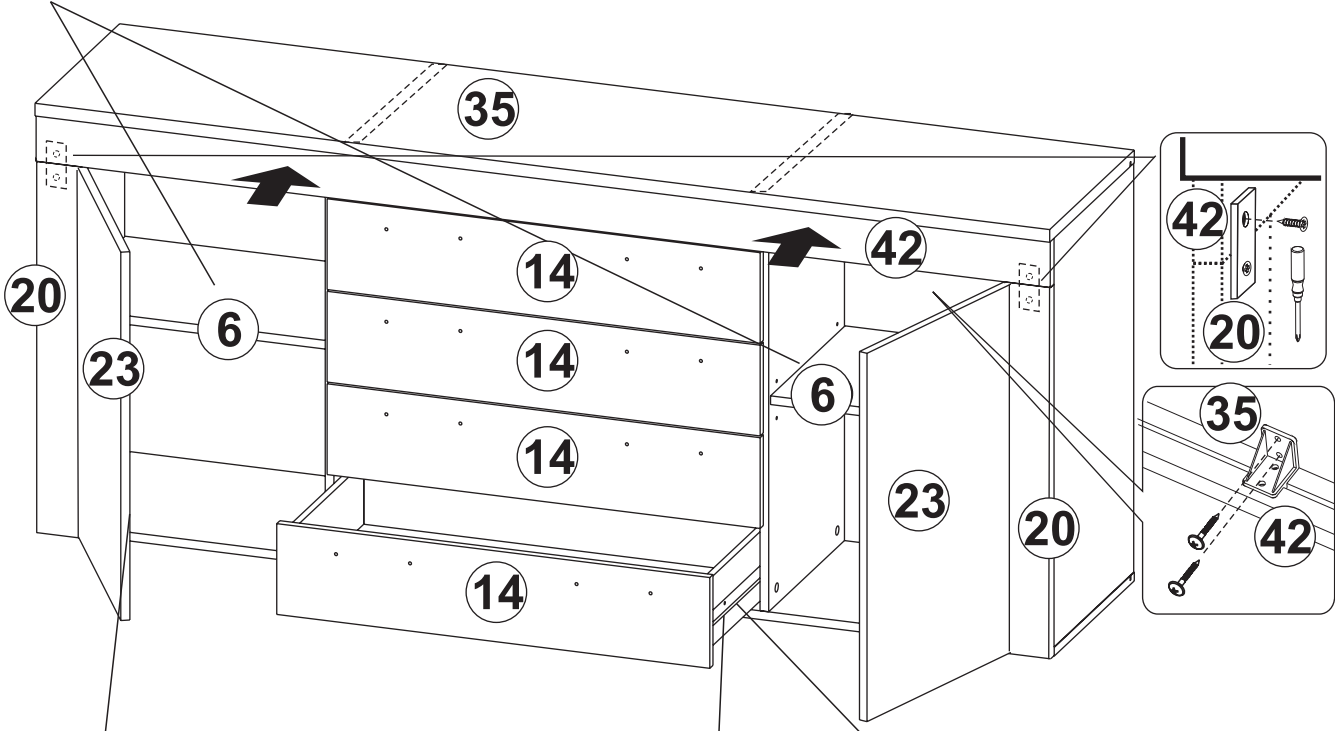
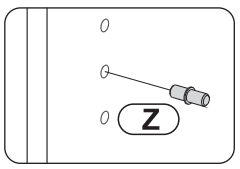
STEP 8

 10x 3x20mm F SCREW	 10x N METAL PLATE	 16x E SECURING BRACKET
--	---	--

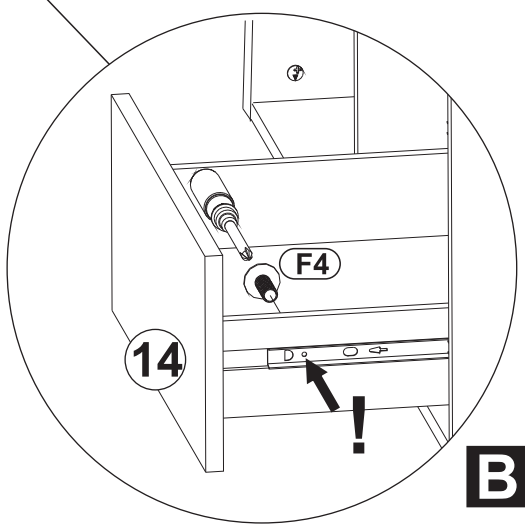


STEP 9

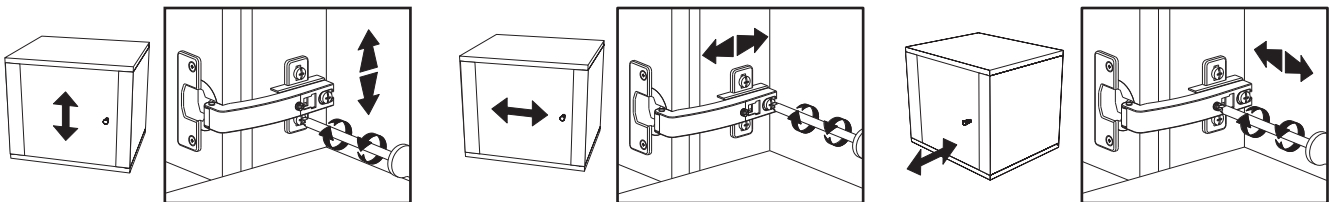
			
8x 5x16mm Z SHELF SUPPORT	8x 4x9mm F4 SCREW	14x 3,5x13mm M. SCREW	2x Q METAL PLATE



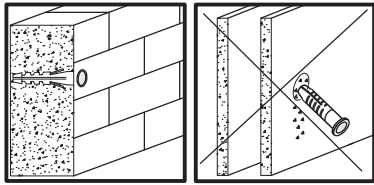
A



B



STEP 10



- | | | | | | | | |
|--------------------------------|-----------------------|-----------------|---------------------|--------------------|------------------------|------------------------------------|------------------|
| | | | | | | | |
| 20x
3,5x30mm
F3
SCREW | 22x
D
CAM COVER | 12x
H
PEG | 4x
K
COVER f5 | 10x
O
HANDLE | 2x
X
LEVEL QUOIN | 1x
4x35mm
R
PLASTIC DOWEL | 1x
T
ANGLE |

