

ASSEMBLY INSTRUCTION

DESCRIPTION: Type 114 BOOM

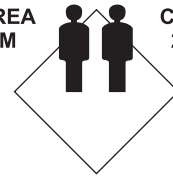
2.5 hrs

APPROXIMATE ASSEMBLY TIME
EXCLUDING GLUE SETTING TIME

2 PERSON ASSEMBLY

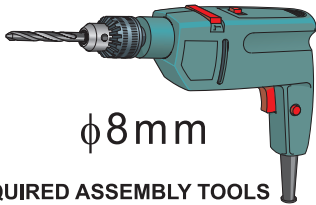


FLOOR AREA
2,5M X 2,5M



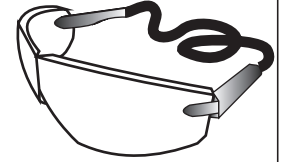
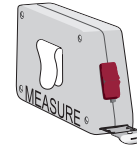
CEILING HEIGHT
2,0M

REQUIRED ASSEMBLY SPACE

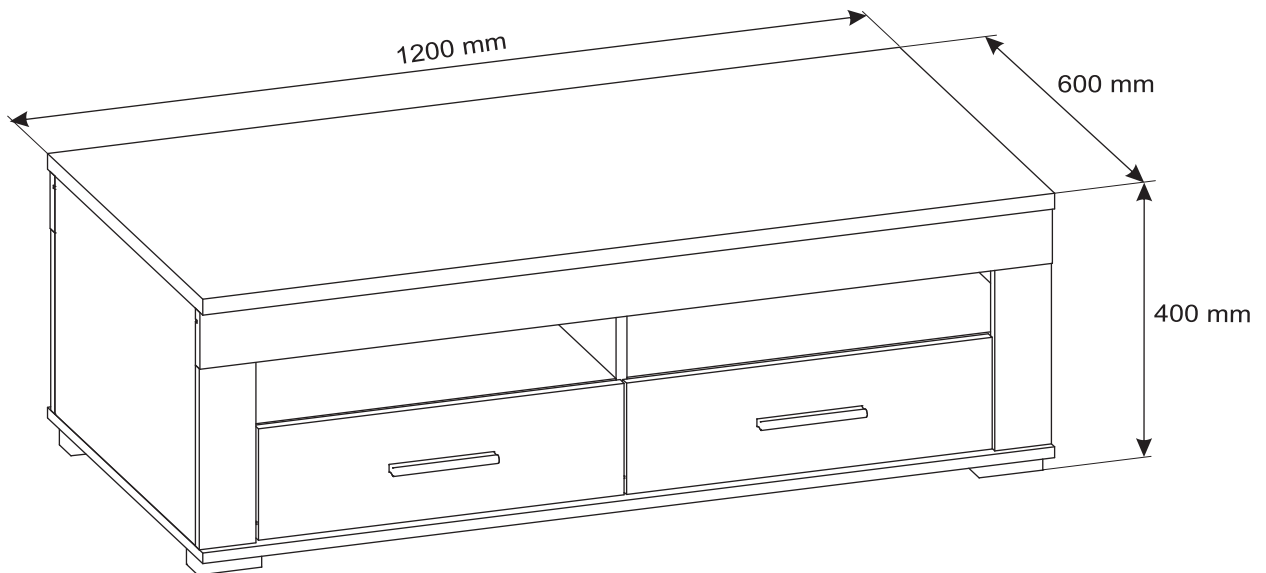


$\phi 8\text{mm}$

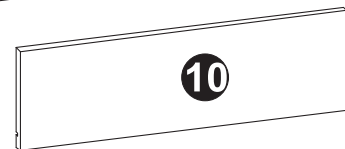
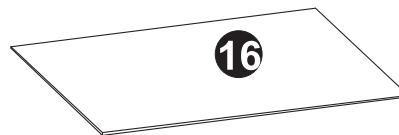
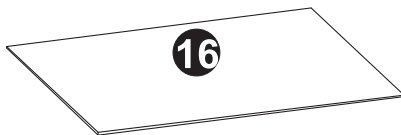
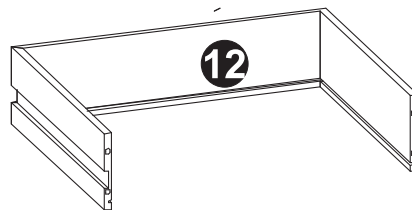
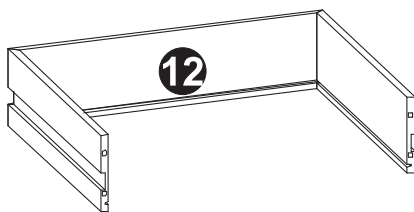
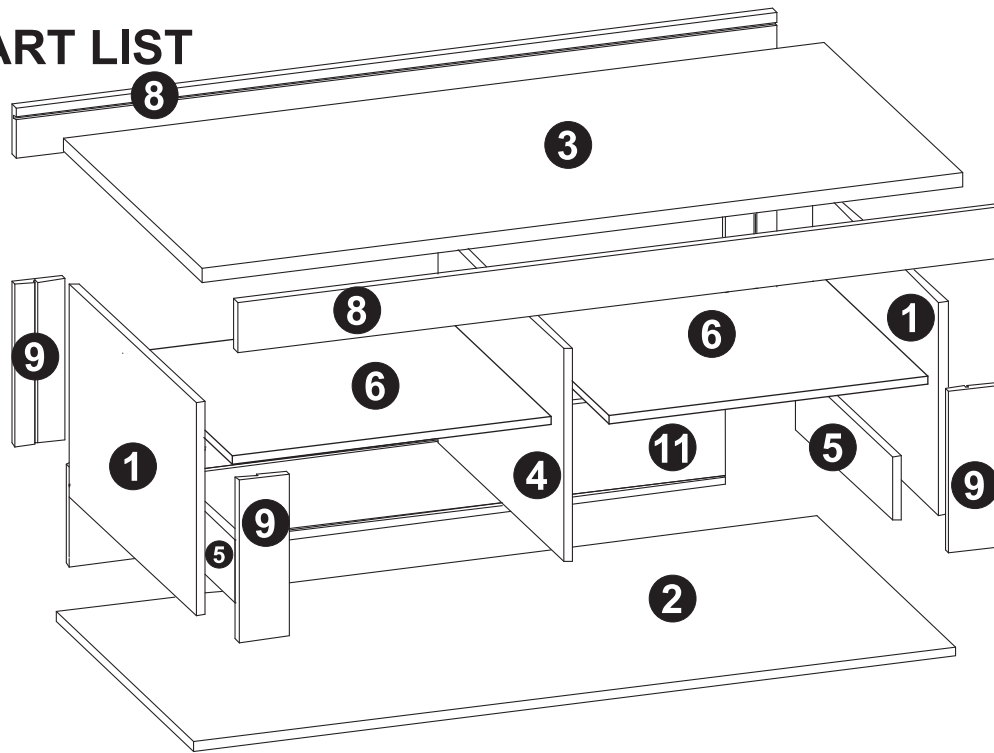
REQUIRED ASSEMBLY TOOLS



ASSEMBLED DIMENSIONS



PART LIST



NO. PARTS LIST

QTY

NO. PARTS LIST

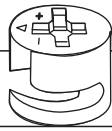
QTY

- (1) LEFT/RIGHT SIDE PANEL 2
- (2) BOTTOM PANEL 1
- (3) TOP PANEL 1
- (4) MIDDLE DIVIDER 1
- (5) R/L SIDE DIVIDER 2
- (6) HORIZONTAL DIVIDER 2
- (8) FRONT TOP PANEL 2
- (9) FRONT R/L PANEL 4
- (10) DRAWER FRONT 2
- (11) BACK PANEL 1

- (12) DRAWER PANELS 2
- (16) DRAWER BOTTOM 2



HARDWARE LIST



24x
15x12mm

A
CAM LOCK



20x

B
CAM BOLT



44x
8x28mm

C
DOWEL



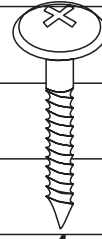
20x

D
ADHESIVE
CAM COVER



2x

E
DOUBLE SIDED
CAM BOLT



4x
3,5x30mm

F
SCREW



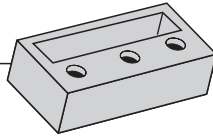
1x

G
GLUE



4x

H
PEG



5x

I
NYLON FOOT



8x
6x8mm

J
GRUB SCREW



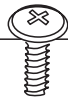
72x
3,5x13mm

K
SCREW



2x

L
LEVEL QUOIN



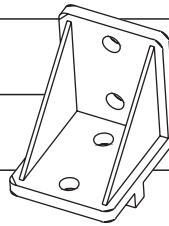
4x
4x9mm

M
SCREW



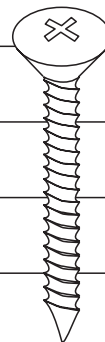
2x 1:2

N
HANDLE



20x

O
SQUARE

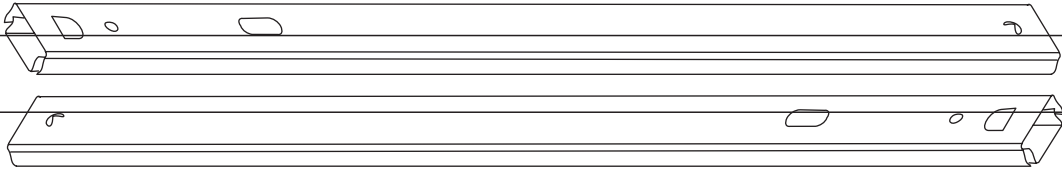


10x
4x40mm

P
SCREW



HARDWARE LIST



2x Left / 2x Right

L=310

R

BALL RUNNER



Top Tips before you start!

1. Please check that all parts are present before you start the assembly of your furniture, as once assembled, the furniture is exempt from our home approval policy.
2. For ease and speed of assembly, we recommend that before you commence each step of the assembly, that you identify all the parts required for that step.
3. For larger items, please ensure that you have sufficient space and people (as indicated on page 1) to assemble your product safely.
4. We recommend that, where possible, all items are assembled near to the area in which they will be placed in use, to avoid moving the product unnecessarily once assembled.
5. For the protection of your furniture, particularly items of high gloss finish, we recommend that the product is placed on a protected surface during assembly to prevent any damage.
6. During assembly please take care not to over-tighten any fittings, as this may damage the product .

Care and Maintenance of your Furniture

Please periodically check all fittings and re-tighten as necessary.

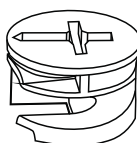
Please do not sit or stand on this item.

Never allow any kind of liquid to remain on your furniture. Absorption can cause wood to warp or finishes to de-laminate.

Please do not drag and pull your furniture.

SPECIAL TIPS FOR FITTING CAM-LOCKS AND CAM-PILLARS

CAM-LOCK



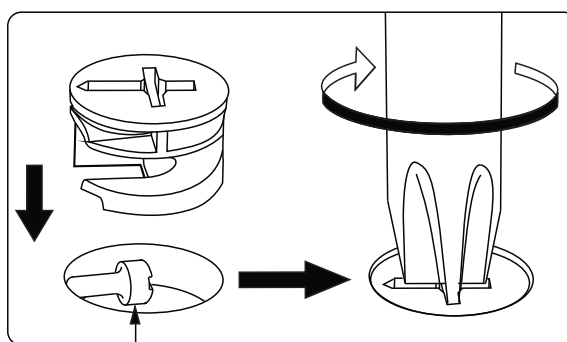
WHEN FITTING CAMS
ENSURE STARTING POSITION IS CORRECT
BEFORE YOU INSERT CONNECTING CAM-PILLAR
TURN CLOCKWISE UNTIL SECURE

✓ ✗

✗

CORRECT WRONG

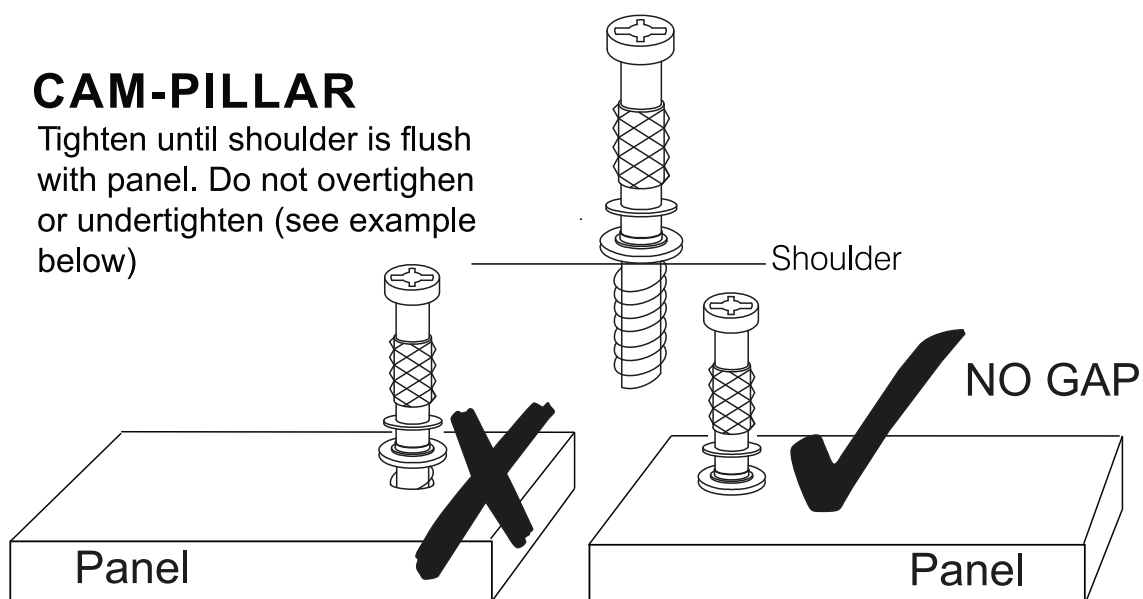
Align with long point of cross



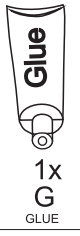
Pillar head needs to be in centre

CAM-PILLAR

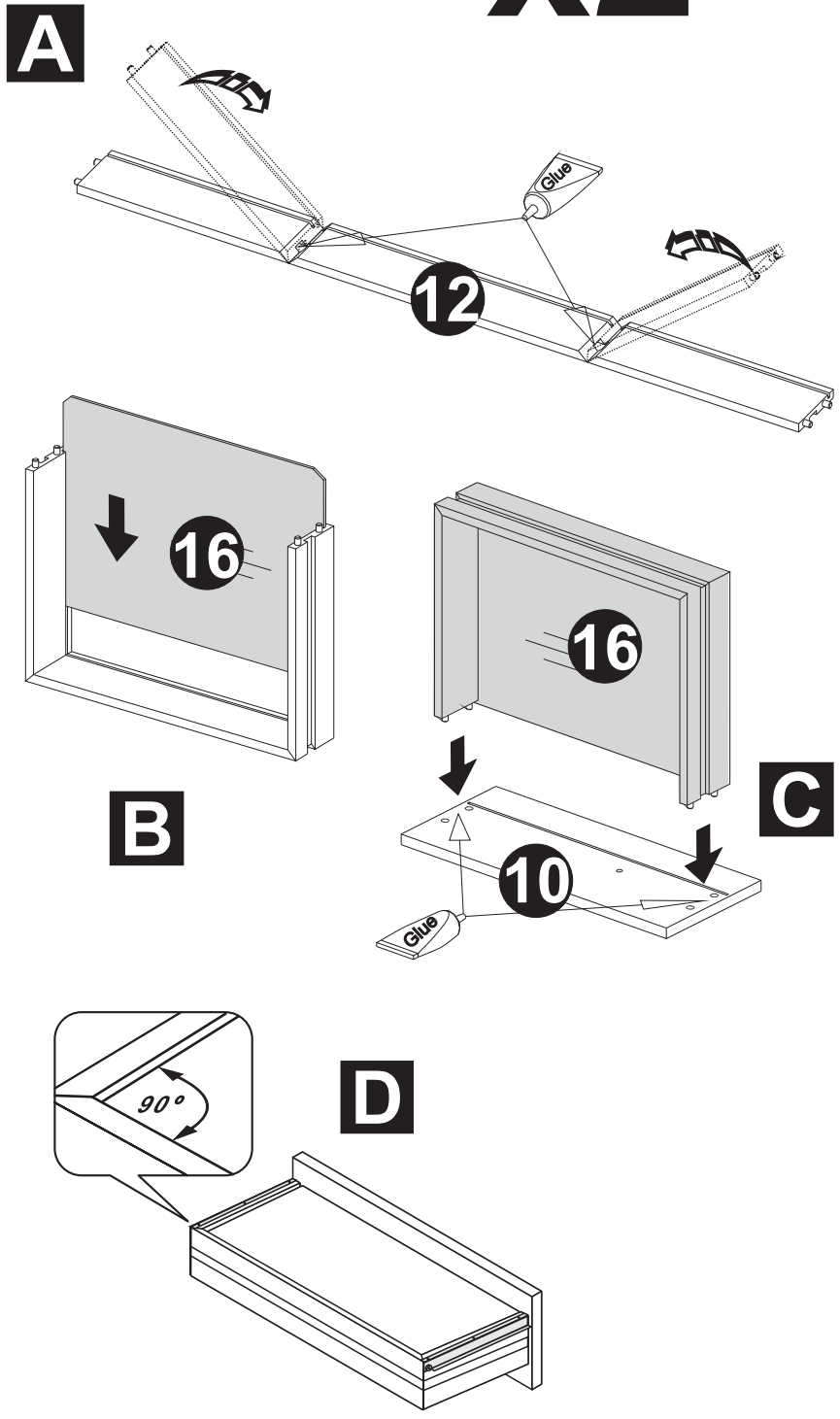
Tighten until shoulder is flush with panel. Do not overtighten or undertighten (see example below)



STEP 1

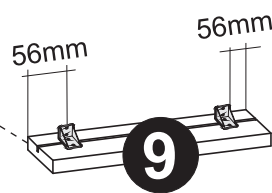
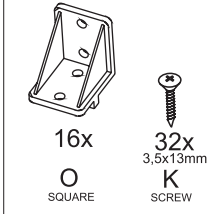
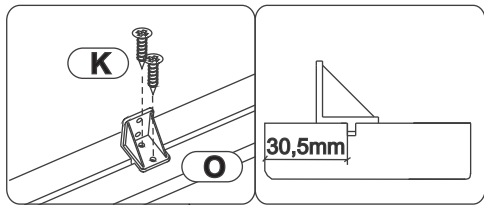


x2

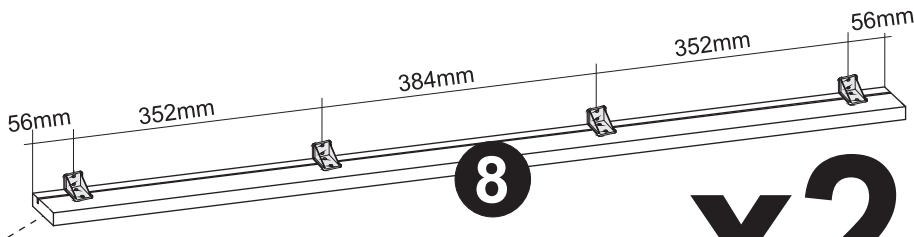
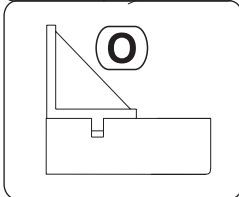
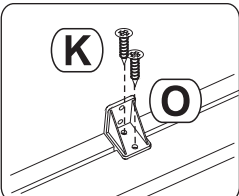


ONCE DRAWER IS ASSEMBLED YOU MUST LEAVE FOR 1 HOUR TO ALLOW GLUE TO SET.

STEP 2

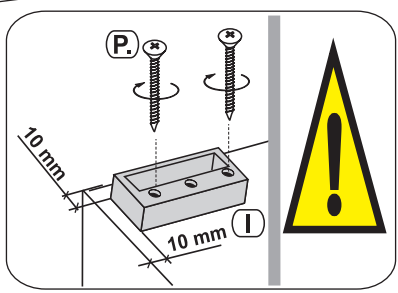
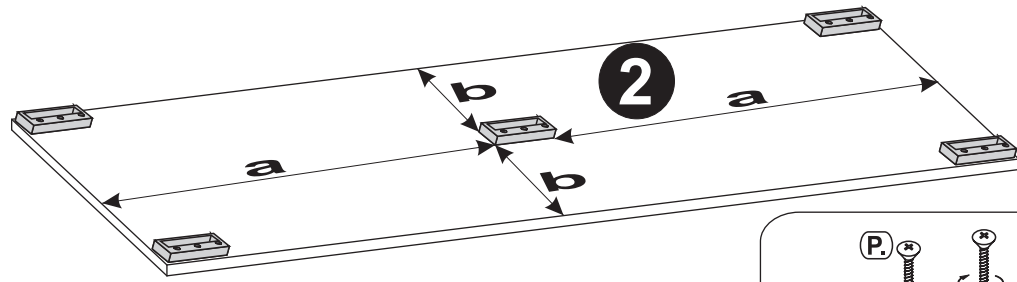
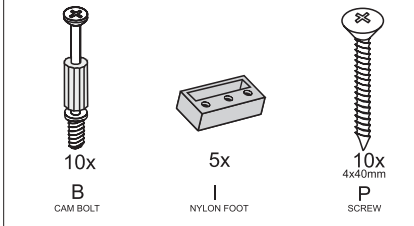
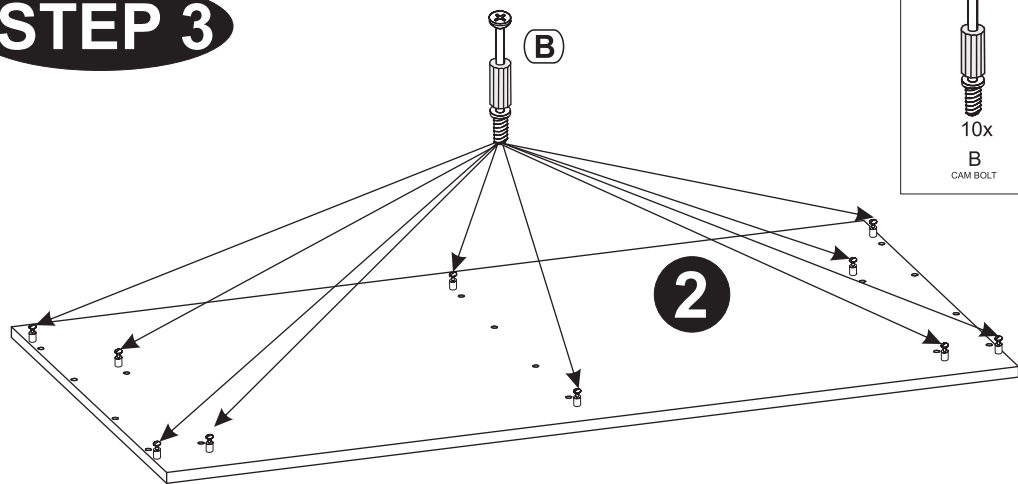


x4

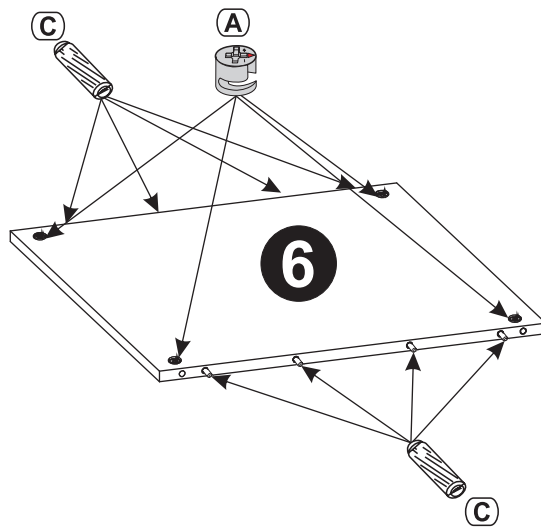
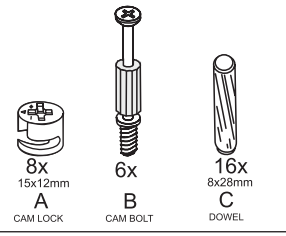
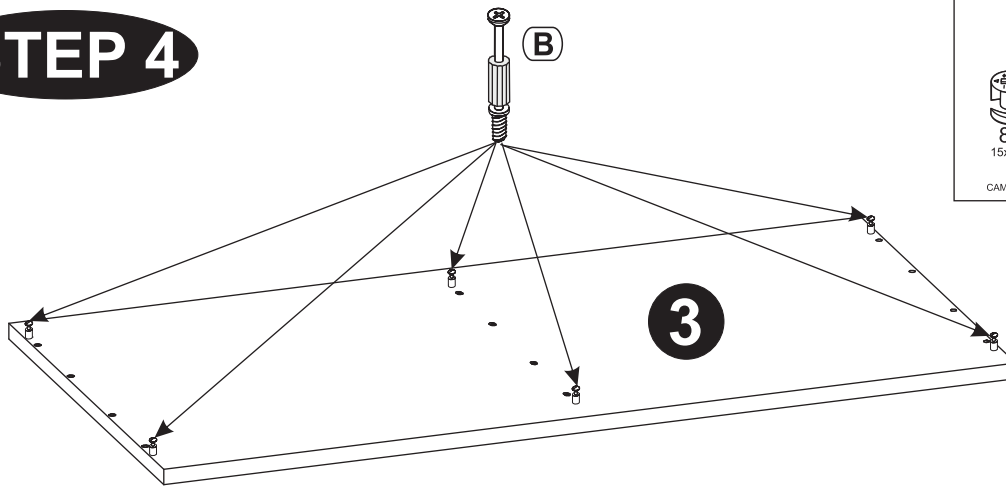


x2

STEP 3

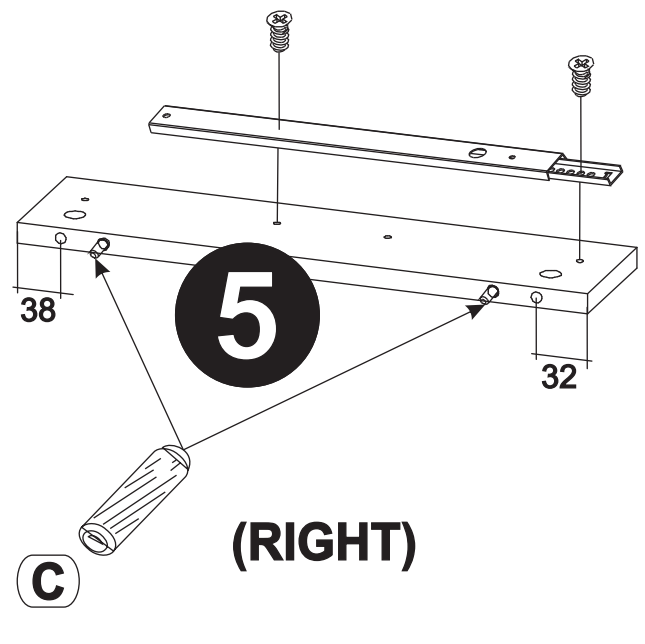
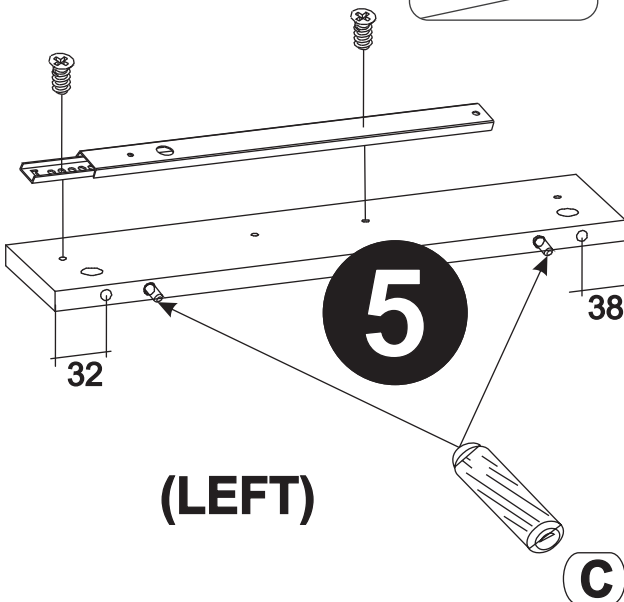
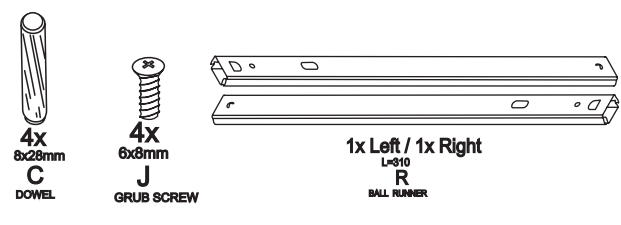
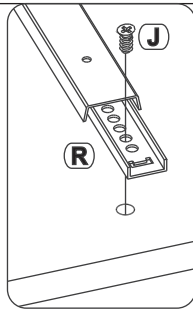


STEP 4


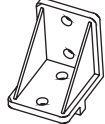


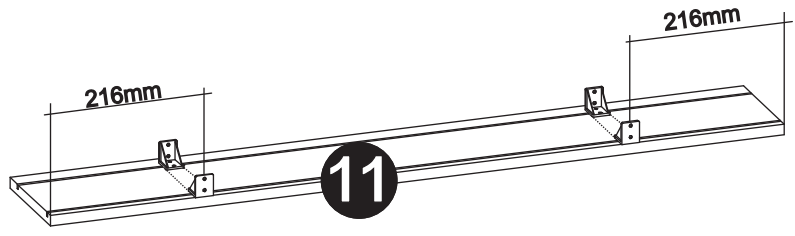
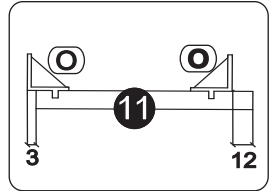
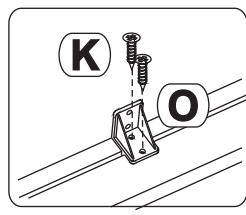
x2

STEP 5





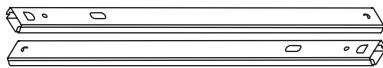


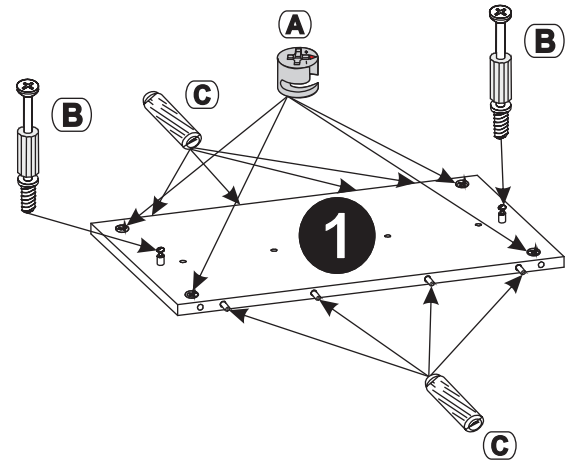
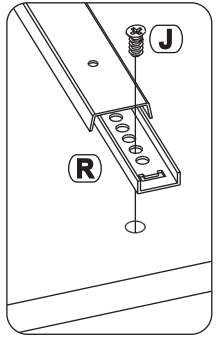
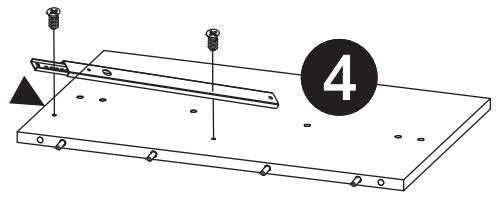
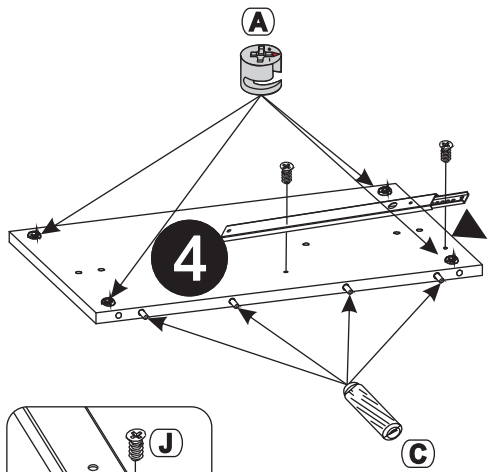
STEP 6

-  8x
3,5x13mm
K
SCREW
-  4x
O
SQUARE



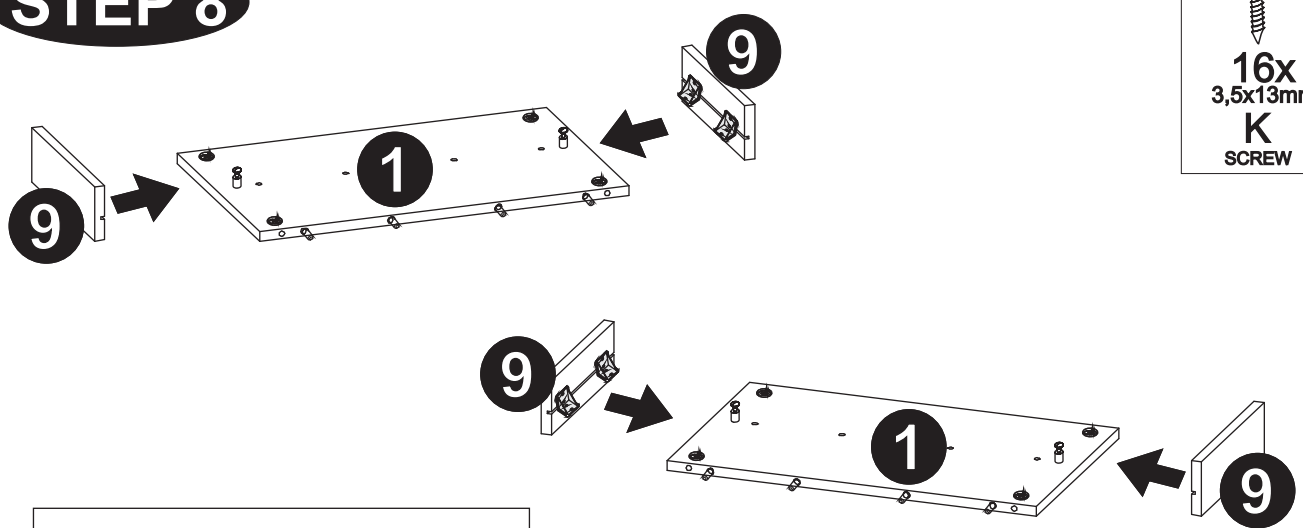
STEP 7


-  12x
15x12mm
A
CAM LOCK
-  4x
B
CAM BOLT
-  24x
6x26mm
C
DOWEL
-  4x
6x8mm
J
GRUB SCREW
-  1x Left / 1x Right
L=910
R
BALL RUNNER

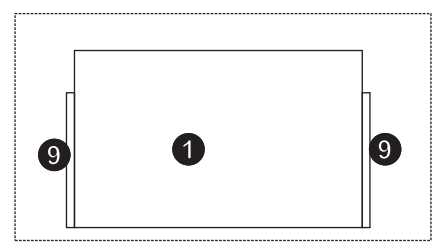
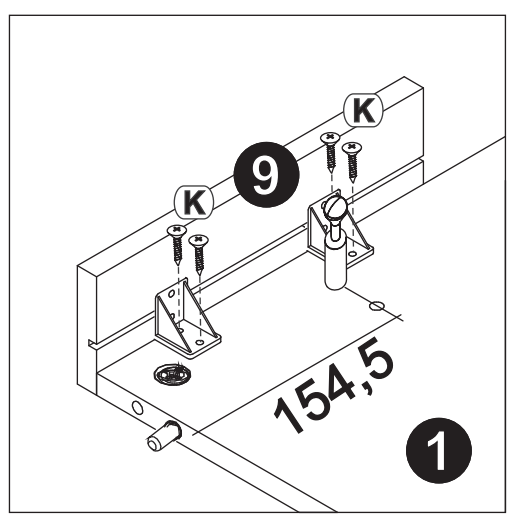


x2

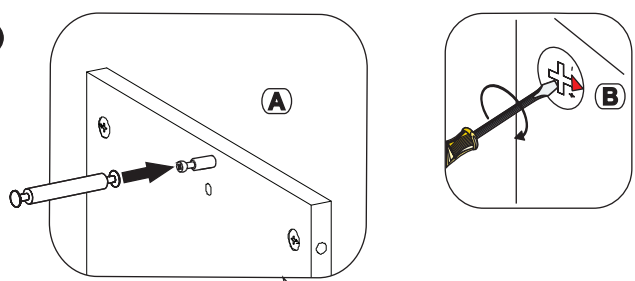
STEP 8




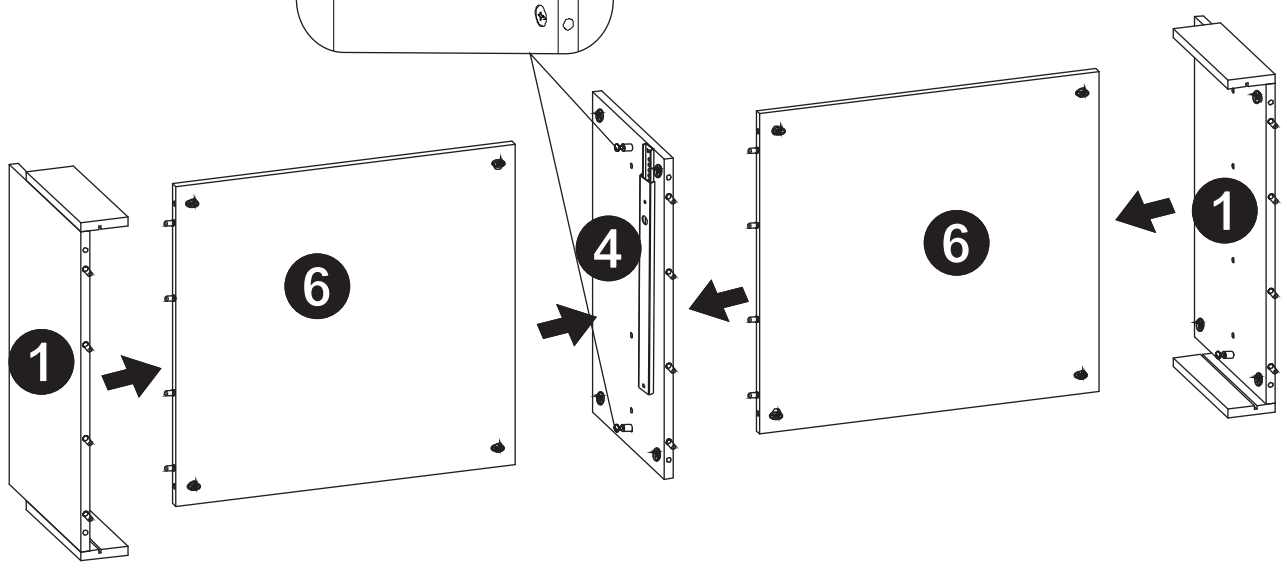

16x
3,5x13mm
K
SCREW



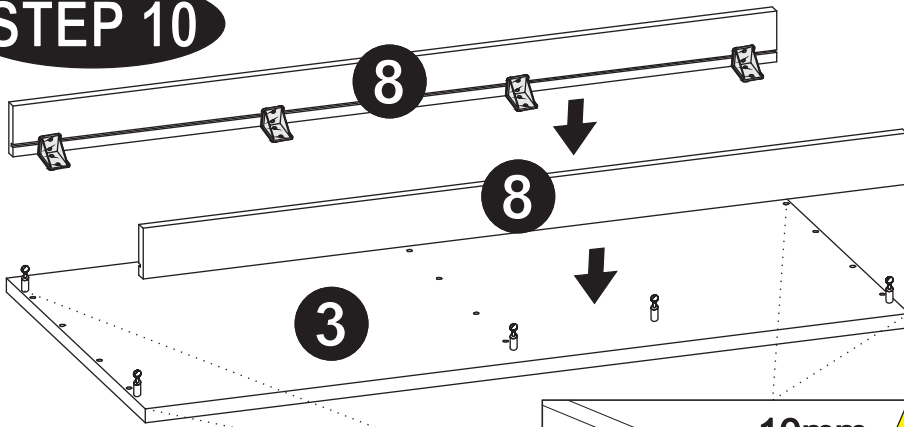
STEP 9




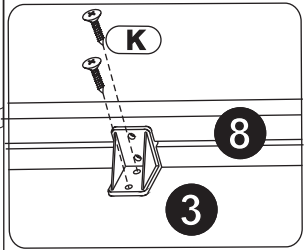
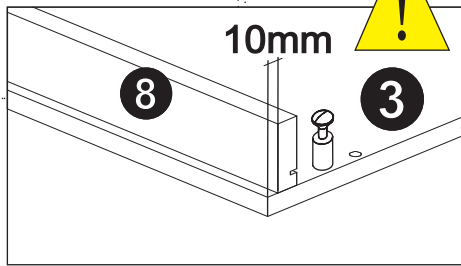

2x
E
DOUBLE SIDED
CAM BOLT



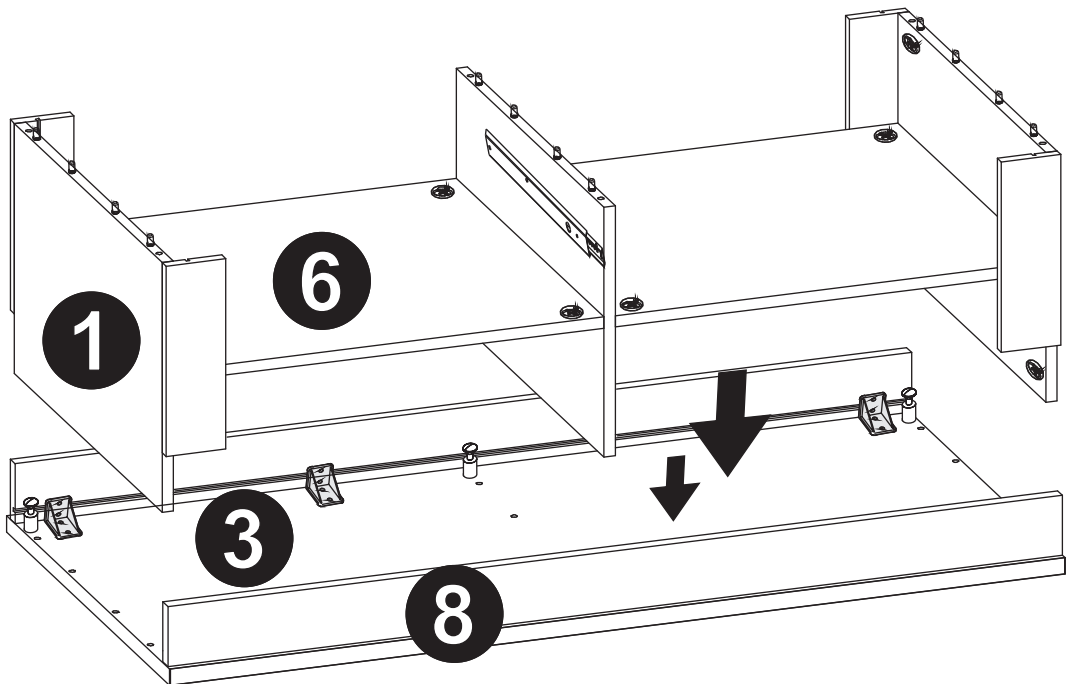
STEP 10



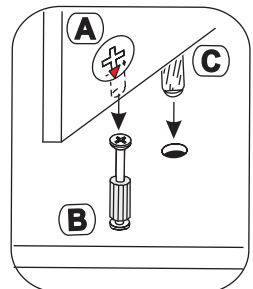
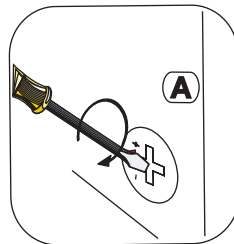

16x
3,5x13mm
K
SCREW



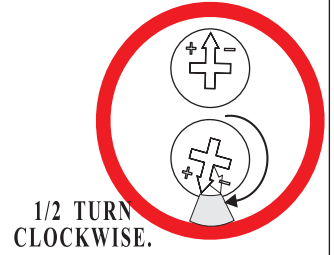
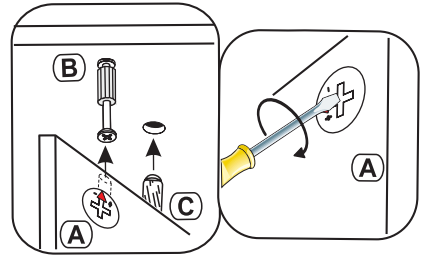
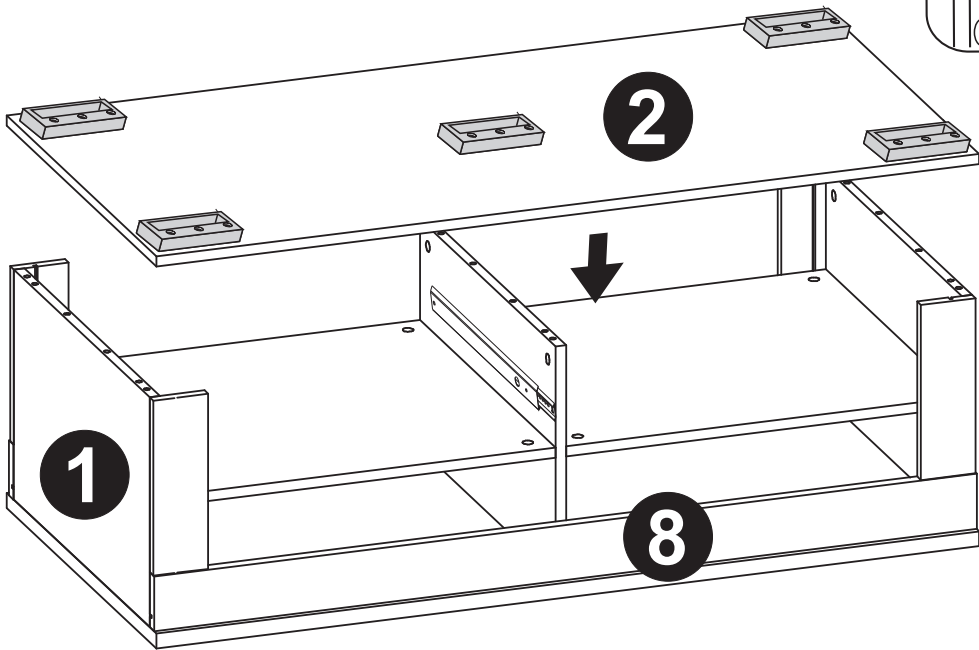
STEP 11



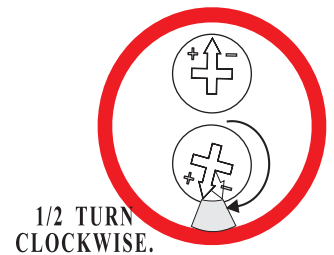
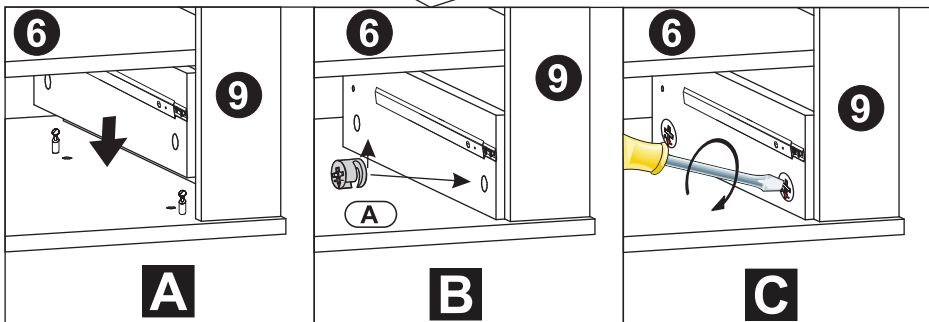
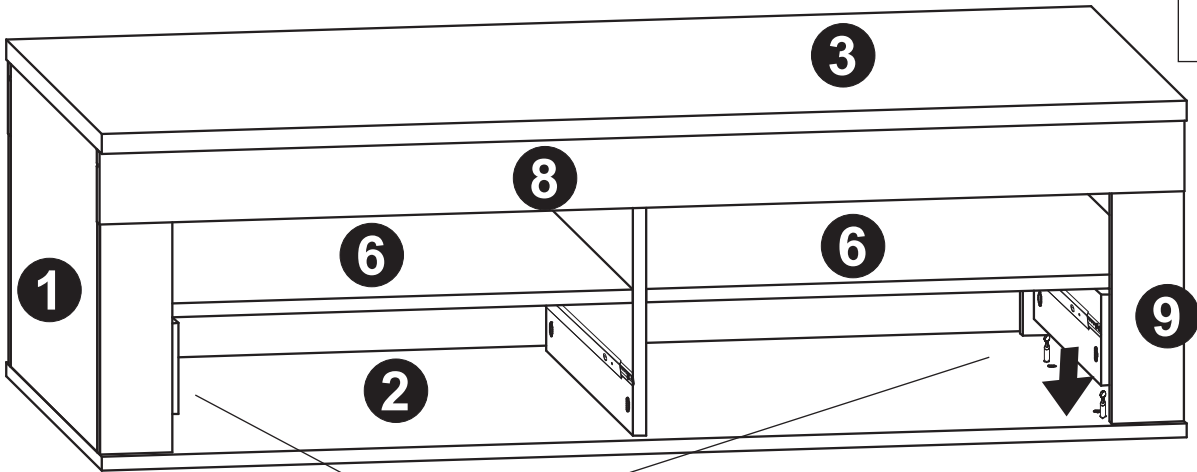
1/2 TURN
CLOCKWISE.



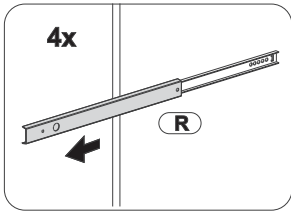
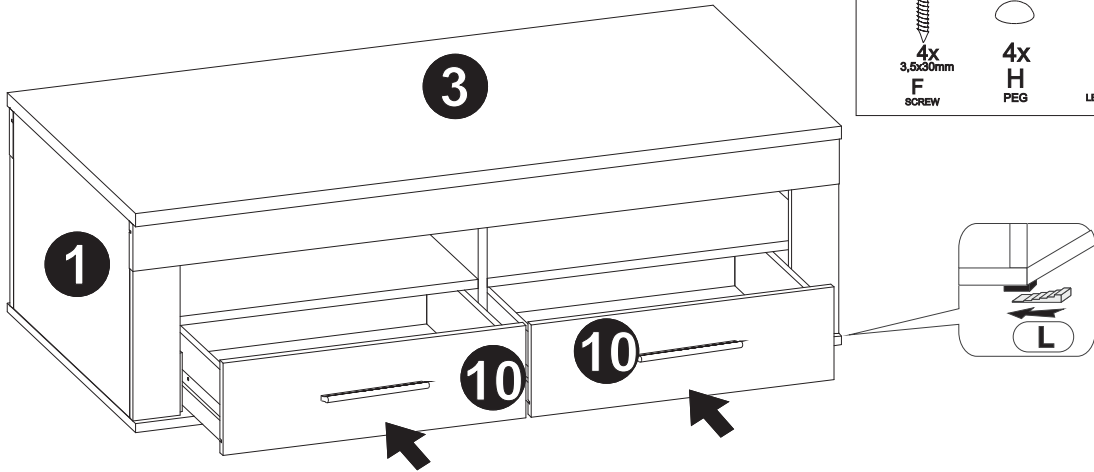
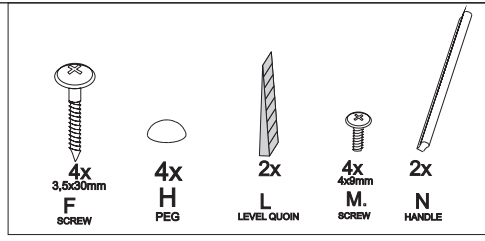
STEP 12



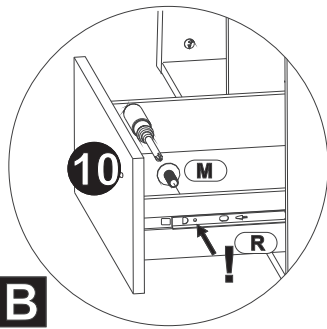
STEP 13



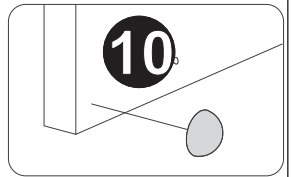
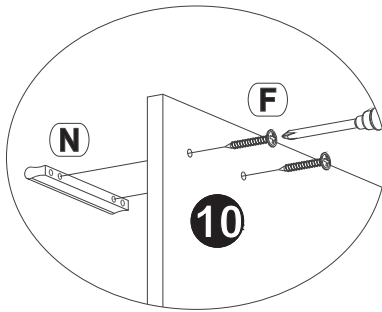
STEP 14



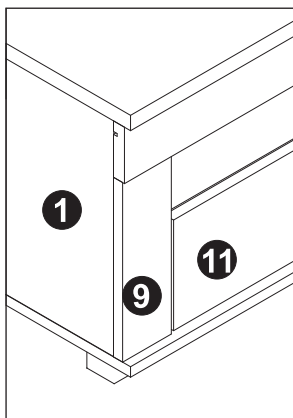
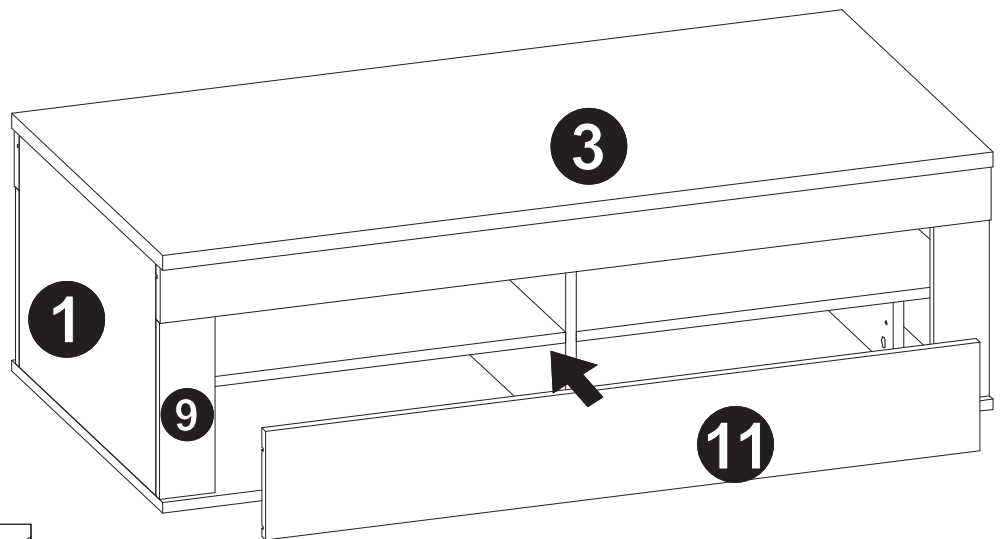
A



B



STEP 15



STEP 16

20x
D
ADHESIVE
CAM COVER

