

# ASSEMBLY INSTRUCTION

## DESCRIPTION: Type 852 BOOM HIGHBOARD

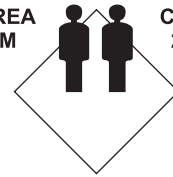
### 2.5 hrs

APPROXIMATE ASSEMBLY TIME  
EXCLUDING GLUE SETTING TIME

2 PERSON ASSEMBLY

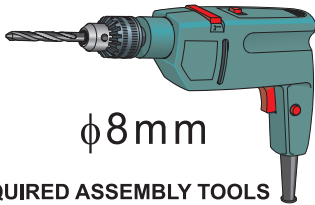


FLOOR AREA  
2,5M X 2,5M



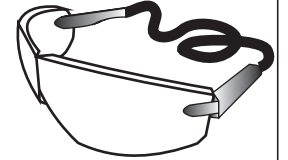
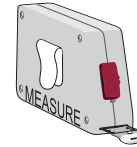
CEILING HEIGHT  
2,0M

REQUIRED ASSEMBLY SPACE



$\phi 8\text{mm}$

REQUIRED ASSEMBLY TOOLS



ASSEMBLED DIMENSIONS

### PACK 1

CONSISTS OF PARTS :

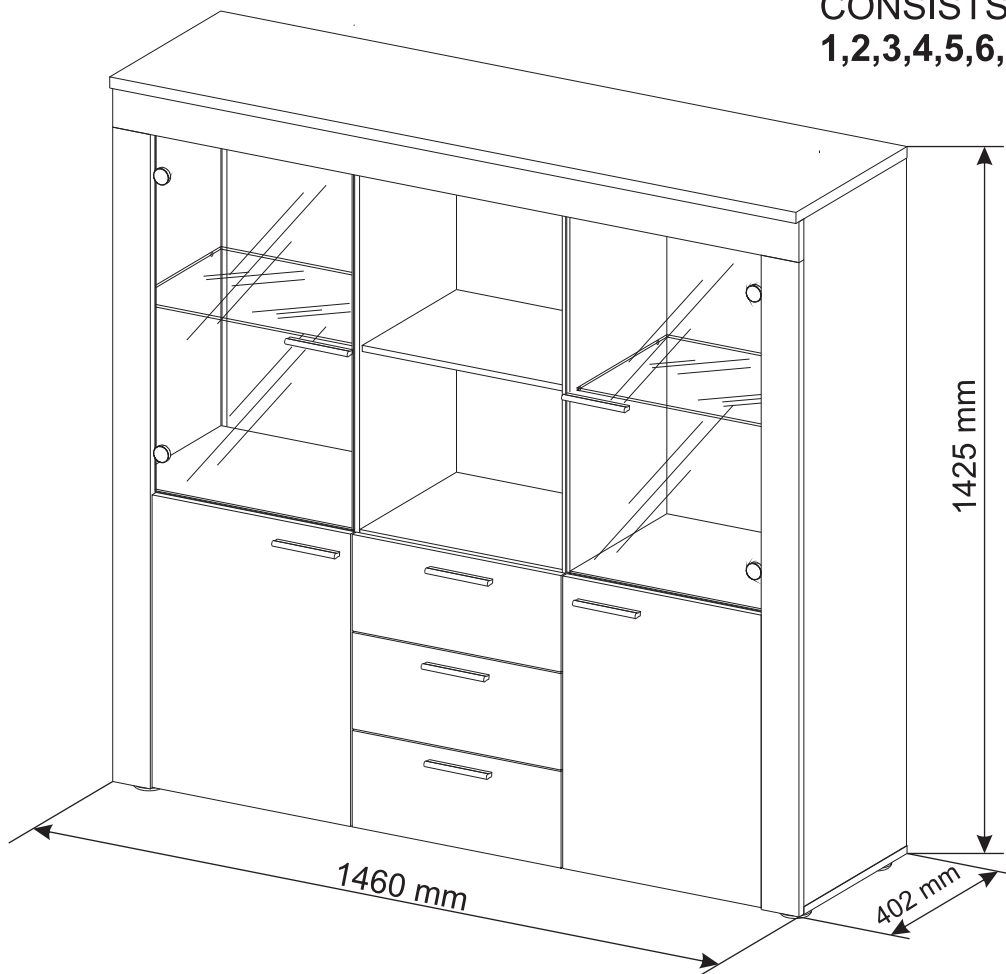
7,8,14,15,16,17,18,19

Fittings

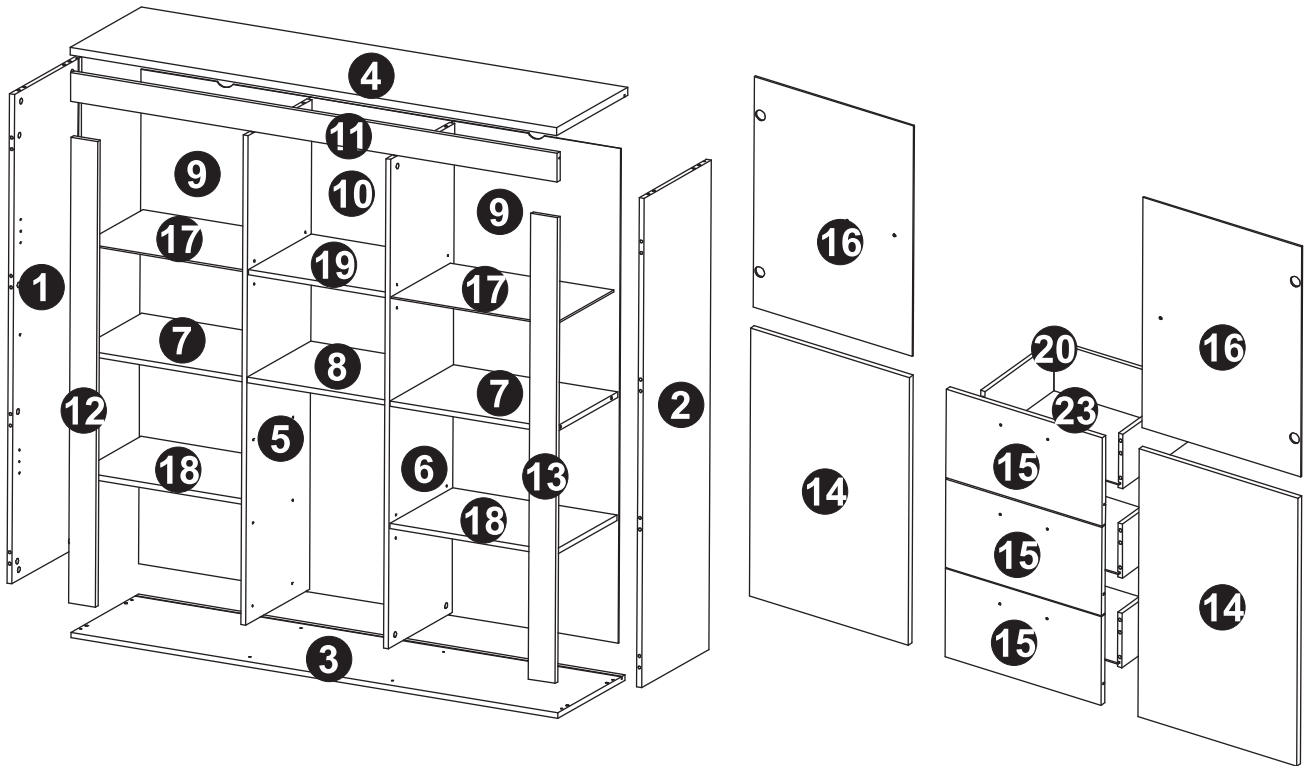
### PACK 2

CONSISTS OF PARTS :

1,2,3,4,5,6,9,10,11,12,13,20,24



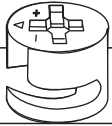



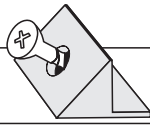
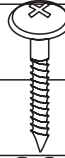
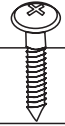
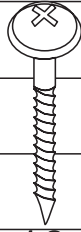
# PART LIST

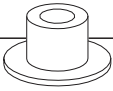


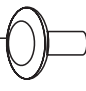
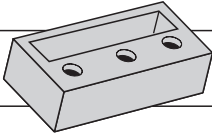

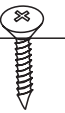


NO. PARTS LIST	QTY	NO. PARTS LIST	QTY
(1) LEFT SIDE PANEL	1	(14) DOOR	2
(2) RIGHT SIDE PANEL	1	(15) DRAWER FRONT	3
(3) BOTTOM PANEL	1	(16) GLASS DOOR	2
(4) TOP PANEL	1	(17) GLASS SHELF	2
(5) LEFT DIVIDER	1	(18) SIDE SHELF	2
(6) RIGHT DIVIDER	1	(19) CENTER SHELF	1
(7) HORIZONTAL SIDE DIVIDER	2	(20) DRAWER PANEL	3
(8) HORIZONTAL DIVIDER	1	(23) DRAWER BOTTOM	3
(9) SIDE BACK PANEL	2		
(10) CENTER BACK PANEL	1		
(11) TOP PLINTH	1		
(12) LEFT PLINTH	1		
(13) RIGHT PLINTH	1		

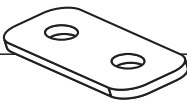

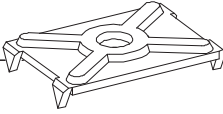

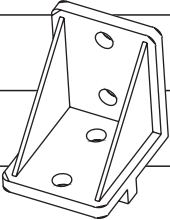
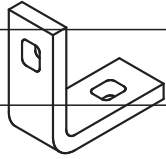
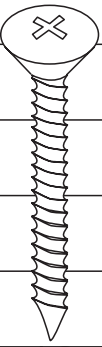


# HARDWARE LIST

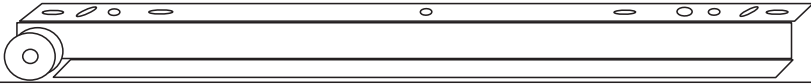
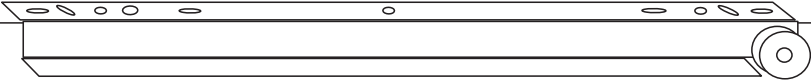
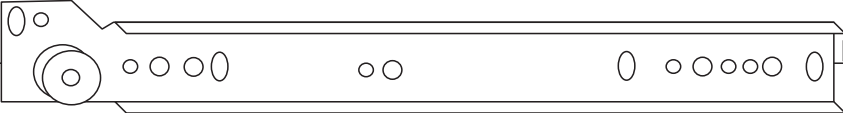
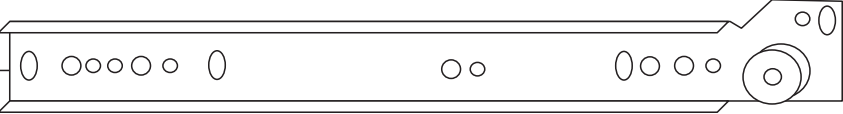
							
<b>36x</b> 15x12mm	<b>28x</b>	<b>16x</b> 8x28mm	<b>36x</b>	<b>23x</b>	<b>26x</b> 3x20mm	<b>4x</b> 4x16mm	<b>10x</b> 4x30mm
<b>A</b>	<b>B</b>	<b>C</b>	<b>D</b>	<b>E</b>	<b>F</b>	<b>F2</b>	<b>F3</b>
CAM LOCK	CAM BOLT	DOWEL	CAM COVER	SECURING BRACKET	SCREW	SCREW	SCREW

						
<b>4x</b>	<b>4x</b>	<b>4x</b>	<b>4x</b>	<b>6x</b> 1:2	<b>16x</b> 6,3x13mm	<b>48x</b> 3,5x13mm
<b>J</b>	<b>H</b>	<b>I</b>	<b>K</b>	<b>L</b>	<b>L1</b>	<b>M.</b>
SLEEVE GLASS	PEG	CAM BOLT	COVER f5	NYLON FOOT	GRUB SCREW	SCREW



						
<b>2x</b>	<b>12x</b> 6x8mm	<b>18x</b>	<b>7x</b> 1:2	<b>5x</b>	<b>2x</b>	<b>12x</b> 4x40mm
<b>Q</b>	<b>L2</b>	<b>N</b>	<b>O</b>	<b>P.</b>	<b>P2</b>	<b>S</b>
METAL PLATE	GRUB SCREW	METAL PLATE	HANDLE	SQUARE	SQUARE	SCREW

# HARDWARE LIST

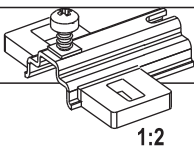
	<b>SLIDE B</b> ATTACH TO DRAWER BASE
	
<b>FRONT</b>  <b>BACK</b>	<b>SLIDE A</b> ATTACH TO CARCASS
<b>BACK</b>  <b>FRONT</b>	

3x Left / 3x Right

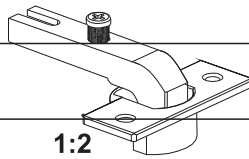
L=300

**R**

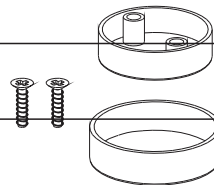
ROLLER RUNNER



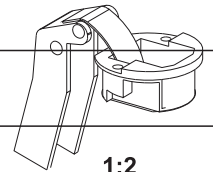
8x  
H-4  
**V1**  
HINGE PLATE



1:2  
4x  
kr90  
**W**  
HINGE



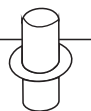
4x  
**D2**  
HINGE  
COVER



1:2  
4x  
kr90  
**W2**  
GLASS  
HINGE



2x  
**T**  
GLUE



12x  
5x16mm  
**Z**  
SHELF  
SUPPORT

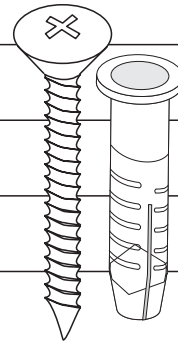


8x  
5x16mm  
**Z1**  
SHELF GLASS  
SUPPORT

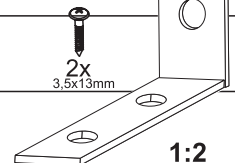


2x  
**X**  
LEVEL QUOIN

1:2



1x  
4x35mm  
**R**  
PLASTIC  
DOWEL



2x  
3,5x13mm  
1x  
**T**  
ANGLE

## **Top Tips before you start!**

1. Please check that all parts are present before you start the assembly of your furniture, as once assembled, the furniture is exempt from our home approval policy.
2. For ease and speed of assembly, we recommend that before you commence each step of the assembly, that you identify all the parts required for that step.
3. For larger items, please ensure that you have sufficient space and people ( as indicated on page 1) to assemble your product safely.
4. We recommend that, where possible, all items are assembled near to the area in which they will be placed in use, to avoid moving the product unnecessarily once assembled.
5. For the protection of your furniture, particularly items of high gloss finish, we recommend that the product is placed on a protected surface during assembly to prevent any damage.
6. During assembly please take care not to over-tighten any fittings, as this may damage the product .

## **Care and Maintenance of your Furniture**

Please periodically check all fittings and re-tighten as necessary.

Please do not sit or stand on this item.

Never allow any kind of liquid to remain on your furniture. Absorption can cause wood to warp or finishes to de-laminate.

Please do not drag and pull your furniture.

# SPECIAL TIPS FOR FITTING CAM-LOCKS AND CAM-PILLARS

## CAM-LOCK



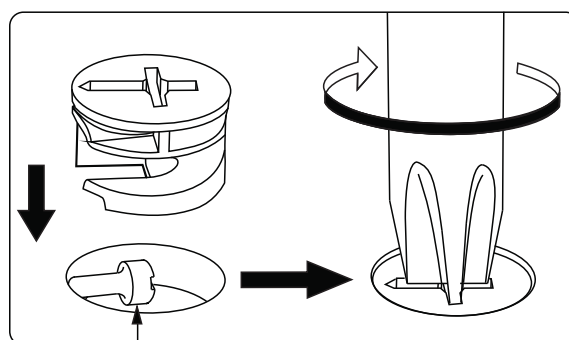
WHEN FITTING CAMS  
ENSURE STARTING POSITION IS CORRECT  
BEFORE YOU INSERT CONNECTING CAM-PILLAR  
TURN CLOCKWISE UNTIL SECURE

✓ ✗

**CORRECT**

**WRONG**

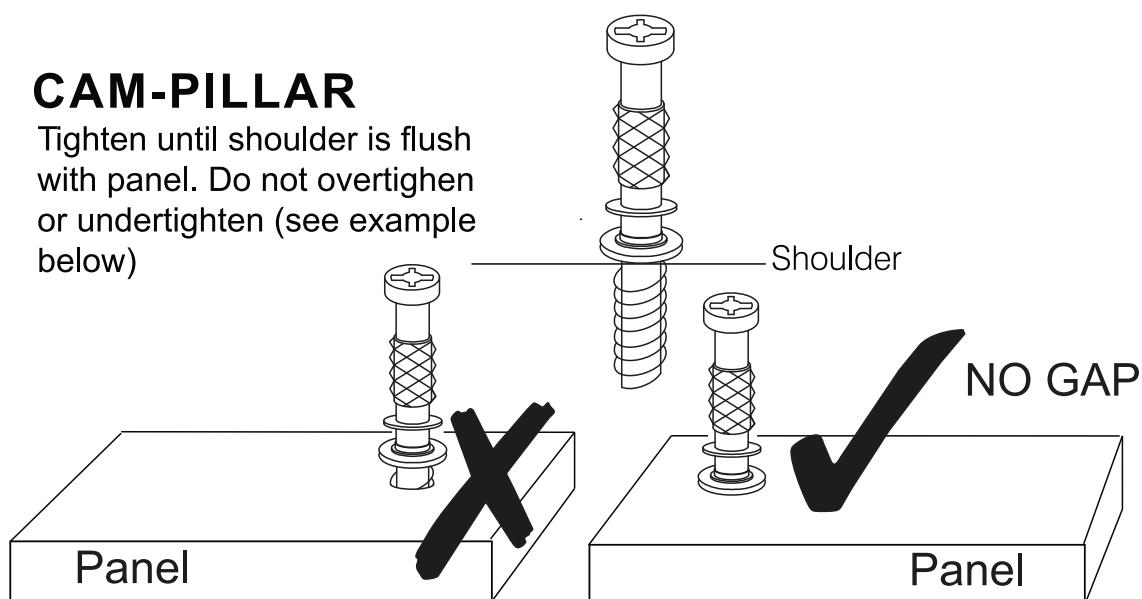
Align with long point of cross



Pillar head needs to be in centre

## CAM-PILLAR

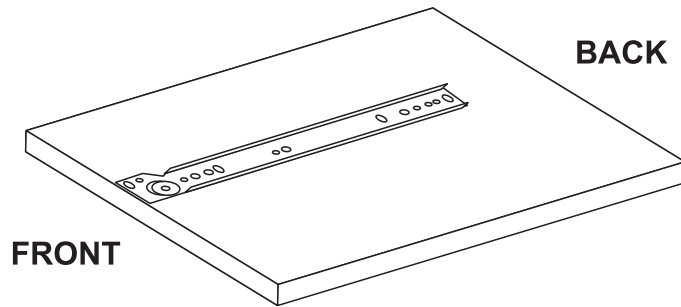
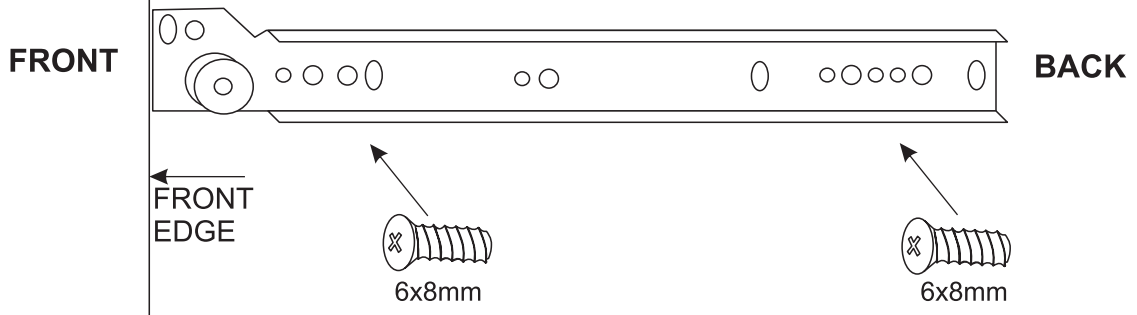
Tighten until shoulder is flush with panel. Do not overtighten or undertighten (see example below)



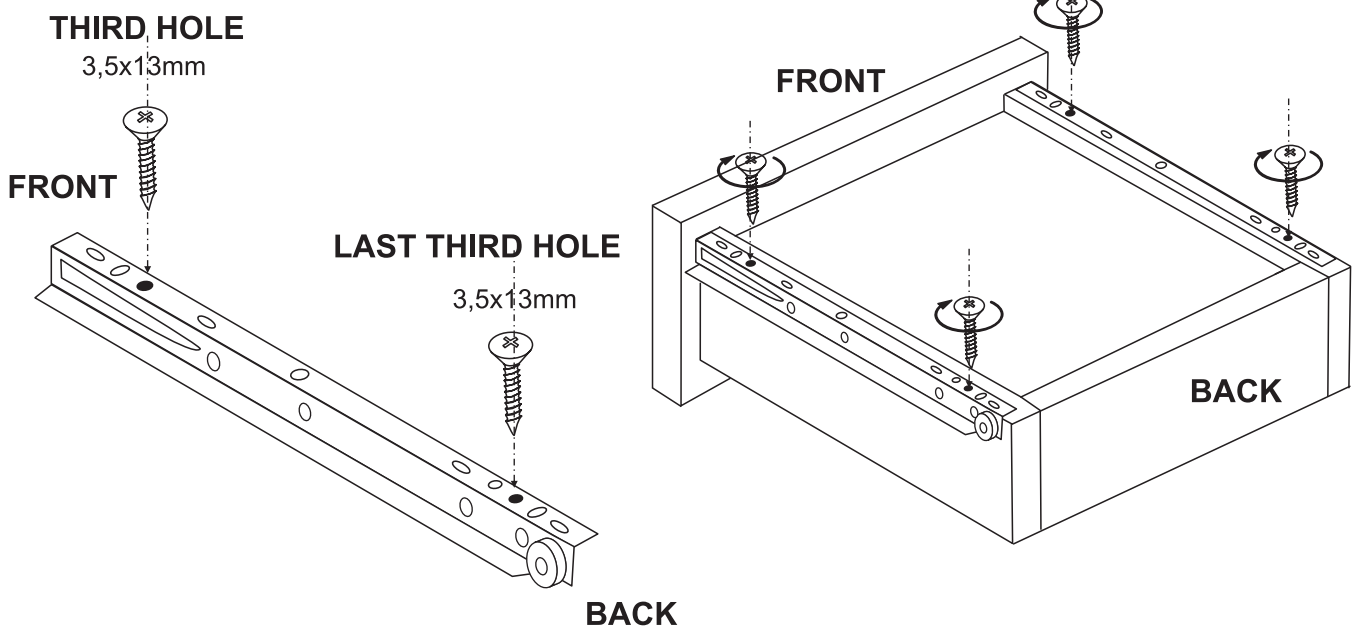
# ASSEMBLY INSTRUCTION FOR DRAWER SLIDE A&B

350mm

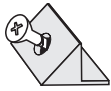
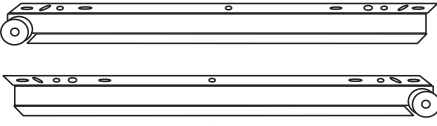


## SPECIAL TIPS FOR DRAWER SLIDE A

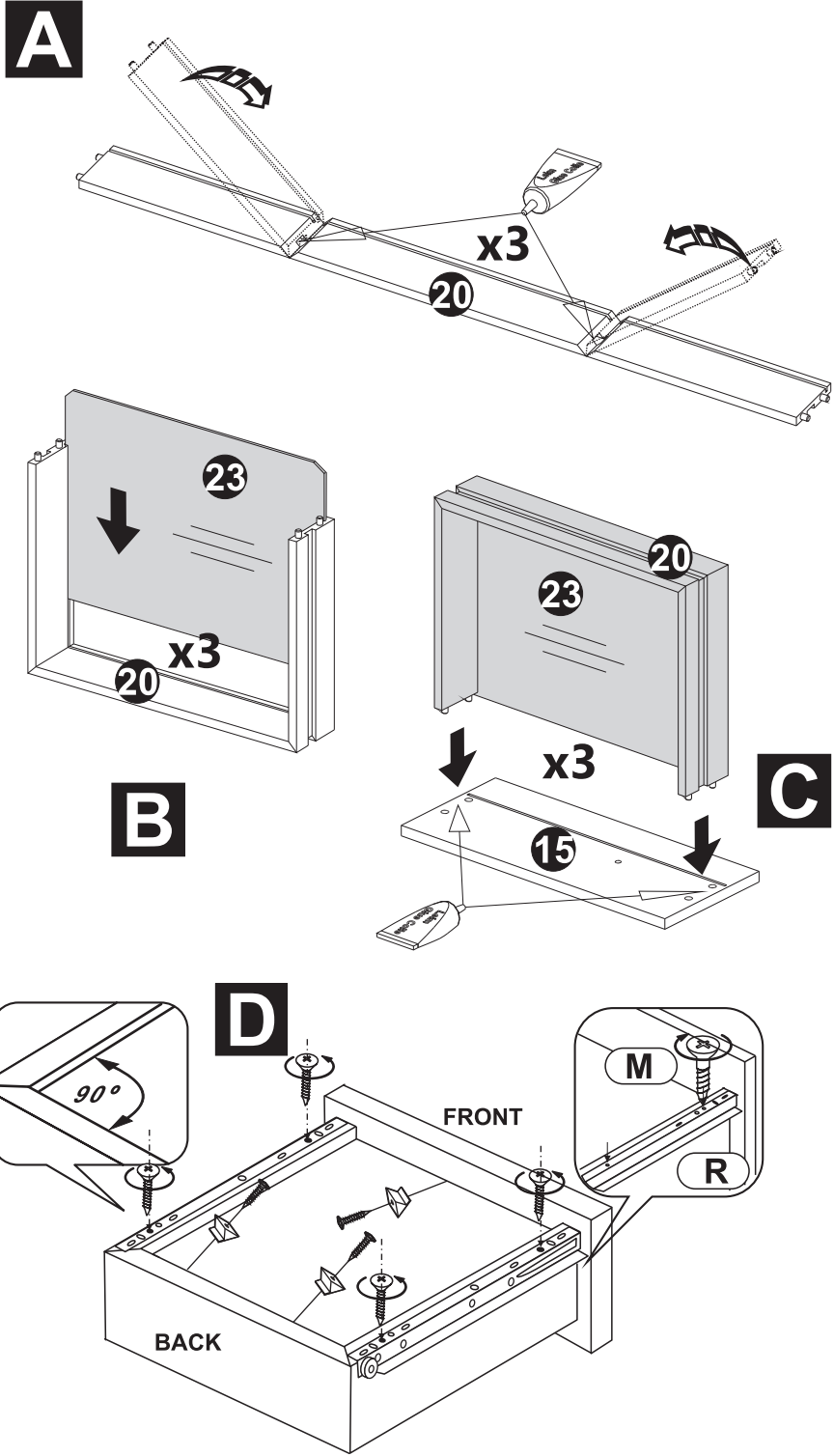


## SPECIAL TIPS FOR DRAWER SLIDE B



# STEP 1

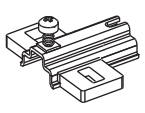


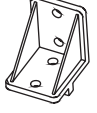

			
9x	3x Left / 3x Right L=300	12x 3,5x13mm	2x
E SECURING BRACKET	R ROLLER RUNNER	M SCREW	T GLUE

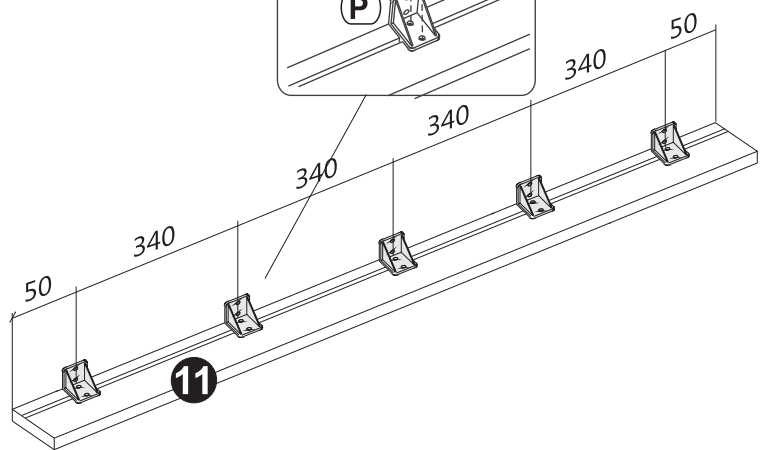
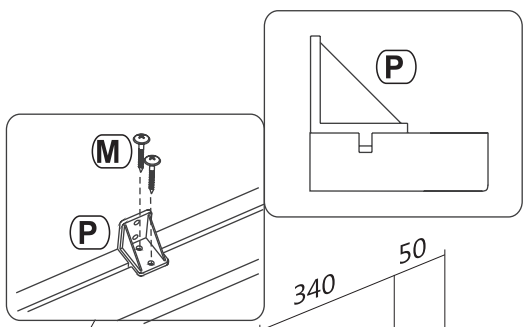
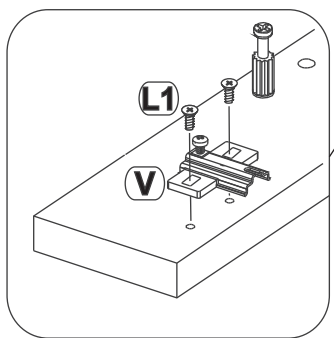
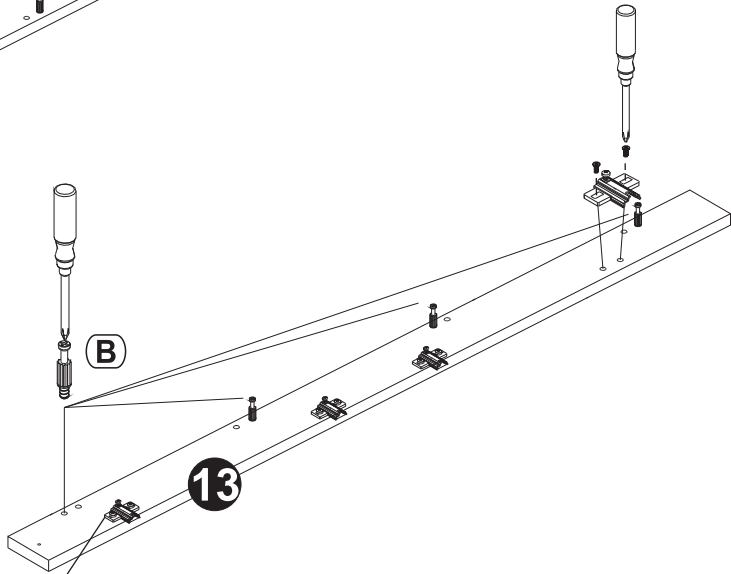
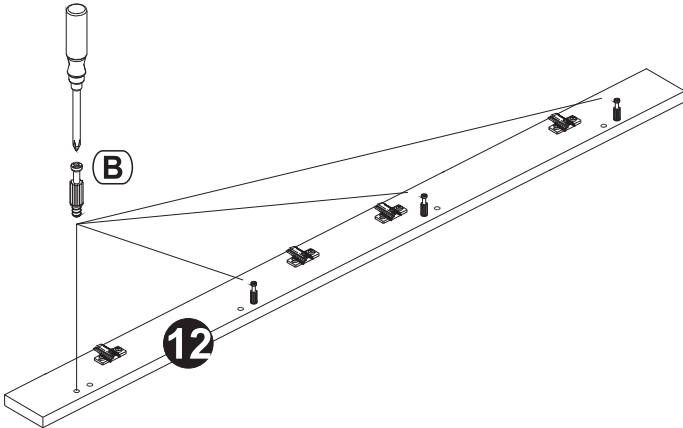


**ONCE DRAWER IS ASSEMBLED YOU MUST LEAVE FOR 1 HOUR TO ALLOW GLUE TO SET.**

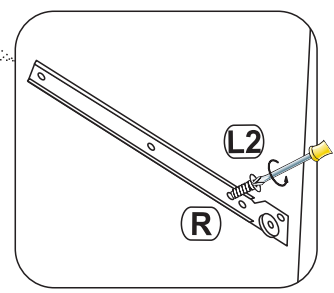
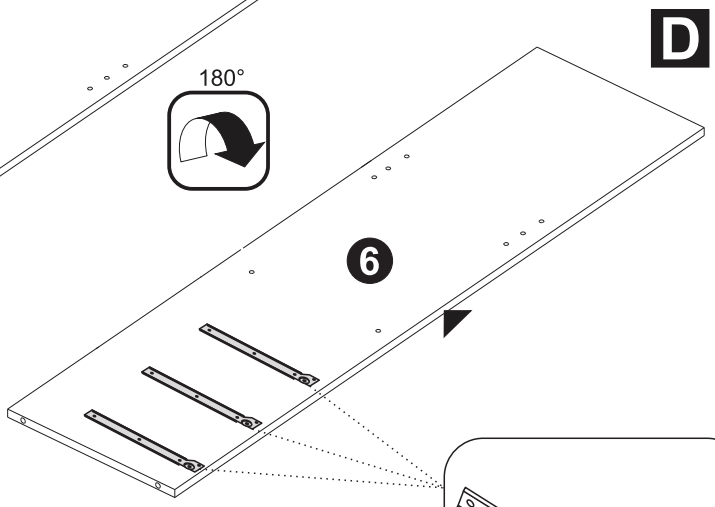
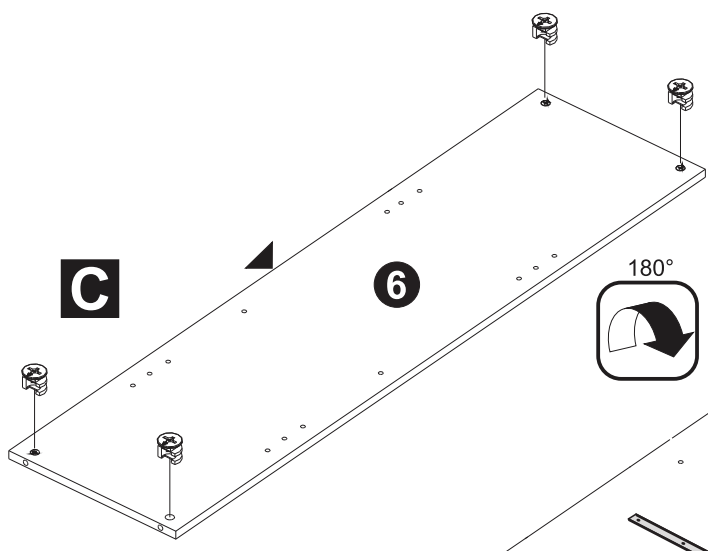
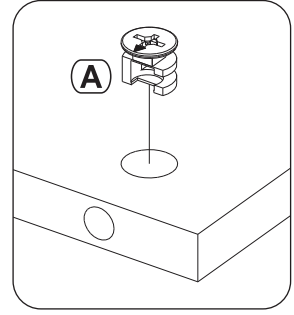
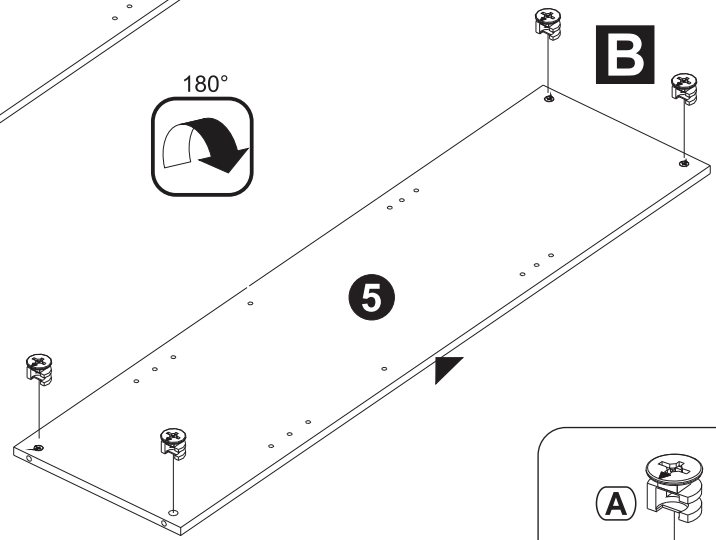
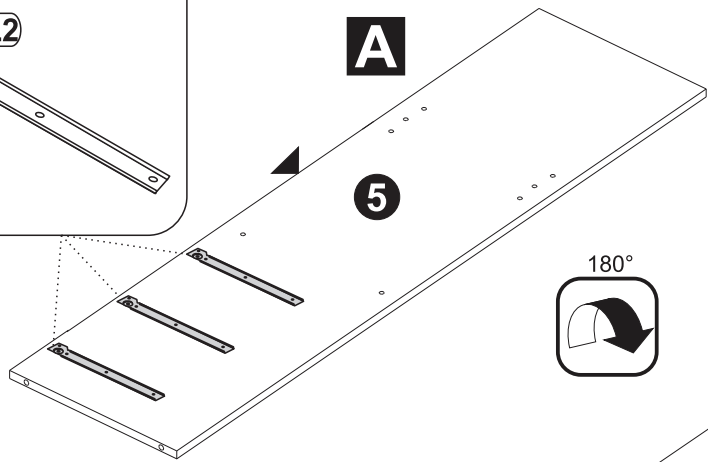
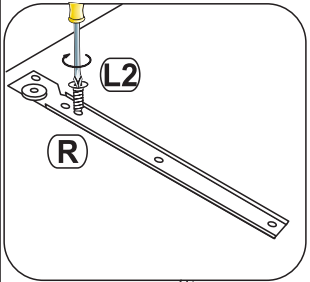
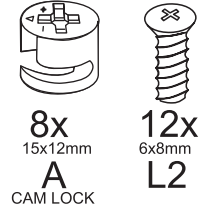
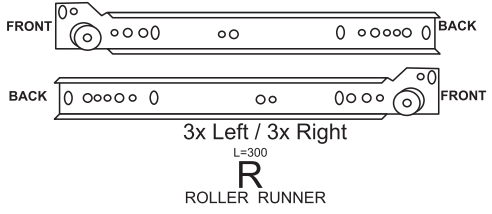


# STEP 2

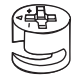


				
<b>8x</b> H-4 <b>V</b> HINGE PLATE	<b>10x</b> 3,5x13mm <b>M</b> SCREW	<b>16x</b> 6,3x13mm <b>L1</b> GRUB SCREW	<b>5x</b> <b>P</b> SQUARE	<b>8x</b> <b>B</b> CAM BOLT

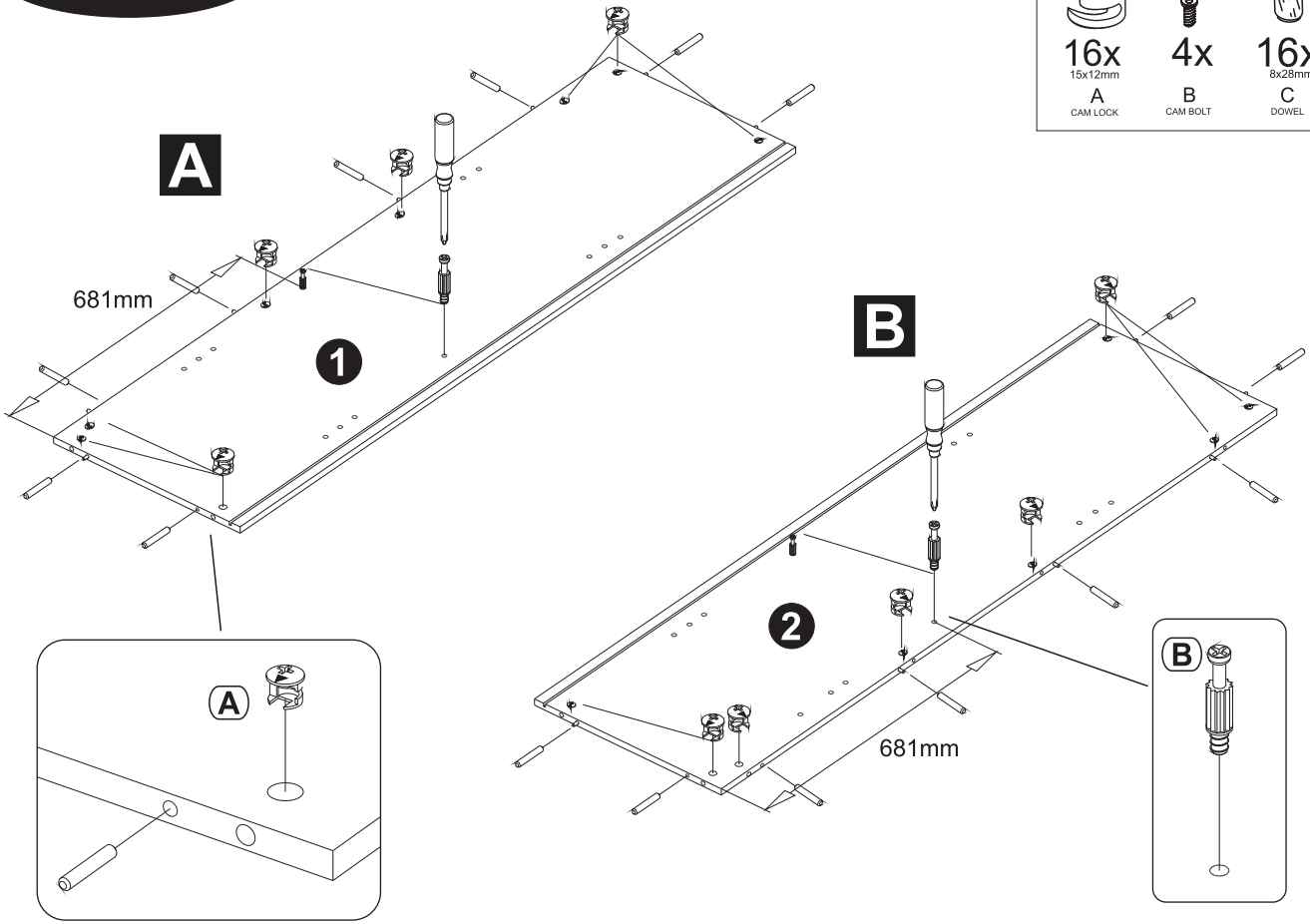


# STEP 3

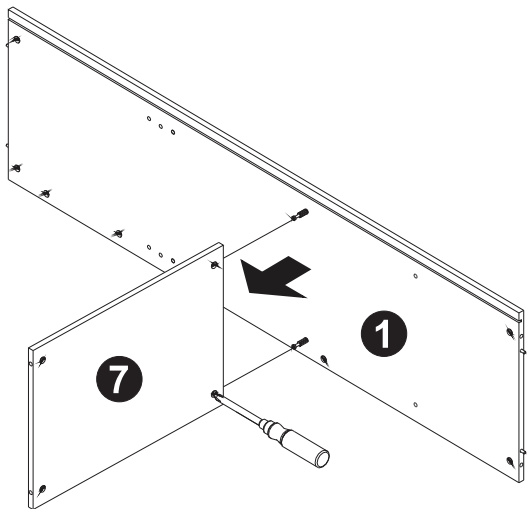
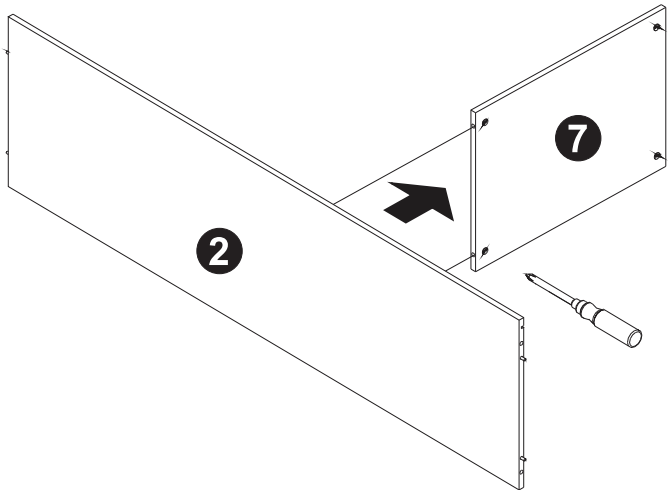
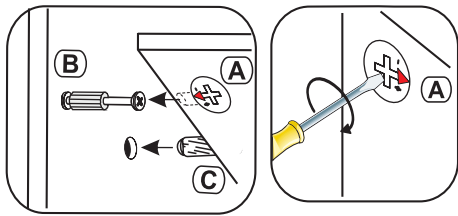


# STEP 6

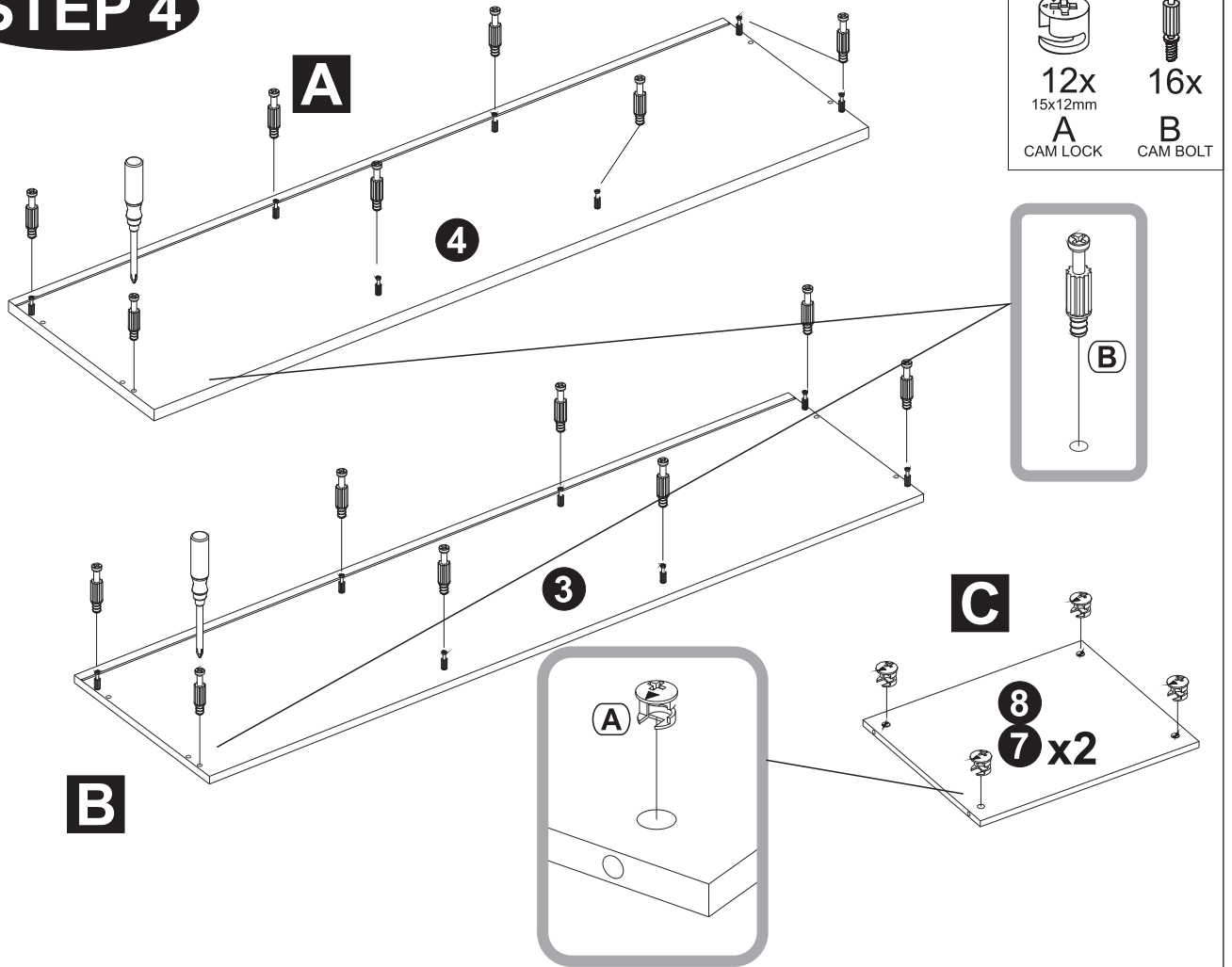
 <b>16x</b> 15x12mm <b>A</b> CAM LOCK	 <b>4x</b> <b>B</b> CAM BOLT	 <b>16x</b> 8x28mm <b>C</b> DOWEL
--	--	--



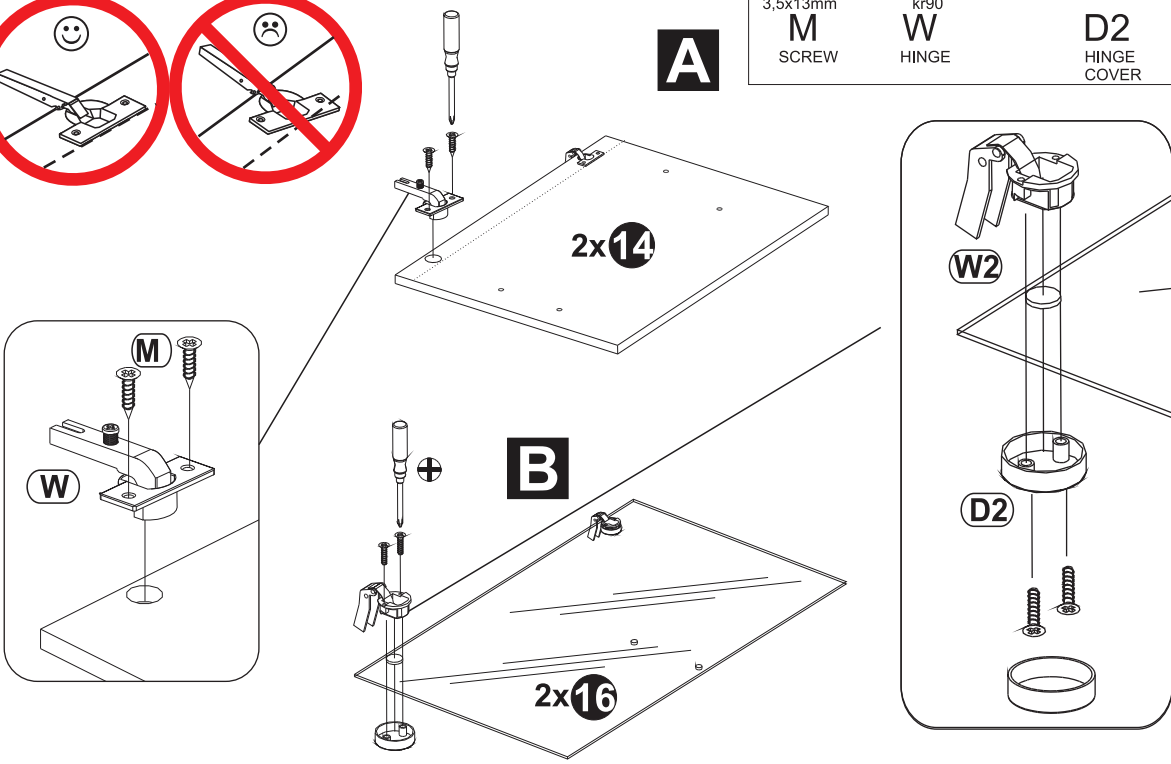
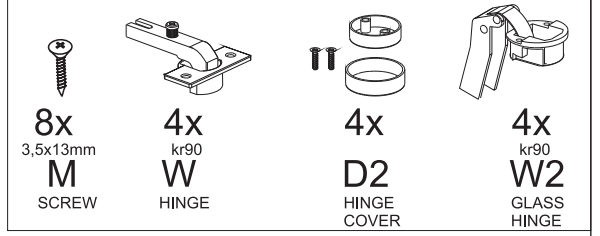
# STEP 7



# STEP 4

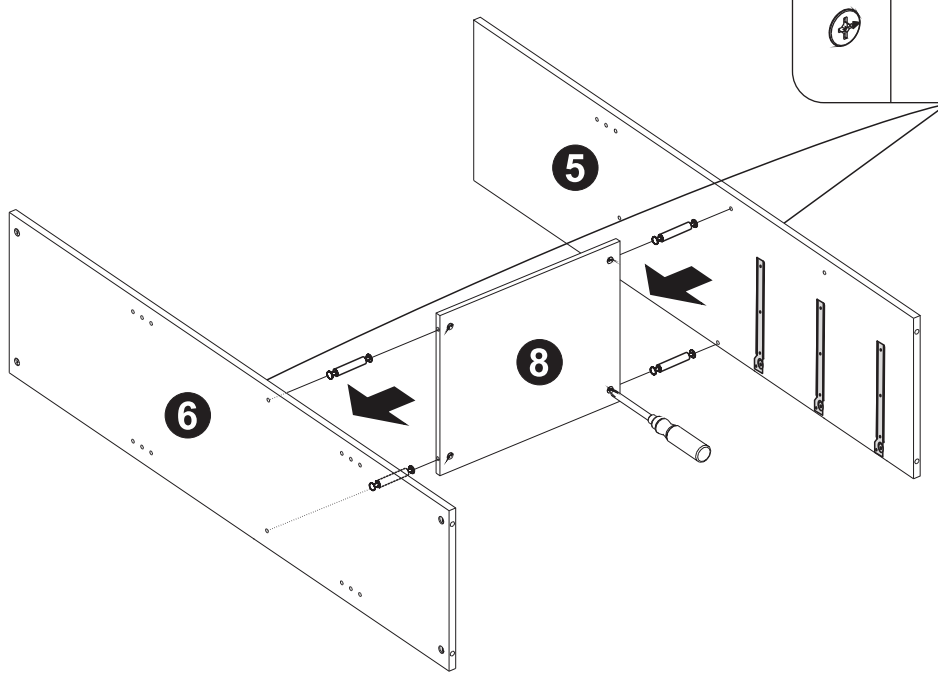


# STEP 5

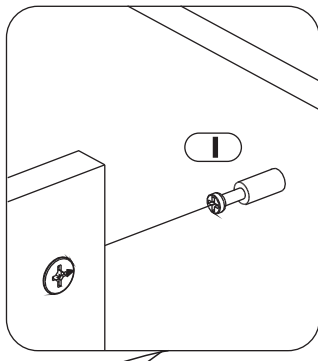


# STEP 8

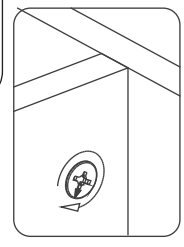
4x  
CAM BOLT



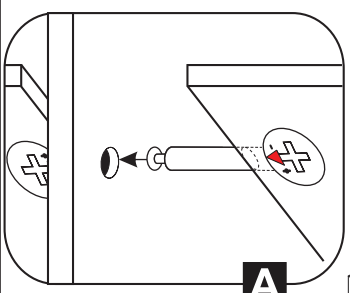
**A**



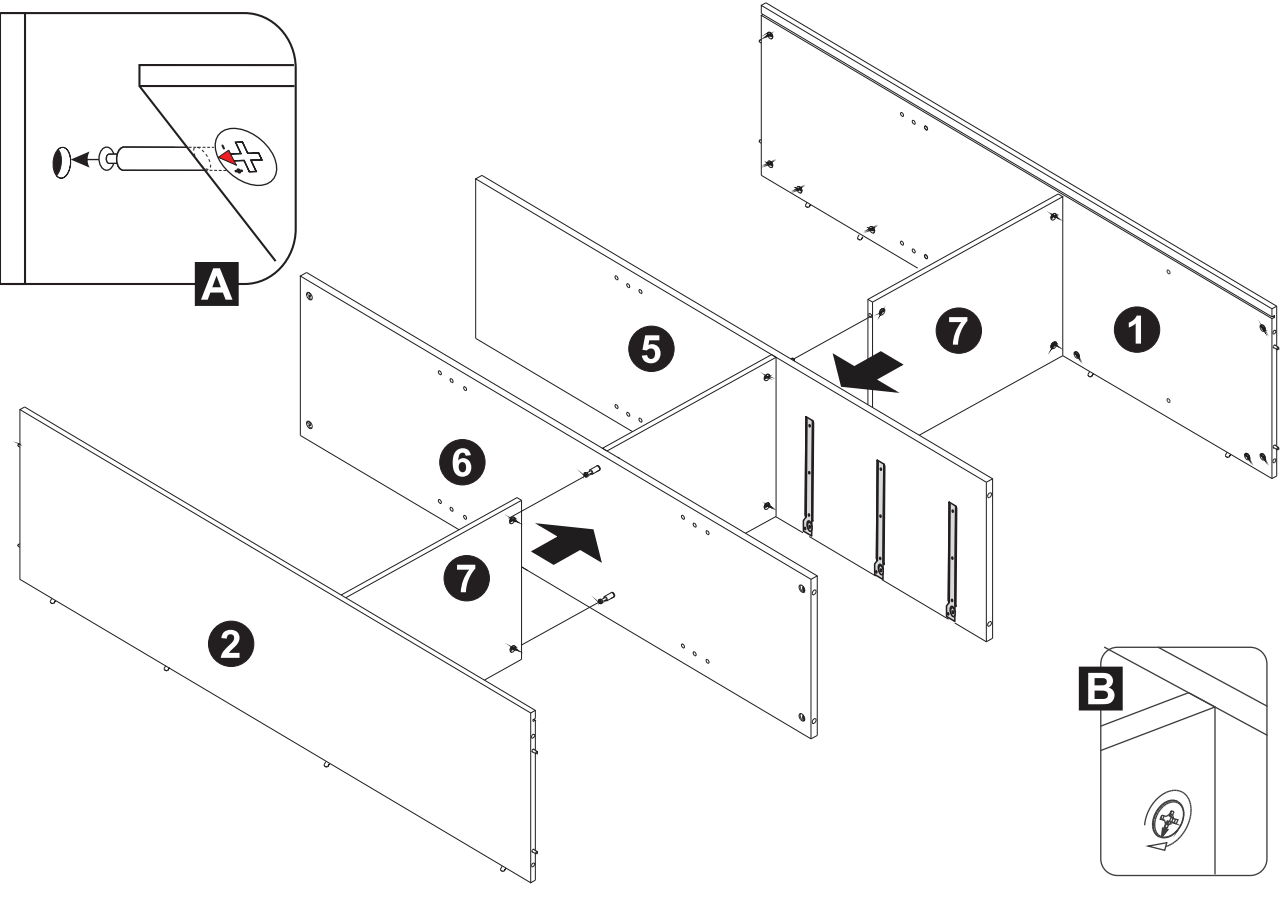
**B**



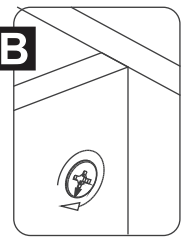
# STEP 9



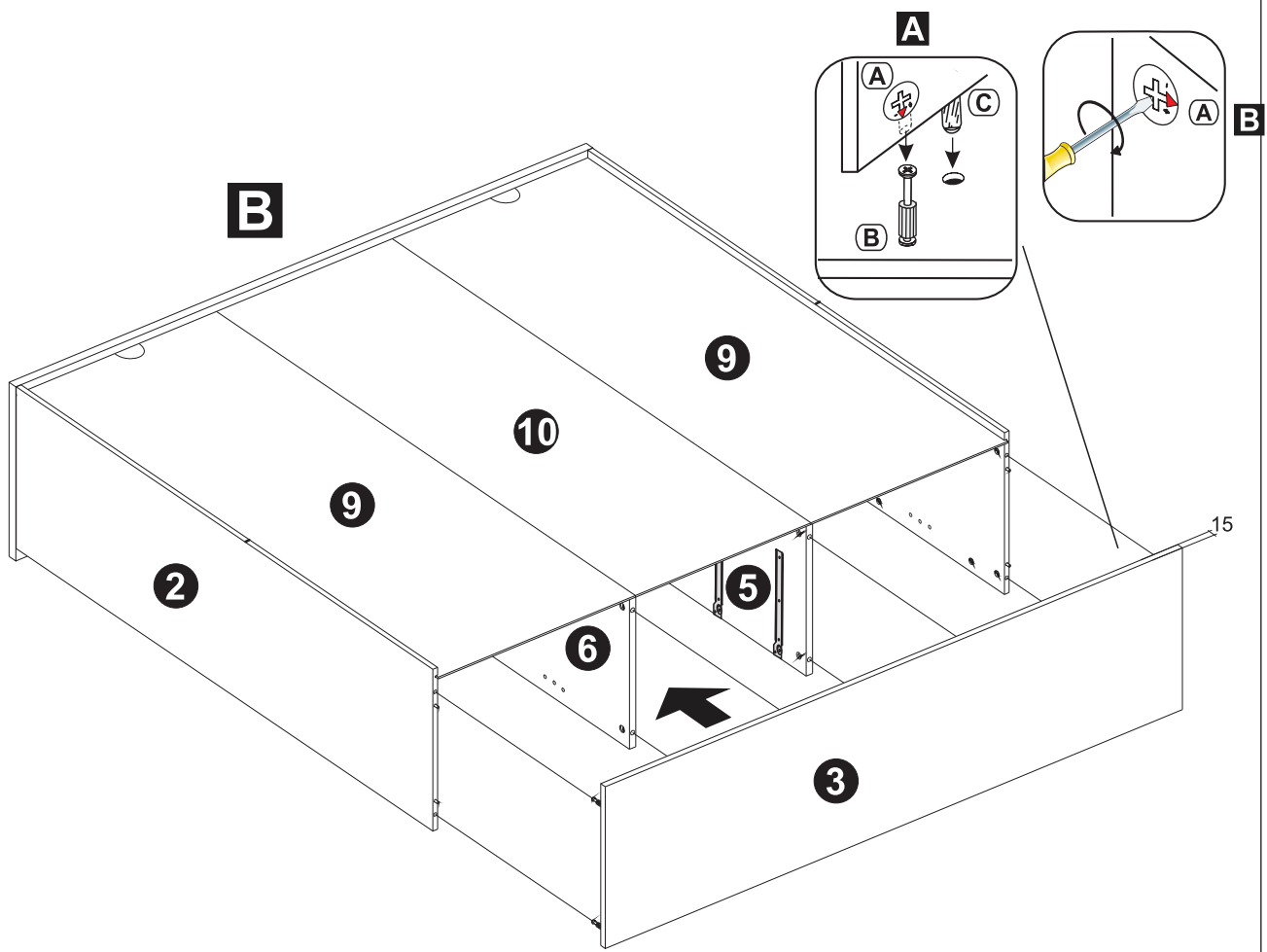
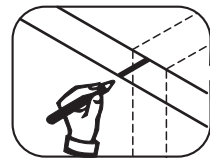
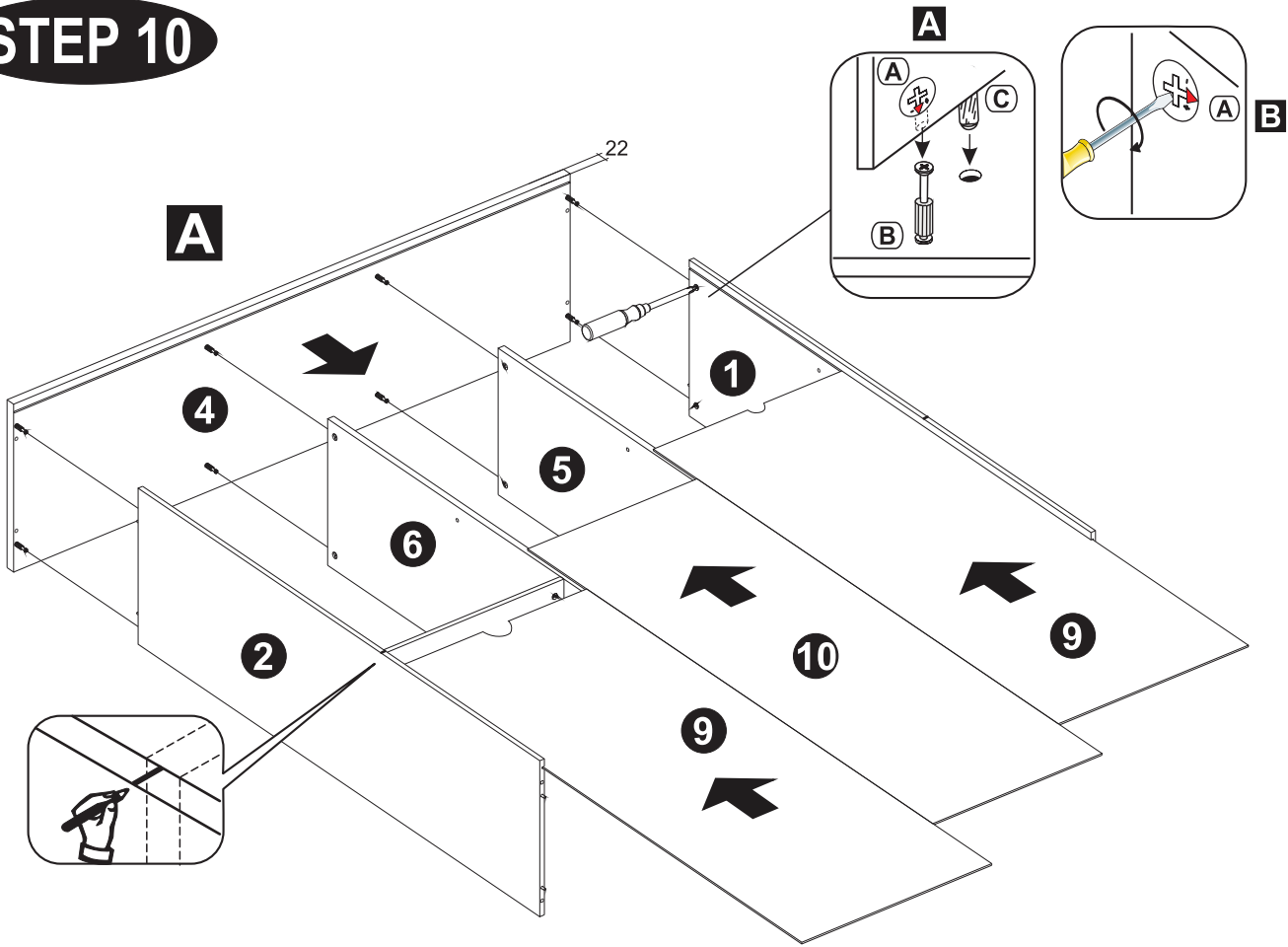
**A**







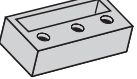
**B**

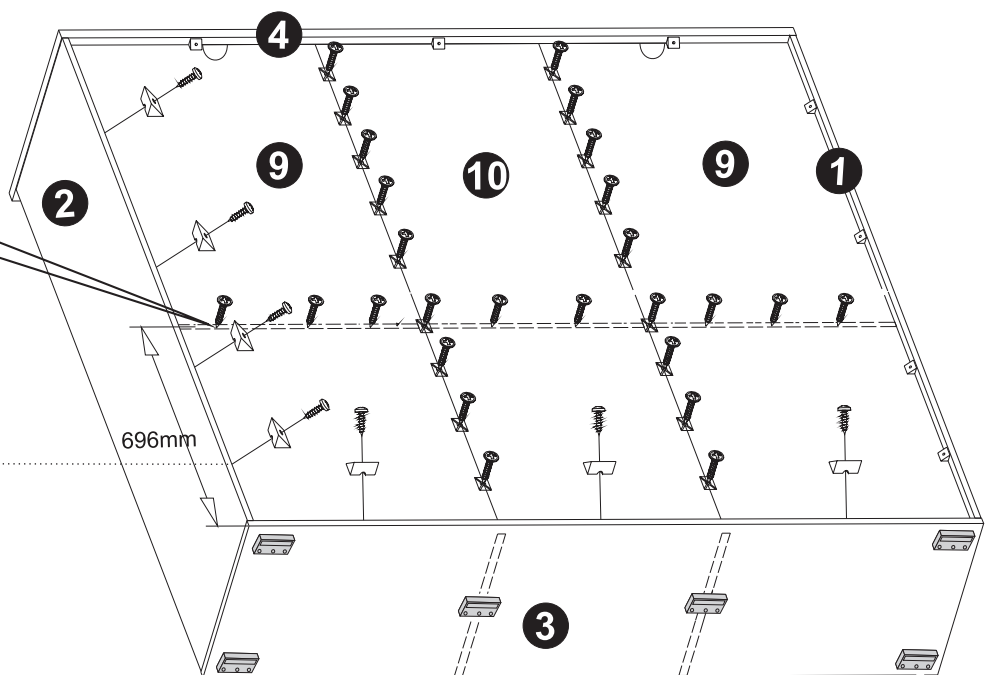
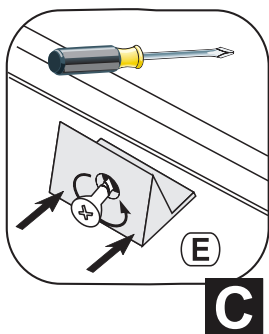
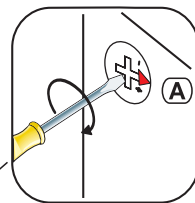
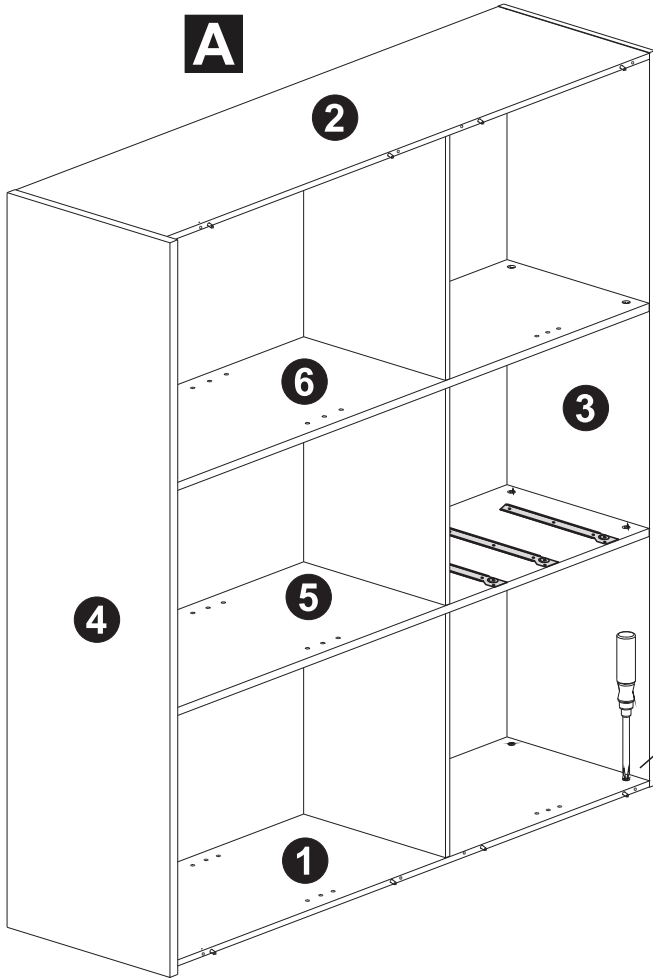


# STEP 10



# STEP 11

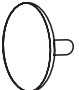

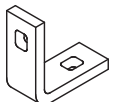

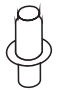
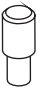
- |   |   |   |   |   |
|---|---|---|---|---|
|  |  |  |  |  |
| 18x<br>N<br>METAL<br>PLATE  | 26x<br>3x20mm<br>F<br>SCREW   | 14x<br>E<br>SECURING<br>BRACKET   | 12x<br>4x40mm<br>S<br>SCREW   | 6x<br>L<br>NYLON<br>FOOT  |

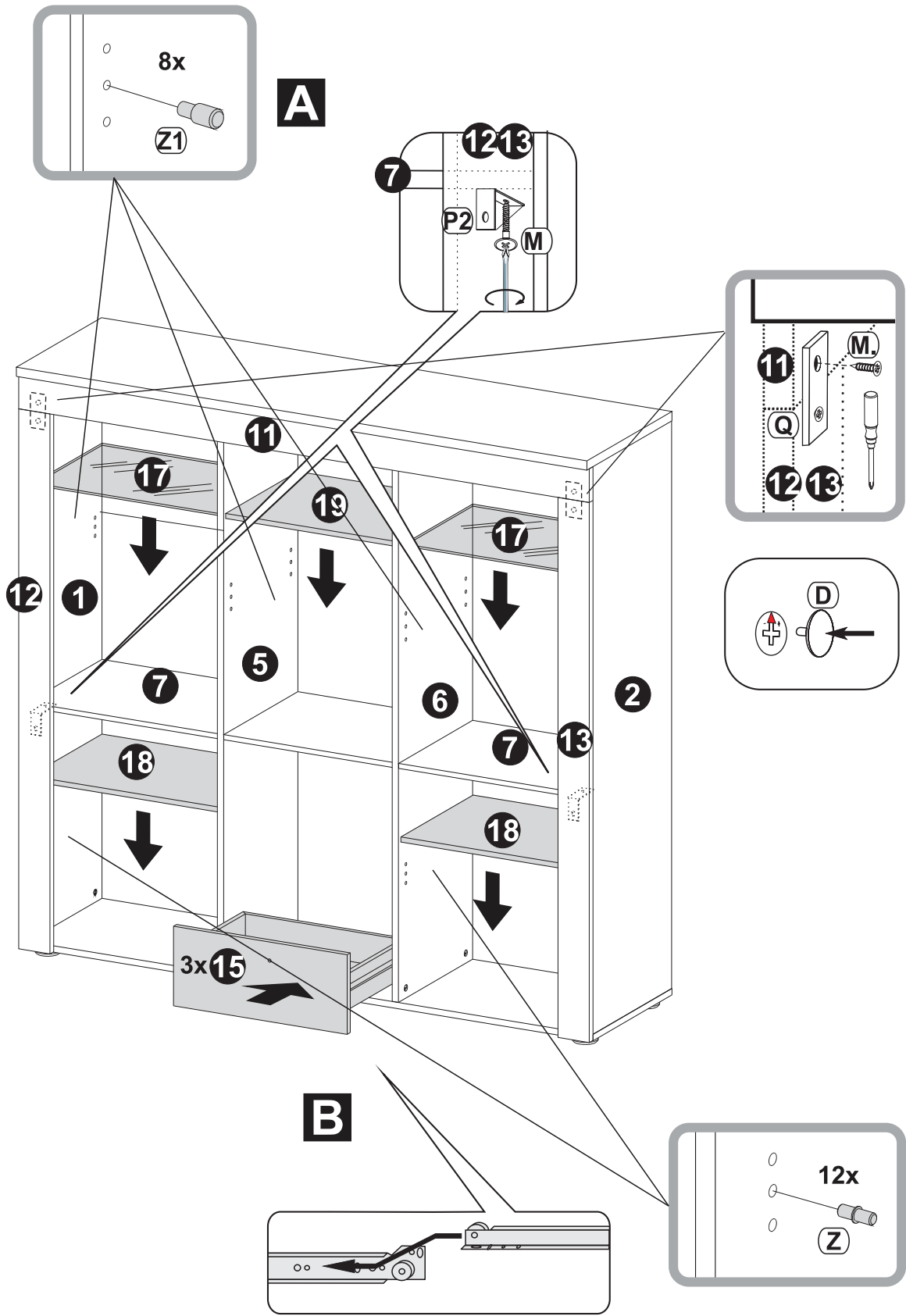






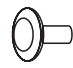
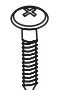


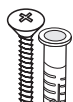




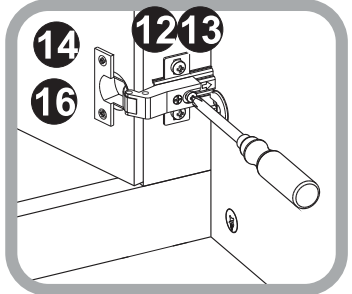
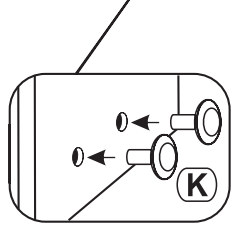
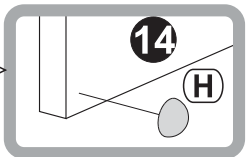
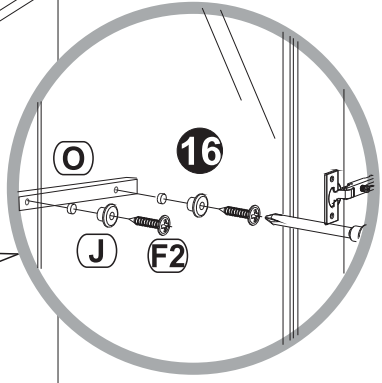
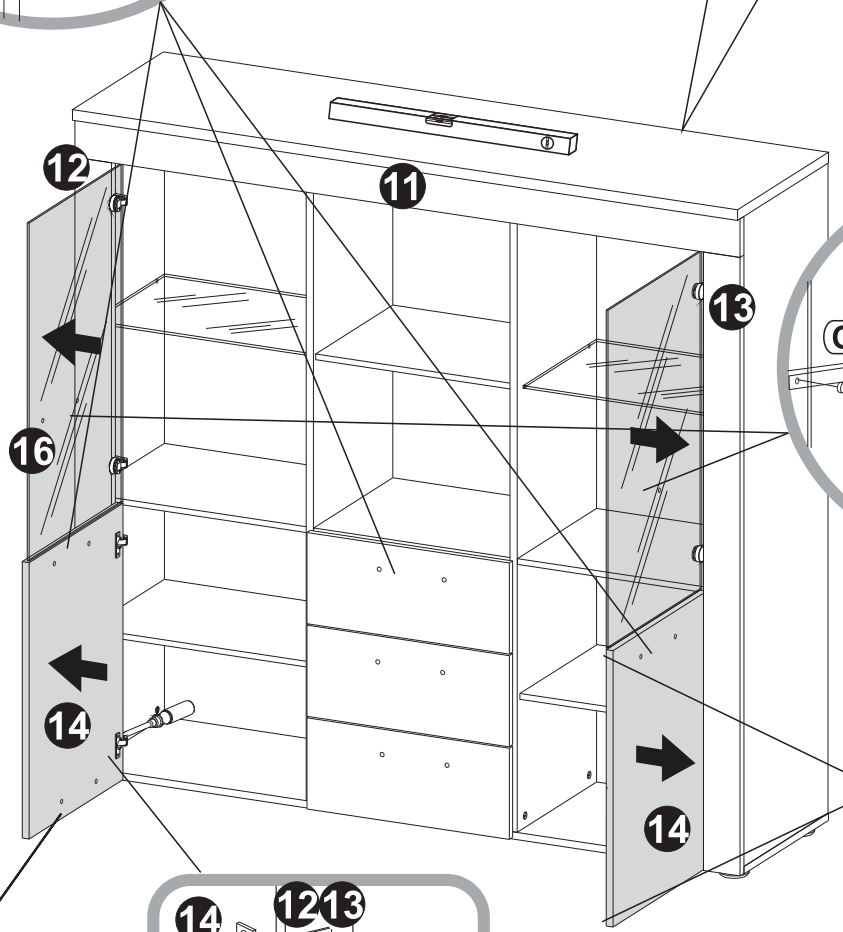
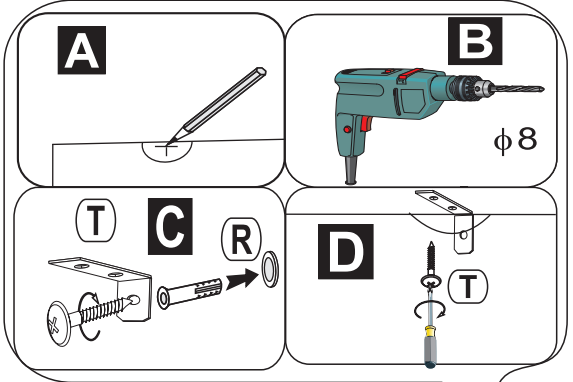
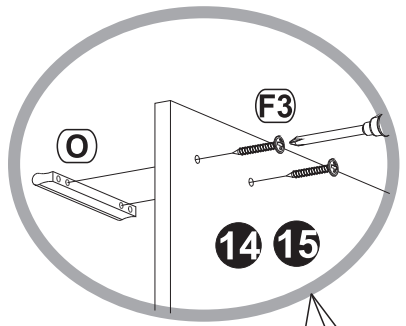
# STEP 13

					
36x	2x	2x	8x 3,5x13mm	12x 5x16mm	8x 5x16mm
D CAM COVER	Q METAL PLATE	P2 SQUARE	M SCREW	Z SHELF SUPPORT	Z1 SHELF GLASS SUPPORT



# STEP 14

- |   |   |   |  |   |   |   |   |   |
|---|---|---|--|---|---|---|---|---|
|  |  |  |  |  |  |  |  |  |
| 4x  | 4x  | 4x  | 4x   | 10x   | 7x  | 1x  | 1x  | 2x  |
| J   | H   | K   | F2   | F3  | O   | R   | T   | X   |
| SLEEVE  | PEG   | COVER   | SCREW  | SCREW   | HANDLE  | PLASTIC   | ANGLE   |   |
| GLASS   |   | f5  |  |   |   | DOWEL   |   |   |



# STEP 15

