

ASSEMBLY INSTRUCTION

DESCRIPTION: Type 112 BOOM

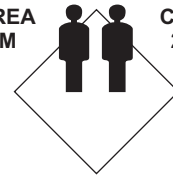
2.5 hrs

APPROXIMATE ASSEMBLY TIME
EXCLUDING GLUE SETTING TIME

2 PERSON ASSEMBLY

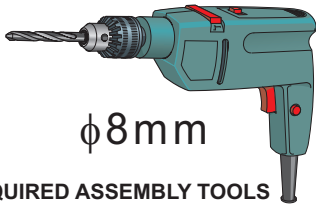


FLOOR AREA
2,5M X 2,5M



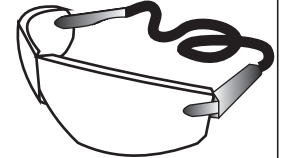
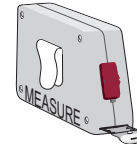
CEILING HEIGHT
2,0M

REQUIRED ASSEMBLY SPACE

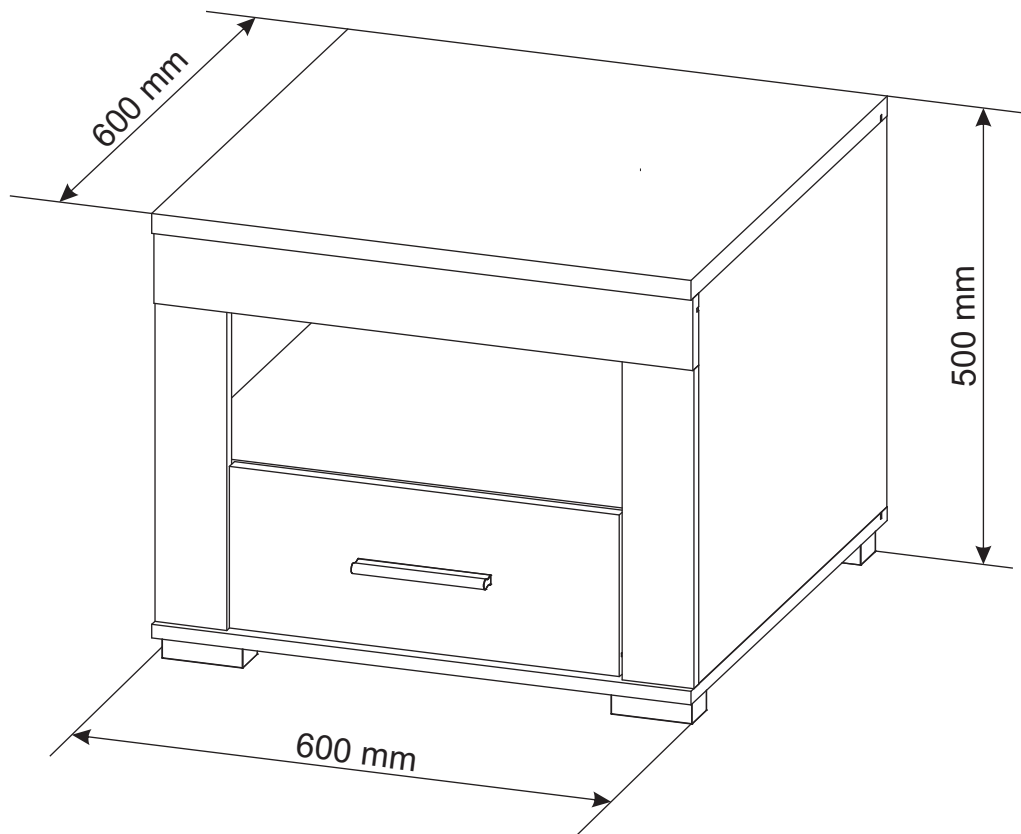


$\phi 8\text{mm}$

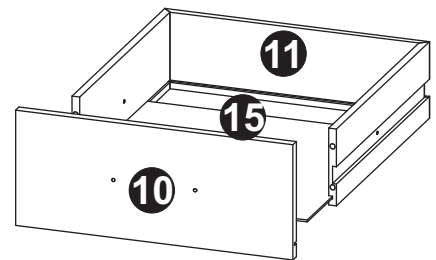
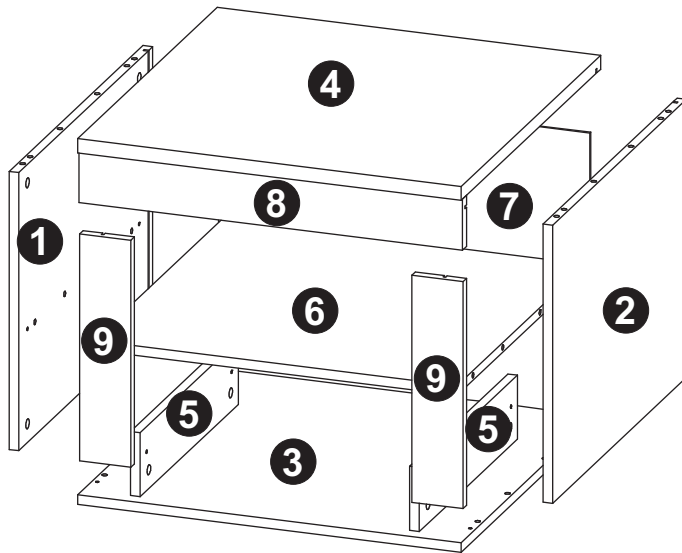
REQUIRED ASSEMBLY TOOLS



ASSEMBLED DIMENSIONS



PART LIST

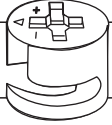



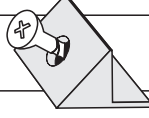
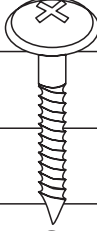




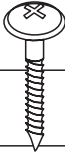
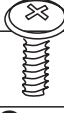



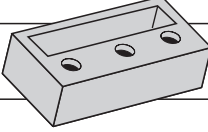

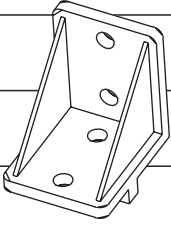
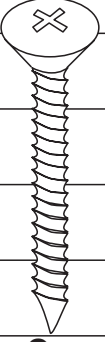
NO. PARTS LIST

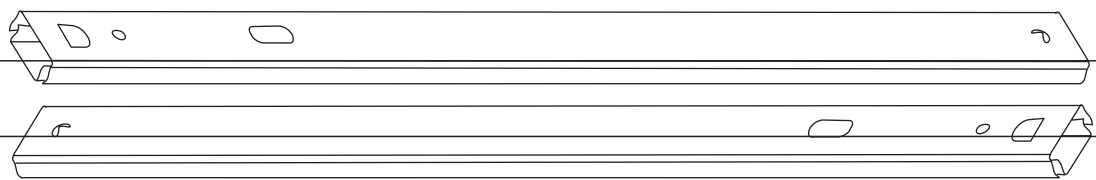
QTY

(1) LEFT SIDE PANEL	1
(2) RIGHT SIDE PANEL	1
(3) BOTTOM PANEL	1
(4) TOP PANEL	1
(5) LEFT/RIGHT DIVIDER	2
(6) HORIZONTAL DIVIDER	1
(7) BACK PANEL	1
(8) TOP PLINTH	1
(9) LEFT/RIGHT PLINTH	2
(10) DRAWER FRONT	1
(11) DRAWER PANEL	1
(12) DRAWER BOTTOM	1

HARDWARE LIST

							
16x 15x12mm	16x	28x 8x28mm	16x	6x	2x 3,5x30mm	4x 6x9,5mm	28x 3,5x13mm
A	B	C	D	E	F	G	M.
CAM LOCK	CAM BOLT	DOWEL	CAM COVER	SECURING BRACKET	SCREW	GRUB SCREW	SCREW

								
3x 3x20mm	2x 4x9mm	2x	1x	2x	4x 1:2	1x 1:2	7x	8x 4x40mm
F2	M2	X	W	H	L	O	P.	S
SCREW	SCREW	LEVEL QUOIN	GLUE	PEG	NYLON FOOT	HANDLE	SQUARE	SCREW



1x Left / 1x Right
L=310
R
BALL RUNNER

Top Tips before you start!

1. Please check that all parts are present before you start the assembly of your furniture, as once assembled, the furniture is exempt from our home approval policy.
2. For ease and speed of assembly, we recommend that before you commence each step of the assembly, that you identify all the parts required for that step.
3. For larger items, please ensure that you have sufficient space and people (as indicated on page 1) to assemble your product safely.
4. We recommend that, where possible, all items are assembled near to the area in which they will be placed in use, to avoid moving the product unnecessarily once assembled.
5. For the protection of your furniture, particularly items of high gloss finish, we recommend that the product is placed on a protected surface during assembly to prevent any damage.
6. During assembly please take care not to over-tighten any fittings, as this may damage the product .

Care and Maintenance of your Furniture

Please periodically check all fittings and re-tighten as necessary.

Please do not sit or stand on this item.

Never allow any kind of liquid to remain on your furniture. Absorption can cause wood to warp or finishes to de-laminate.

Please do not drag and pull your furniture.

SPECIAL TIPS FOR FITTING CAM-LOCKS AND CAM-PILLARS

CAM-LOCK



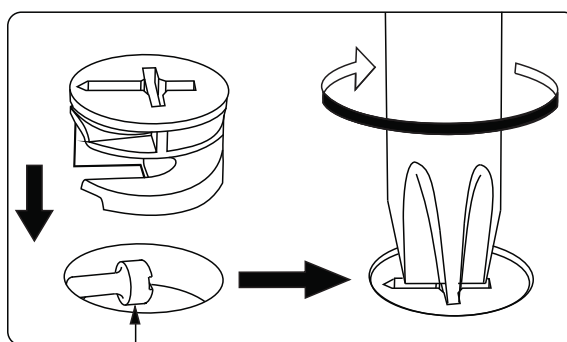
WHEN FITTING CAMS
ENSURE STARTING POSITION IS CORRECT
BEFORE YOU INSERT CONNECTING CAM-PILLAR
TURN CLOCKWISE UNTIL SECURE

✓ ✗

✗

CORRECT WRONG

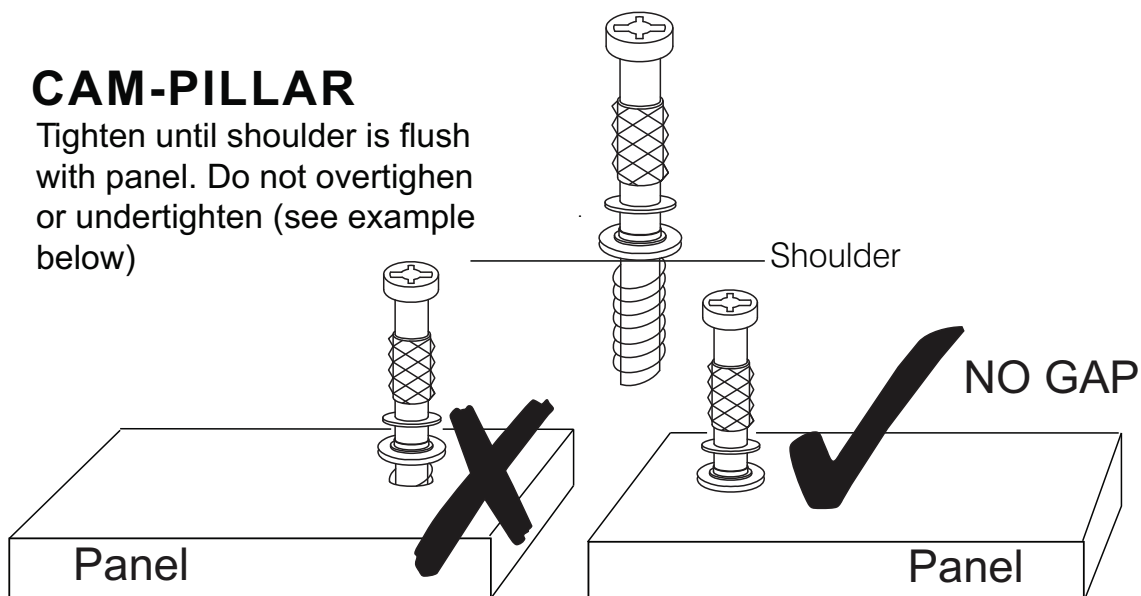
Align with long point of cross



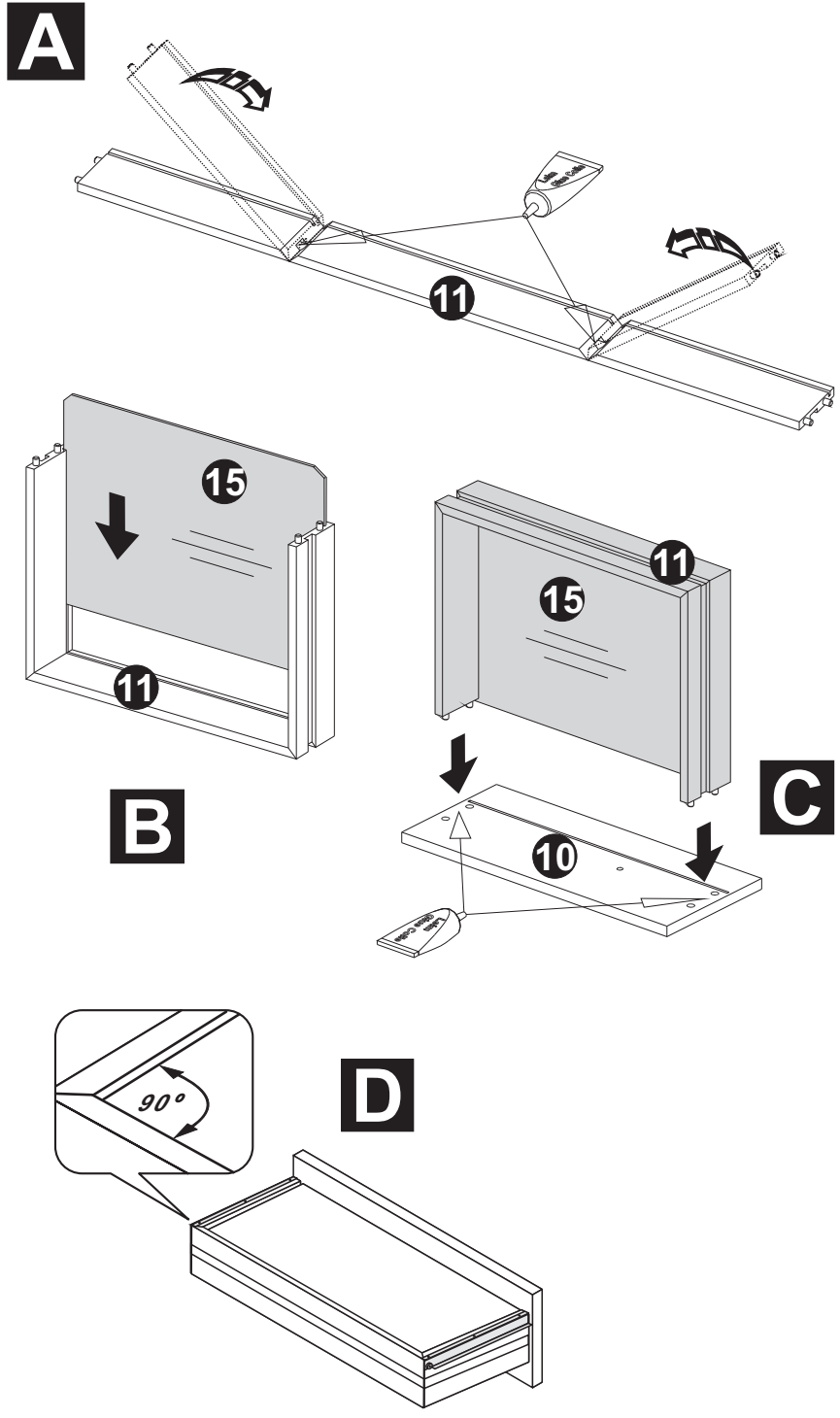
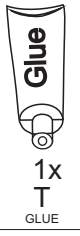
Pillar head needs to be in centre

CAM-PILLAR

Tighten until shoulder is flush with panel. Do not overtighten or undertighten (see example below)

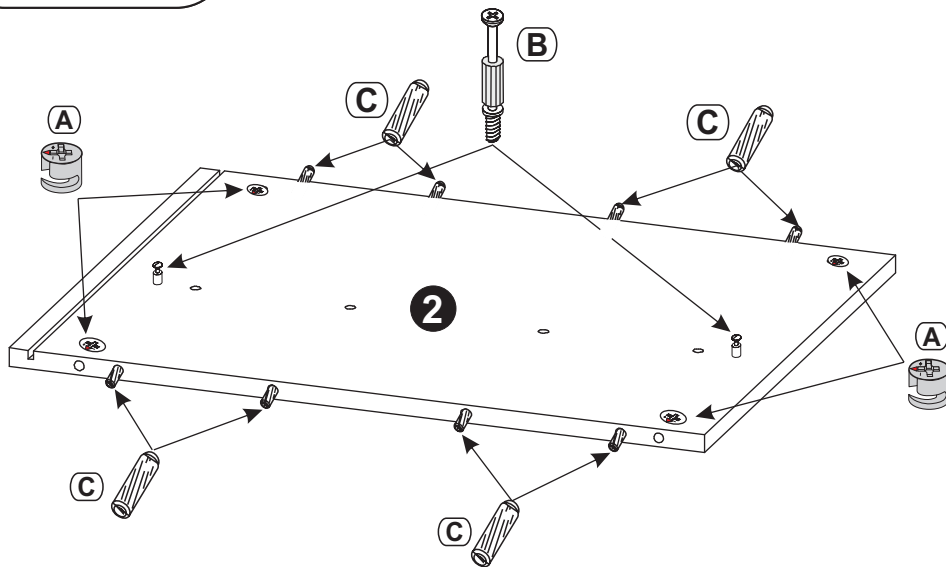
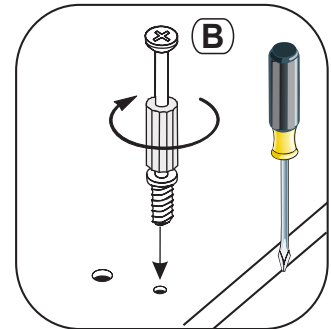
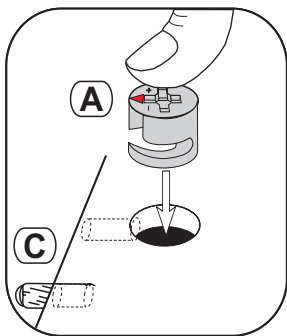
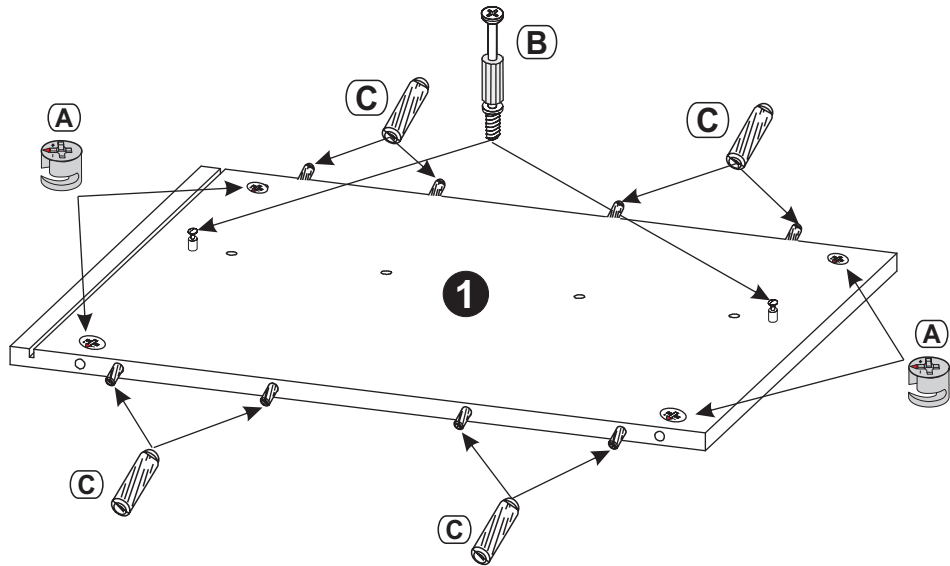
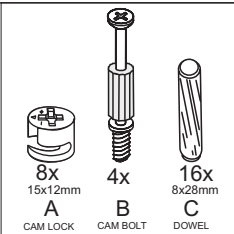


STEP 1

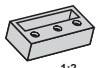


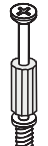



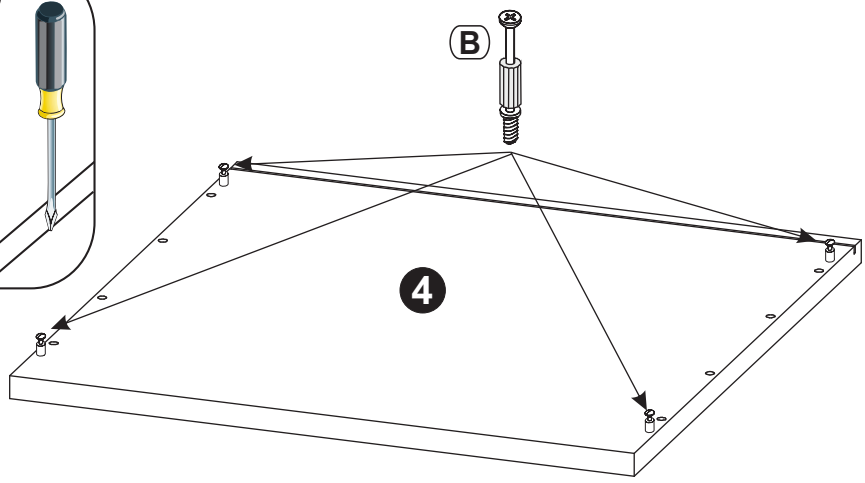
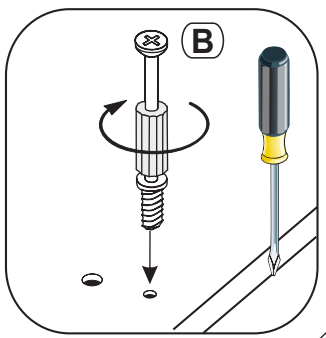
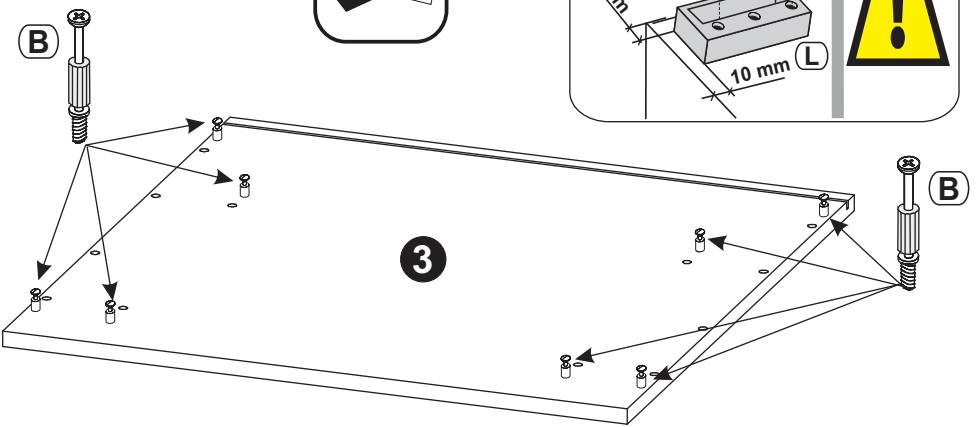
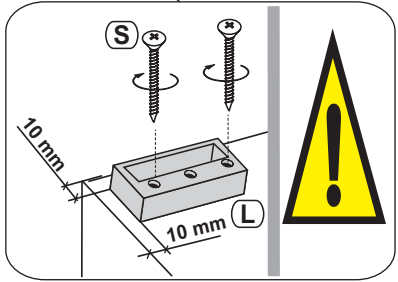
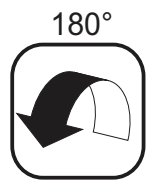
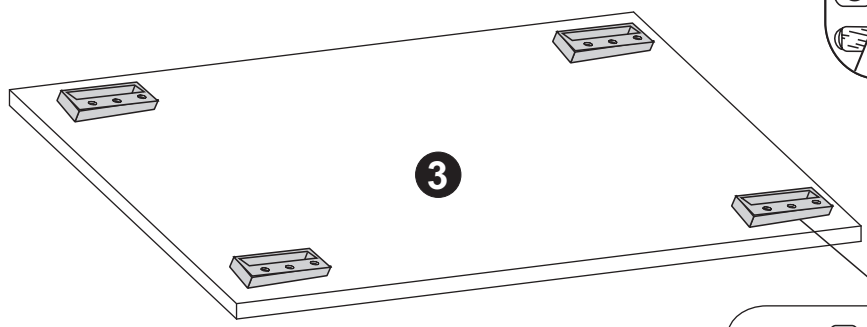
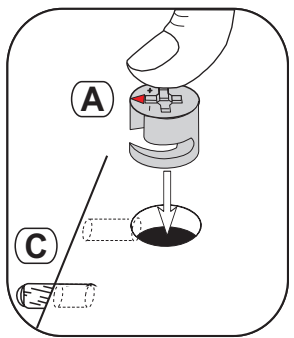
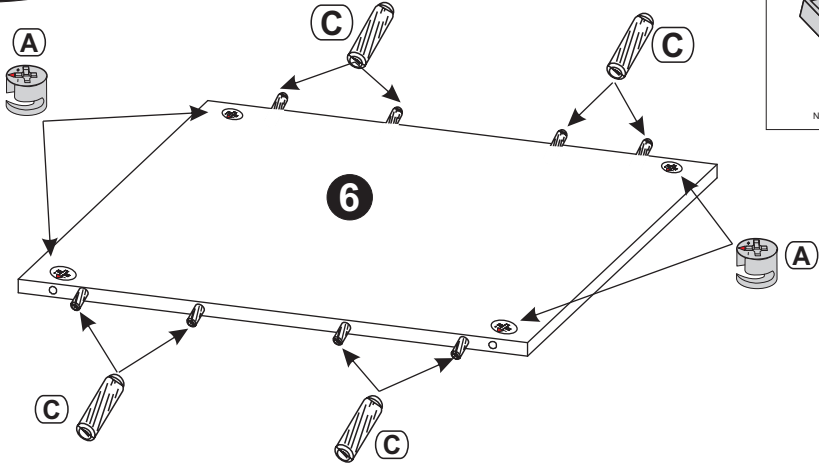
ONCE DRAWER IS ASSEMBLED YOU MUST LEAVE FOR 1 HOUR TO ALLOW GLUE TO SET.

STEP 2

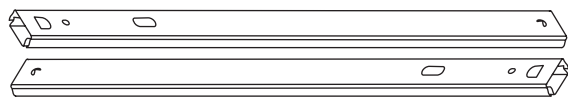


STEP 3

-  4x
L
NYLON FOOT
-  8x
4x40mm
S
SCREW
-  4x
15x12mm
A
CAM LOCK
-  12x
B
CAM BOLT
-  8x
8x28mm
C
DOWEL



STEP 4



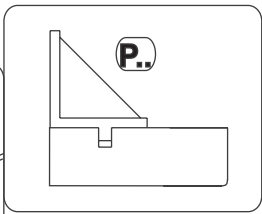
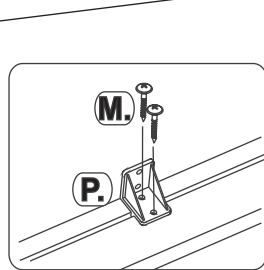
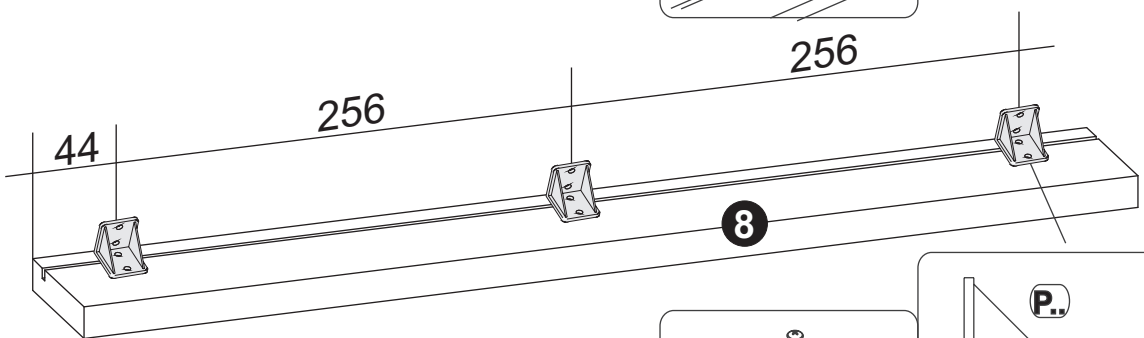
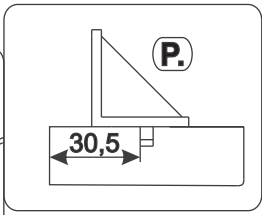
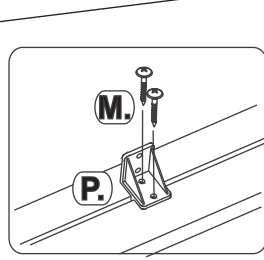
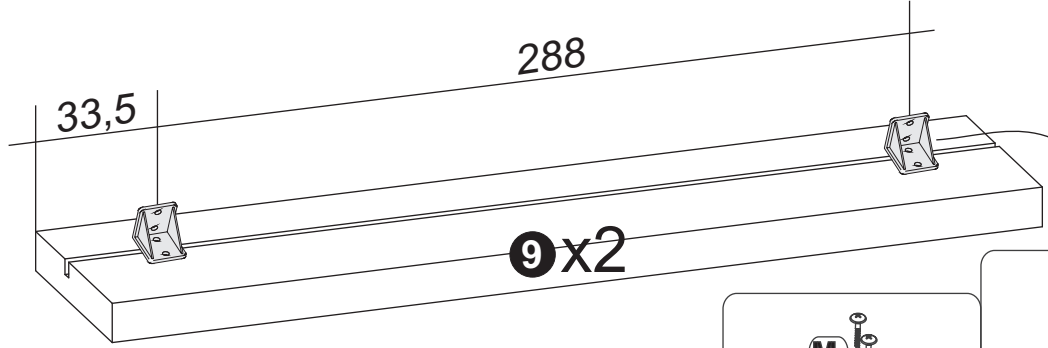
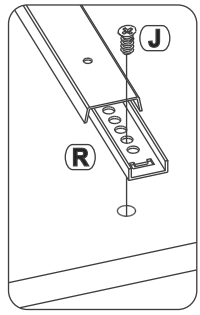
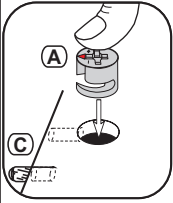
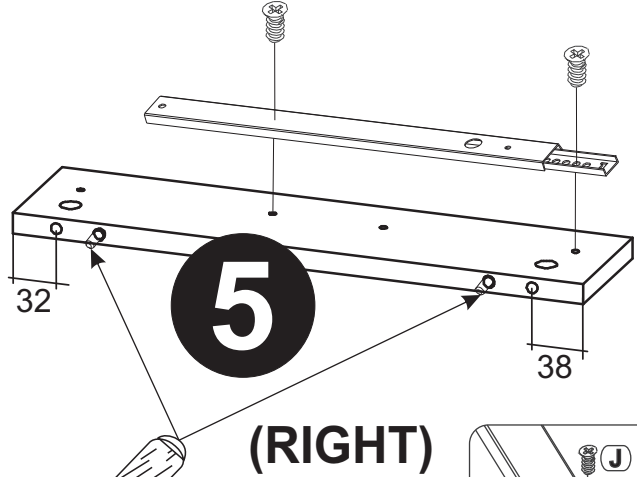
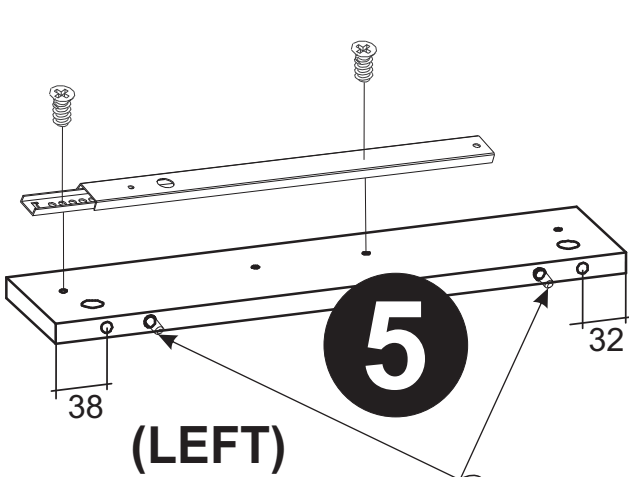
1x Left / 1x Right
L=310
R
BALL RUNNER

4x **C**
8x28mm
DOWEL

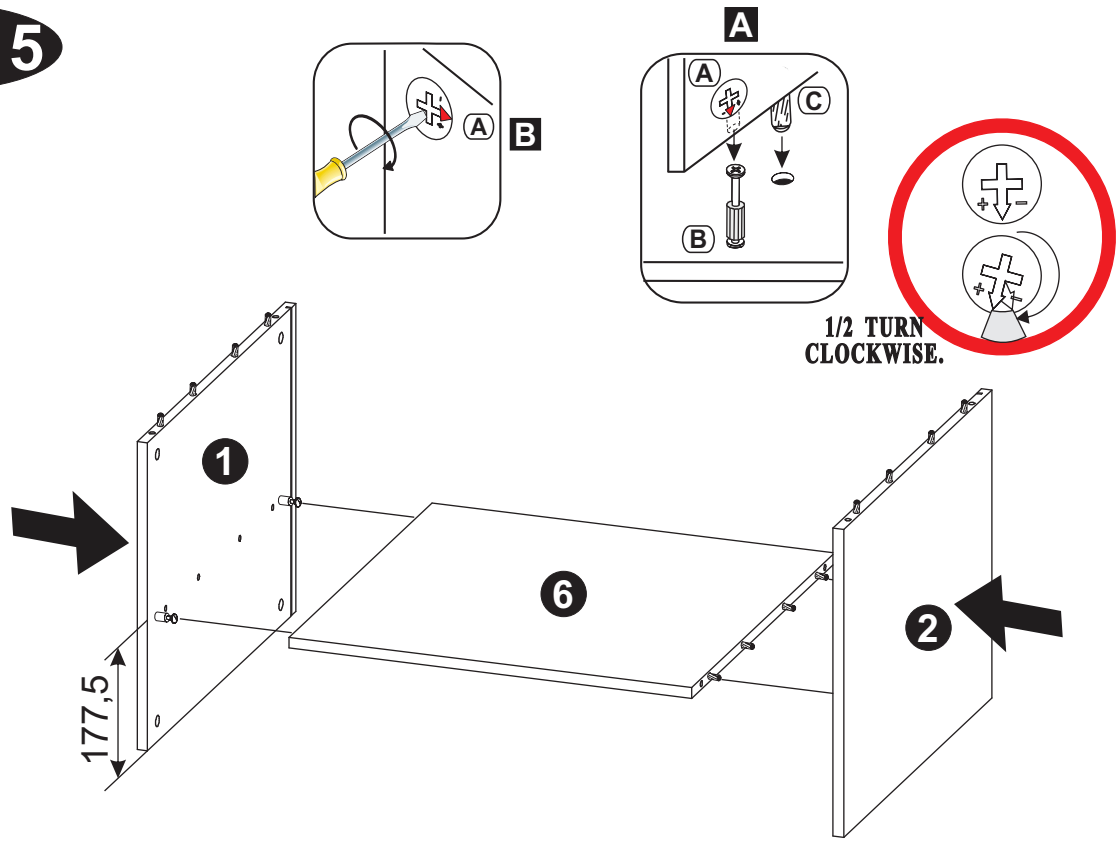
4x **G**
6x9,5mm
GRUB SCREW

7x **P**
SQUARE

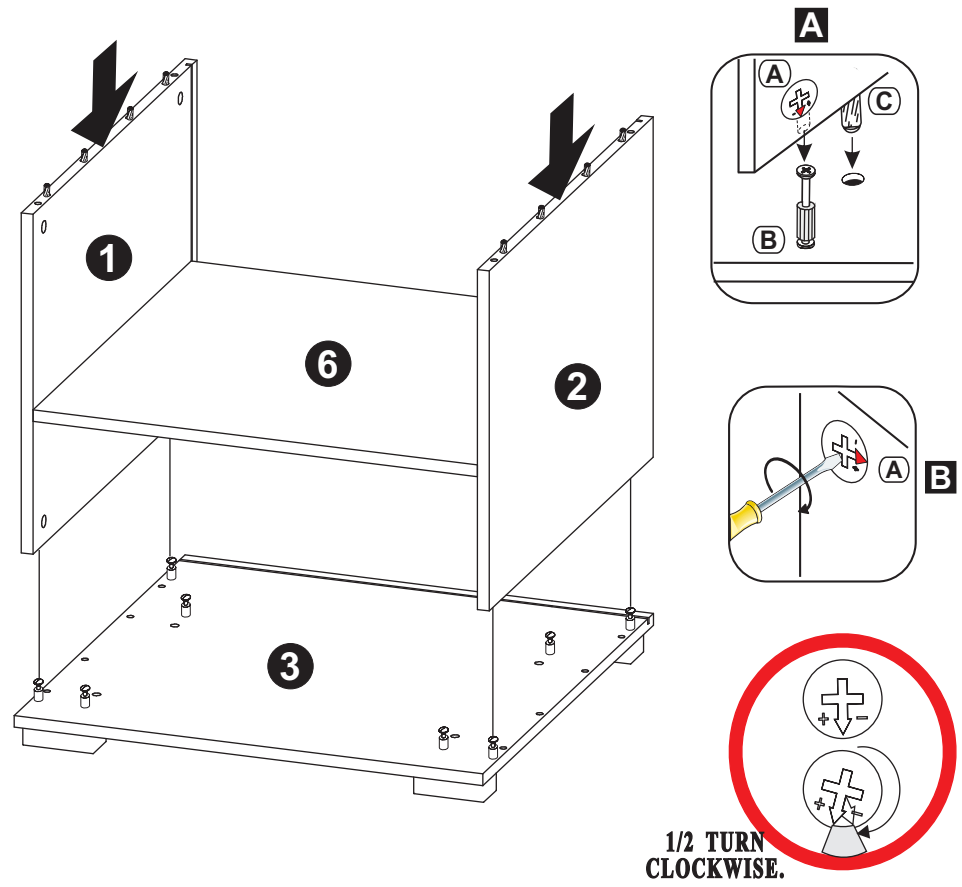
14x **M**
3,5x13mm
SCREW



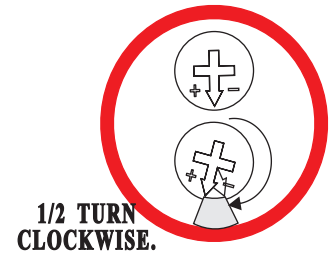
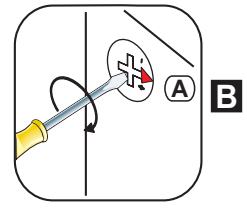
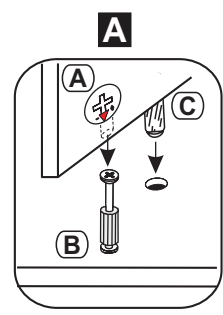
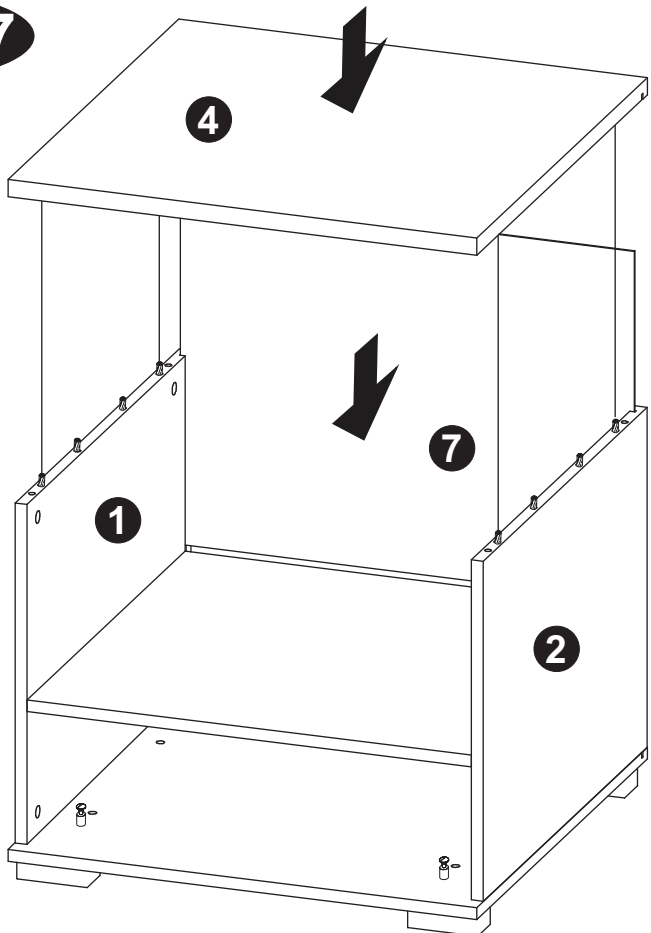
STEP 5



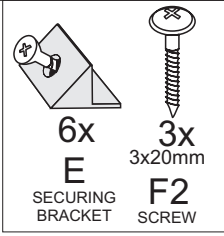
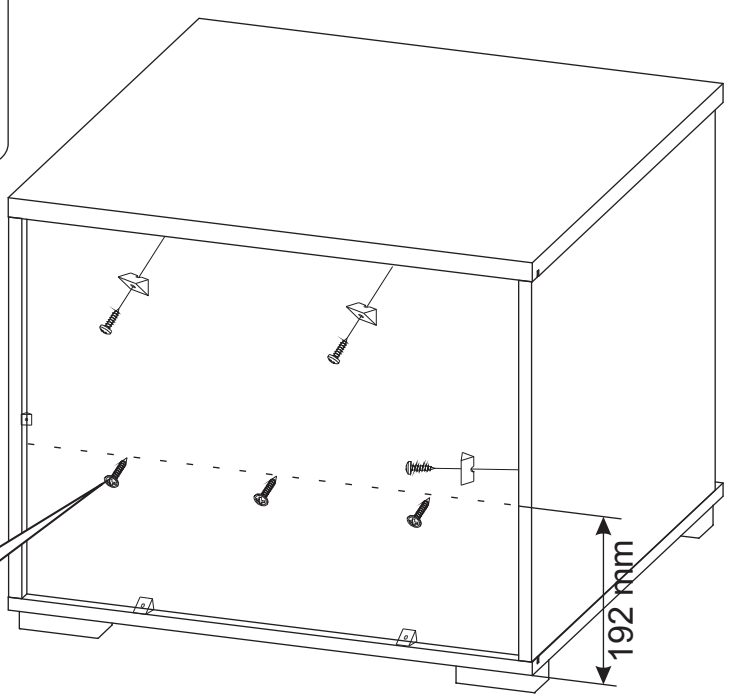
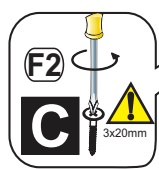
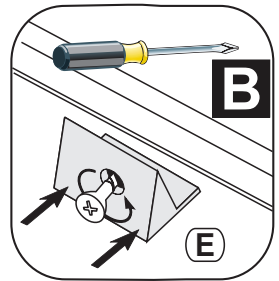
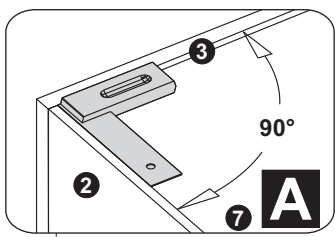
STEP 6



STEP 7

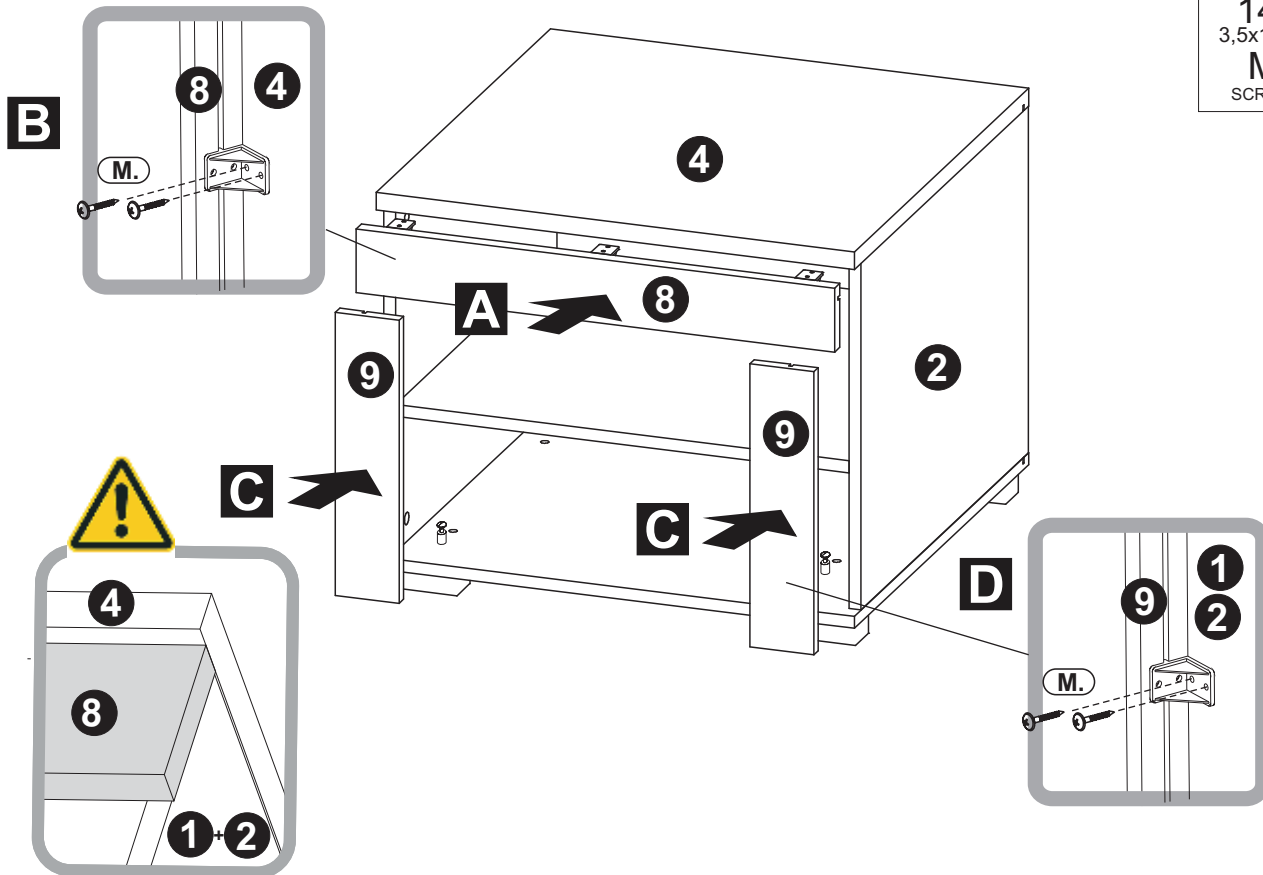


STEP 8



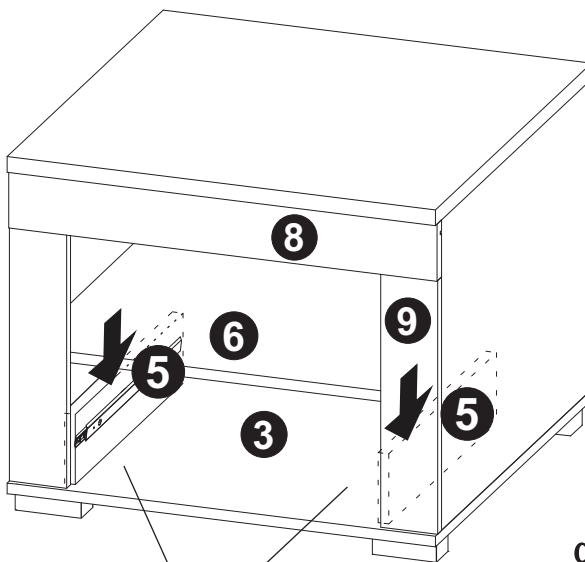
STEP 9


 14x
 3,5x13mm
M
 SCREW

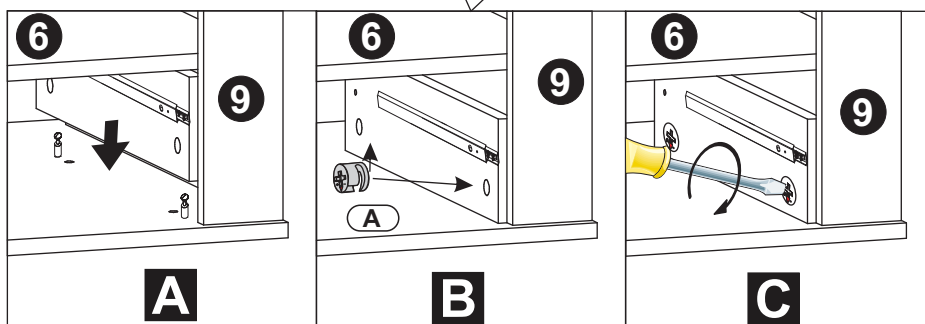


STEP 10


 4x
 15x12mm
A
 CAM LOCK

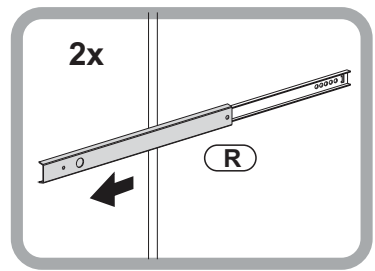
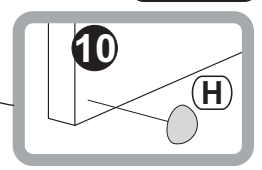
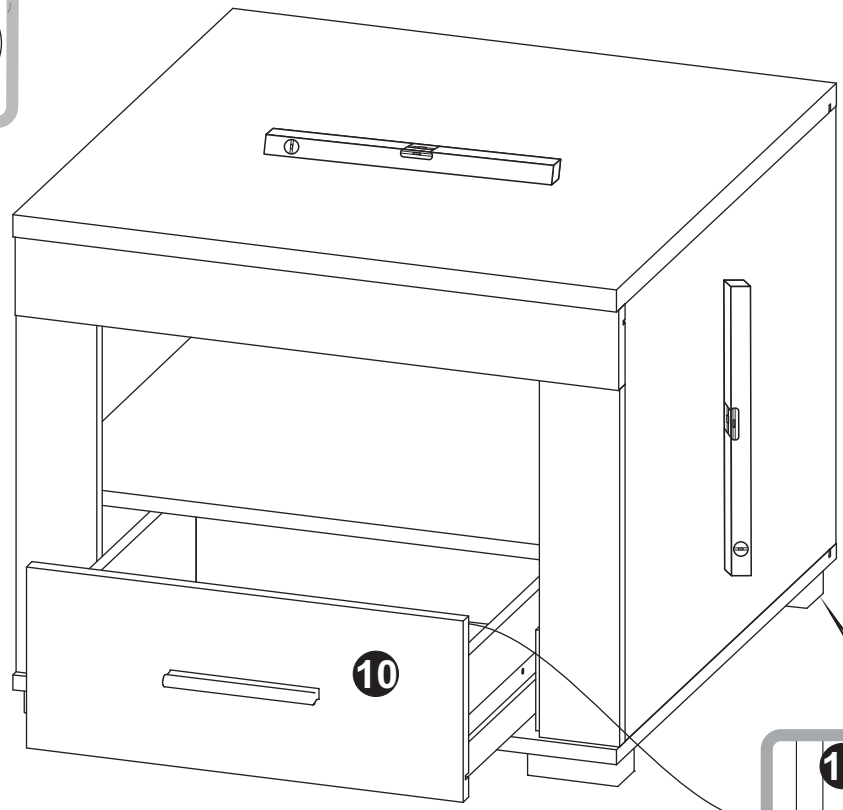
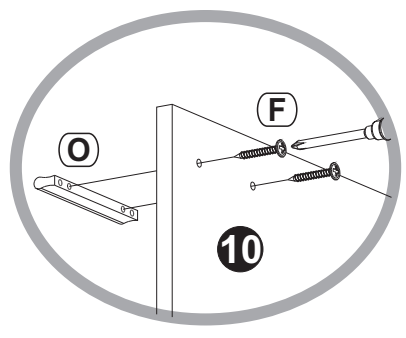
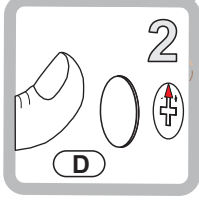
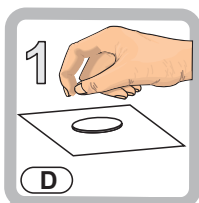



 1/2 TURN
 CLOCKWISE.

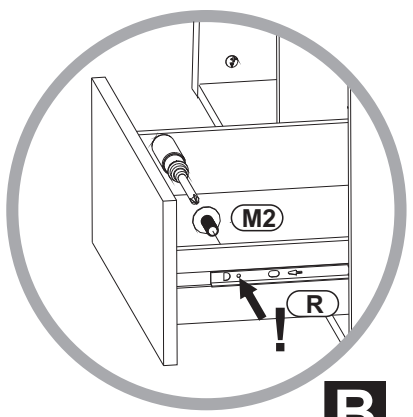


STEP 11

- 2x H PEG
- 1x 1:2 O HANDLE
- 16x D CAM COVER
- 2x 3.5x30mm F SCREW
- 2x 4x9mm M2 SCREW
- 2x X LEVEL QUON



A



B