
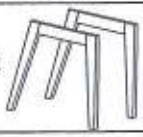
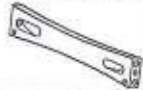
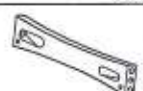
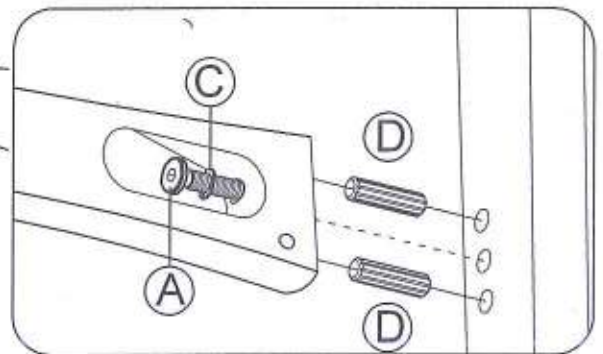
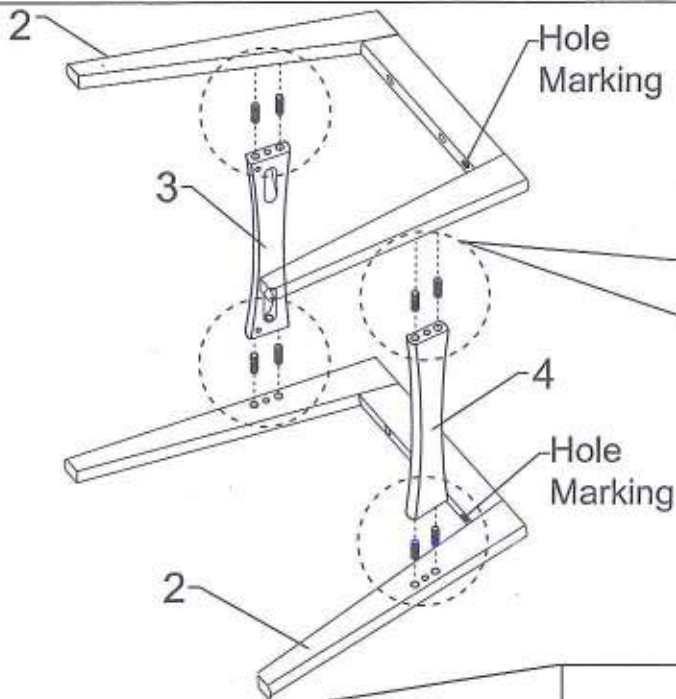
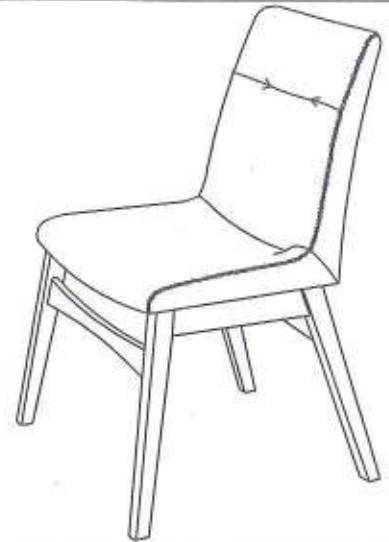


ASSEMBLY INSTRUCTIONS MODEL : LW 1811

PART LIST		
1	Chair Body 	1 PC
2	Leg Left & Right 	2 PCS
3	Long Rail 	1 PC
4	Short Rail 	1 PC

HARDWARE LIST			
A	JCBC M6 X 45mm 	4 PCS	
B	JCBC M6 X 60mm 	4 PCS	
C	Spring Washer M6x13mm 	8 PCS	
D	Wood Dowel M8x35mm 	8 PCS	
E	Allen Key 	1 PC	



*DO NOT FULLY TIGHTEN

Step 2

*LEVELING THE LEGS ON FLOOR THEN FULLY TIGHTEN



Step 3

