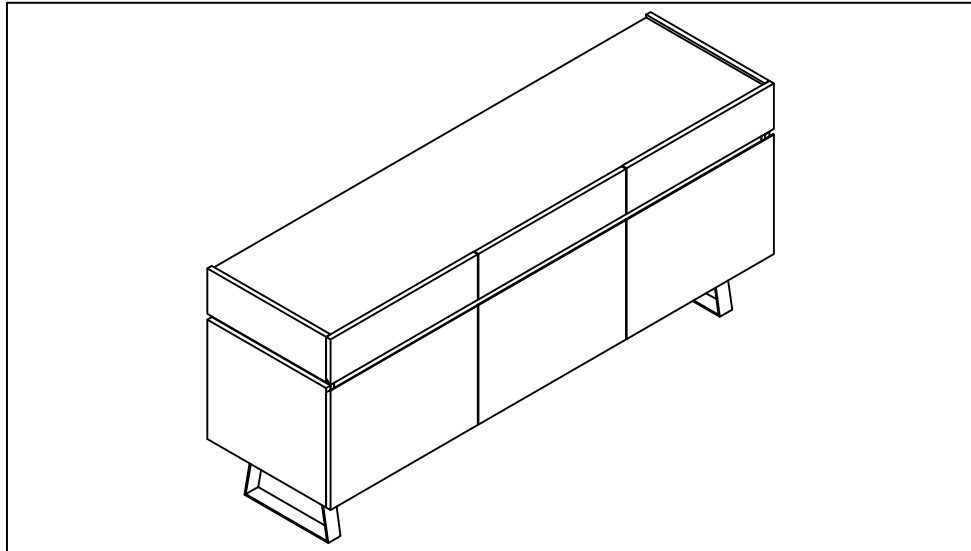




ASSEMBLY INSTRUCTION

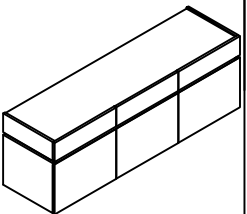
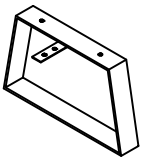
HN-2018-OCC-056-BUFFET



HARDWARE LISTS

NO	DESCRIPTION	QTY
A	 JCBC Ø6 X 16mm	8
B	 Allen Key M4	1

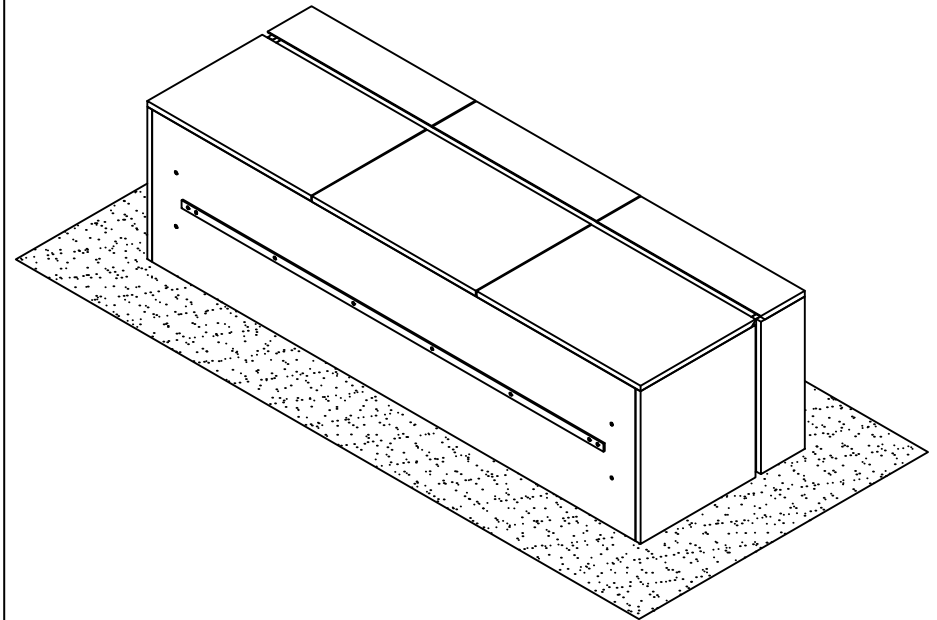
COMPONENT LISTS

NO	DESCRIPTION	QTY	NO	DESCRIPTION	QTY
1	 Body	1	2	 Metal Legs	2

EXAMPLE FOR SKETCH ONLY

IMPORTANT !

Place the body of the buffet lay down on smooth surface (For eg. Cloth, Carpet, Rug etc.) prior start of assembly.



MADE IN MALAYSIA

STEP 1

Use allen key to tighten the JCBC Screw into metal legs until the JCBC Screw are totally in.

