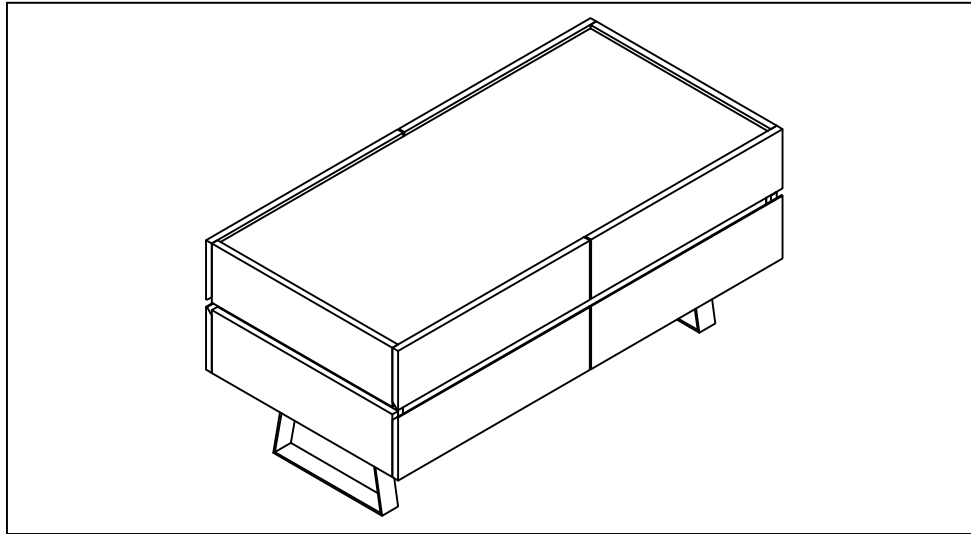




# ASSEMBLY INSTRUCTION

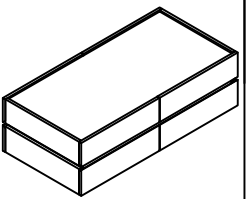
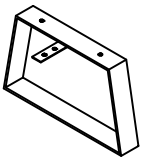
HN-2018-OCC-056-COFFEE TABLE



### HARDWARE LISTS

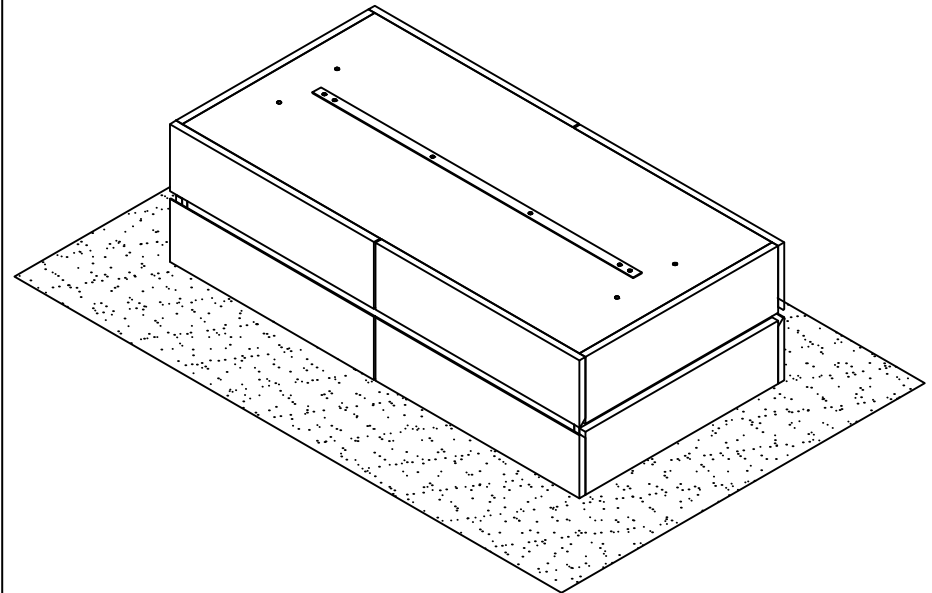
NO	DESCRIPTION	QTY
A	 JCBC Ø6 X 16mm	8
B	 Allen Key M4	1

### COMPONENT LISTS

NO	DESCRIPTION	QTY	NO	DESCRIPTION	QTY
1	 Body	1	2	 Metal Legs	2

### **IMPORTANT !**

Place the body of the coffee table upside down on smooth surface (For eg. Cloth, Carpet, Rug etc.) prior start of assembly.



EXAMPLE FOR SKETCH ONLY

MADE IN MALAYSIA

**STEP 1**

Use allen key to tighten the JCBC Screw into metal legs until the JCBC Screw are totally in.

