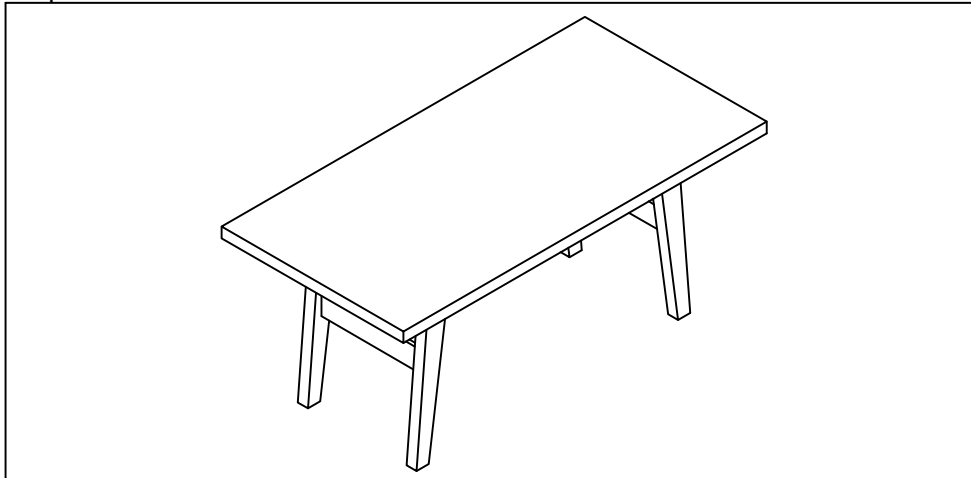




# ASSEMBLY INSTRUCTION

HN-2018-OCC-056-DINING TABLE

Thank you for purchasing this quality product. Be sure to check all packing material carefully for small parts that may have come loose inside the carton during shipment.

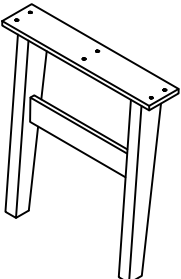


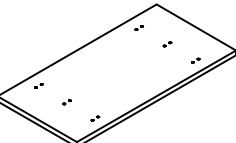
### HARDWARE LISTS

NO	DESCRIPTION	QTY
A	 JCBB Ø8 X 35mm	12
B	 Allen Key M4	1

NO	DESCRIPTION	QTY
C	 Spring Washer	12

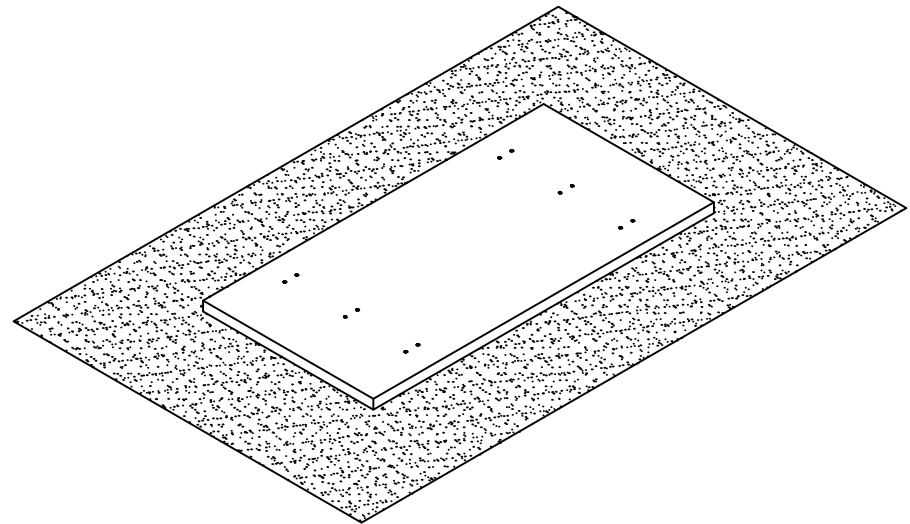
### COMPONENT LISTS

NO	DESCRIPTION	QTY
1	 Leg (Framed)	2

NO	DESCRIPTION	QTY
2	 Top	1

### **IMPORTANT !**

Place the body of the dining table upside down on smooth surface (For eg. Cloth, Carpet, Rug etc.) prior start of assembly.



EXAMPLE FOR SKETCH ONLY

MADE IN MALAYSIA

**STEP 1**

Fix spring washer as shown. Use allen key to tighten the JCBB Screw from Leg Support to Table Top until the JCBB Screw are totally in.

