

MODEL: 3581 SINGLE NORMAL / SINGLE KING




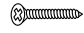



ASSEMBLY INSTRUCTIONS / INSTRUCTIONS POUR L' ASSEMBLAGE

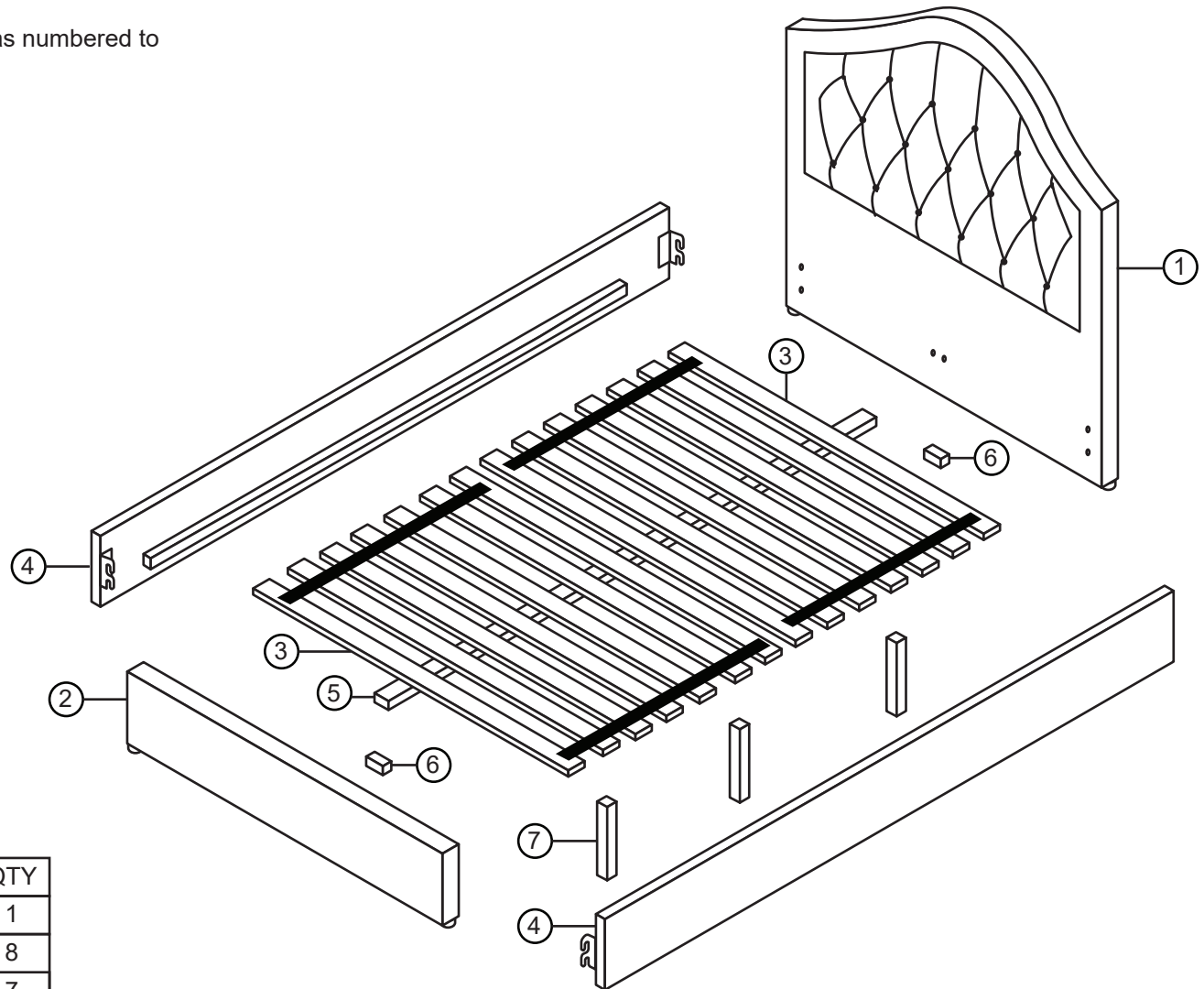
1. Remove hardware from box and sort by size.
2. Please check to see that all hardware and parts are present prior to the start of the assembly.
3. Please follow attached instructions in the same sequence as numbered to assure fast and easy assembly.

PART LIST :

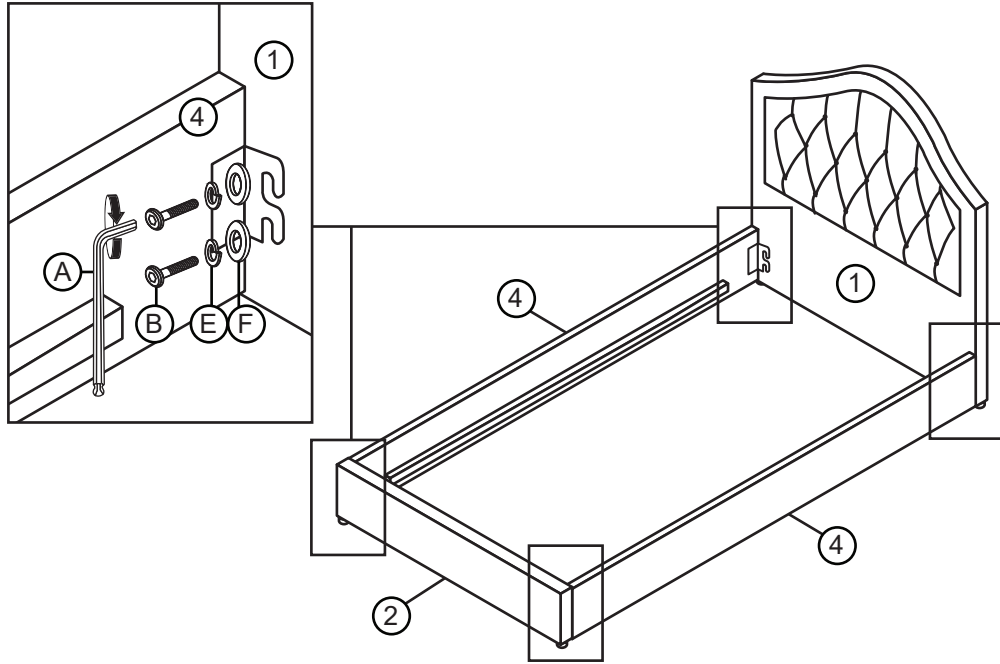
BOX#	PART#	DESCRIPTION	QTY
1	1	Headboard	1
	2	Footboard	1
	3	Slat (7 Pcs / Bundle)	2
2	4	Side Rail	2
	5	Center Rail	1
	6	Center Rail Support	2
	7	Leg Support	3

HARDWARE LIST :

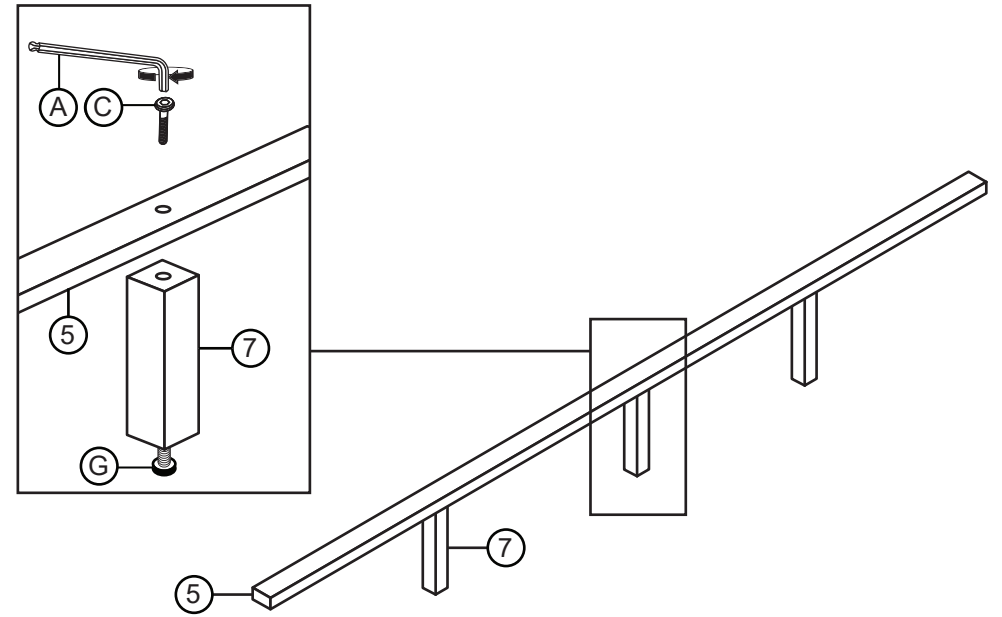
NO	DESCRIPTION	QTY
A	Allen Key M4 with Ball 	1
B	JCBC Bolt M6 x 30mm 	8
C	JCBC Bolt M6 x 45mm 	7
D	CSK Screw M4 x 32mm 	18
E	Spring Washer M6 x 13 x 1.0 	8
F	Flat Washer Medium M7 x 19 x 2.0 	8
G	Adjuster 	3



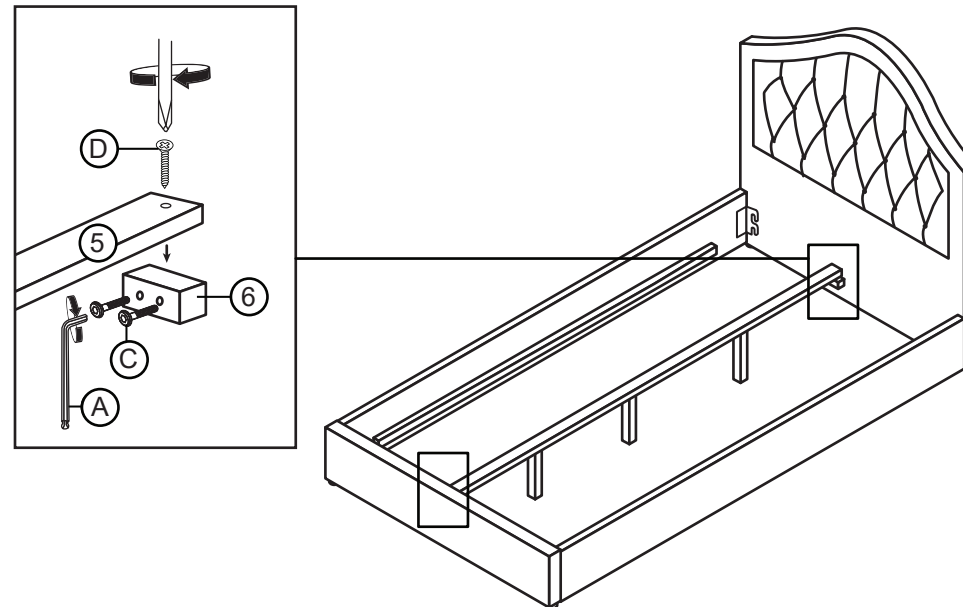
STEP 1



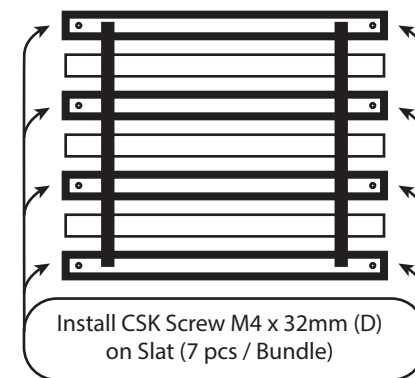
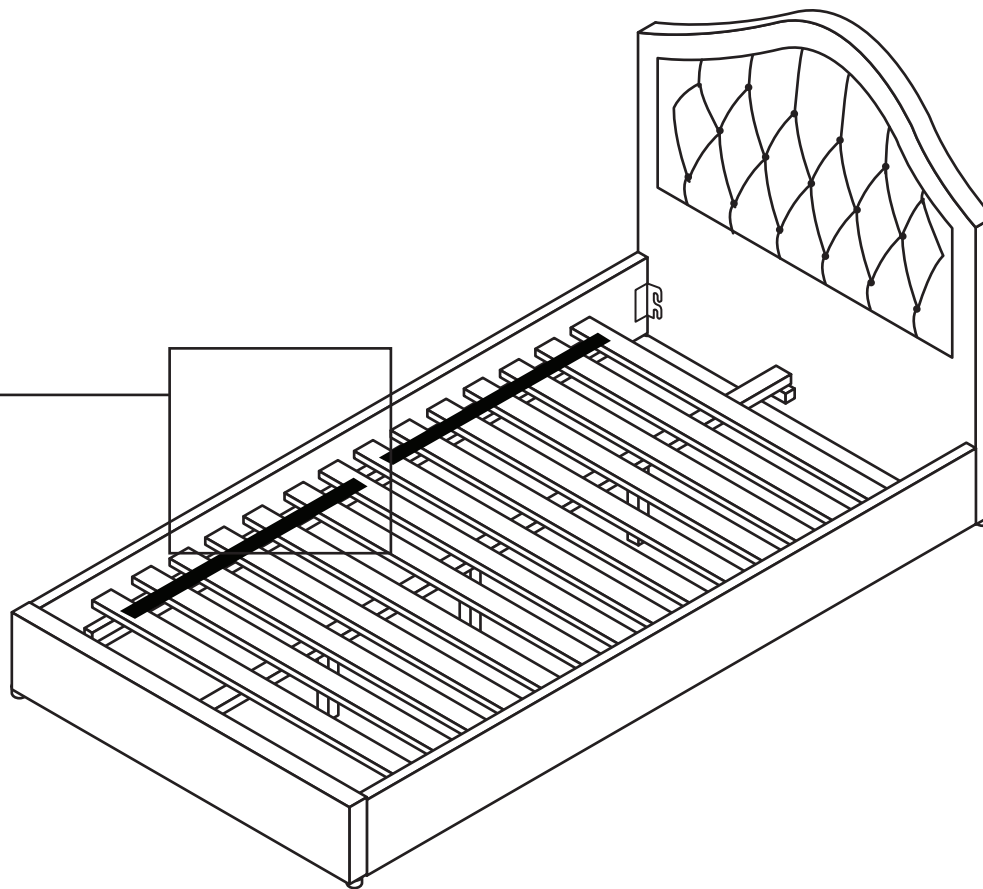
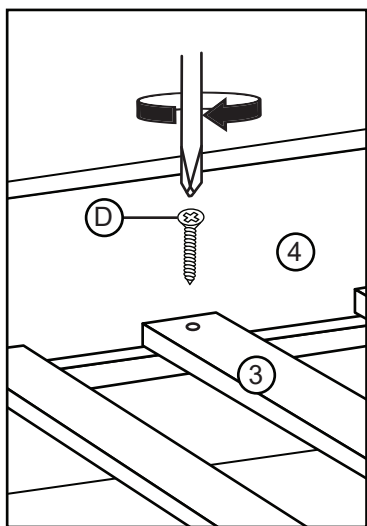
STEP 2



STEP 3



STEP 4



ASSEMBLY COMPLETE