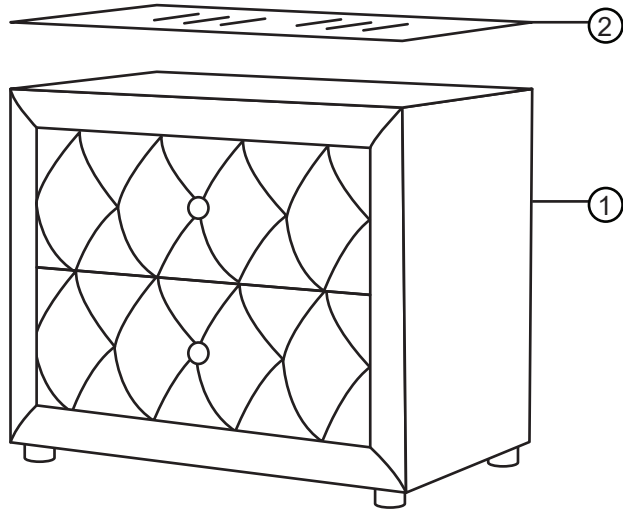


## **MODEL: 3581 NIGHT STAND**

### **ASSEMBLY INSTRUCTIONS / INSTRUCTIONS POUR L' ASSEMBLAGE**

1. Remove hardware from box and sort by size.
2. Please check to see that all hardware and parts are present prior to the start of the assembly.
3. Please follow attached instructions in the same sequence as numbered to assure fast and easy assembly.

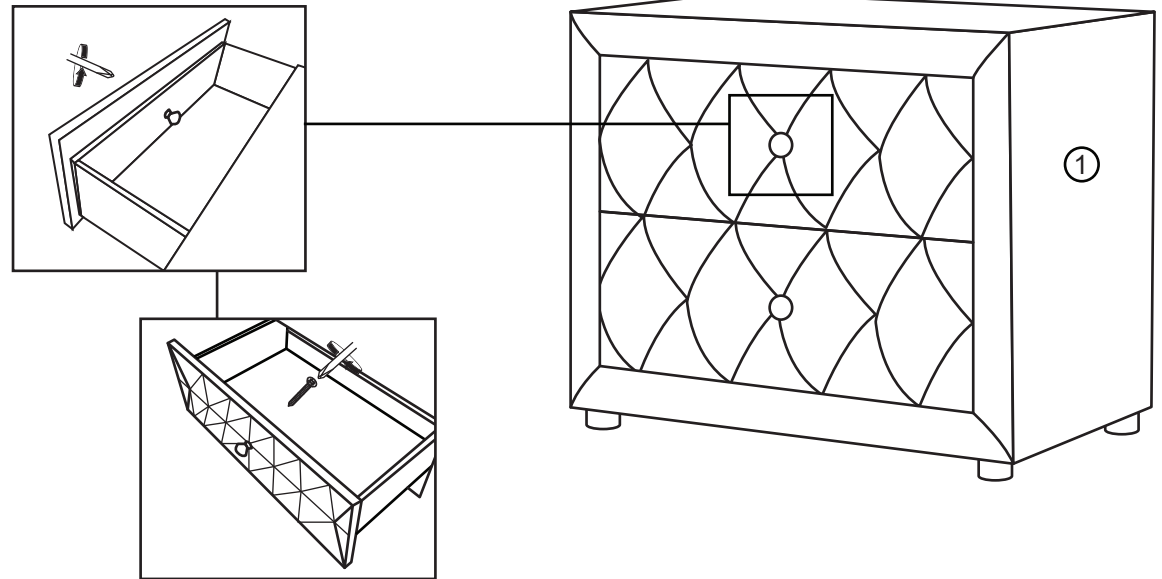


#### **PART LIST :**

BOX#	PART#	DESCRIPTION	QTY
1	1	Night Stand	1
	2	Glass-Top	1

### **STEP 1**

**LOOSEN** the handle & re-assemble it on the reverse side with screw driver (*Not Included*).



**ASSEMBLY COMPLETE**

**Revised Date: 16 / 04 / 2019**