

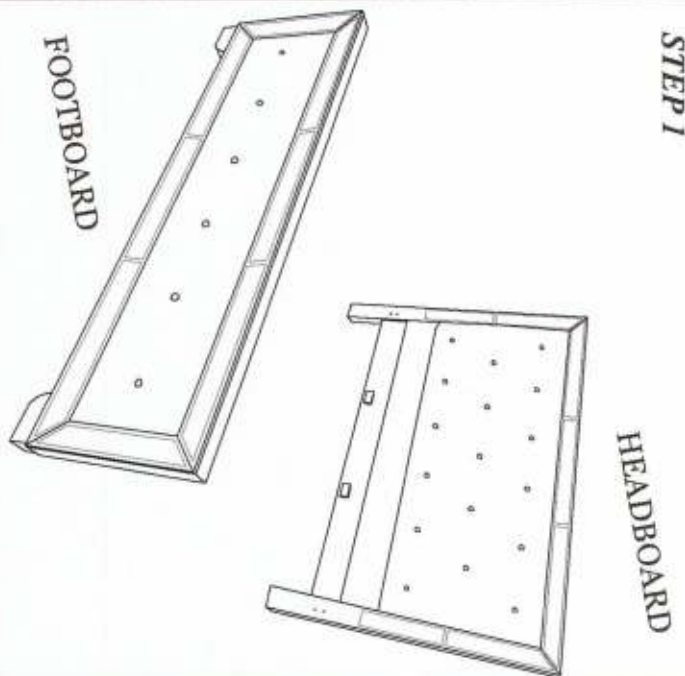
ASSEMBLY INSTRUCTION

MODEL : EMMERSON
ITEM : BED (KING)

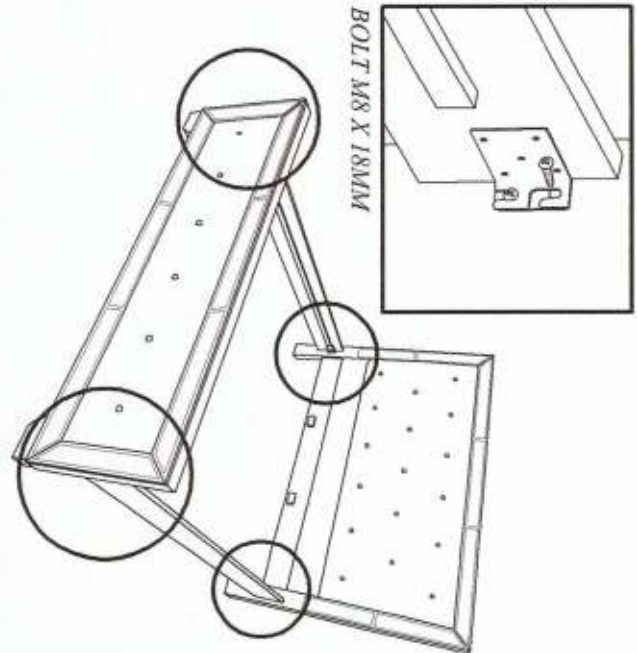
please follow this assembly instruction step by step

NO	HARDWARE LIST	QTY
1	BOLT M8 X 18MM	8 PCS
2	JCBC M6 X 35MM	10 PCS
3	SCREW M4 X 38MM	16 PCS
4	ALLEN KEY M4	1 PC

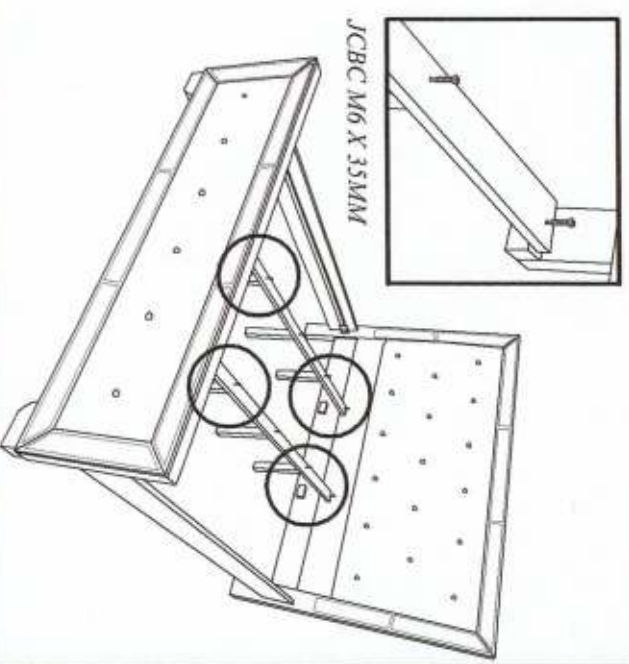
STEP 1



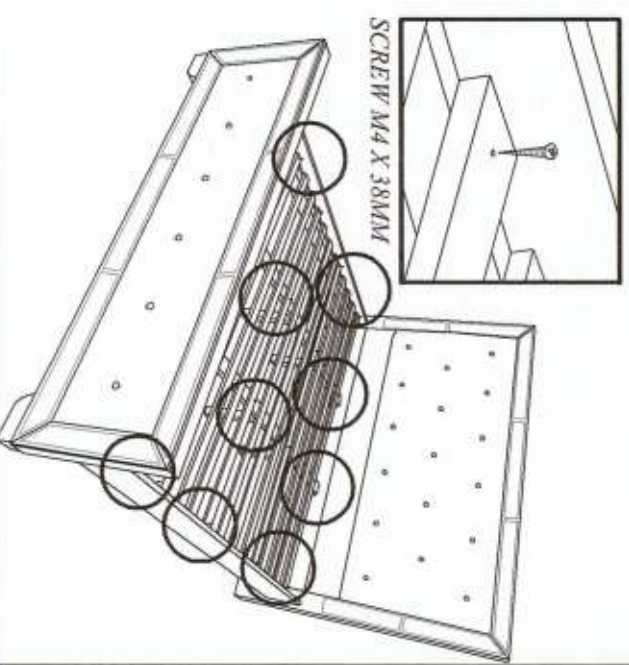
STEP 2



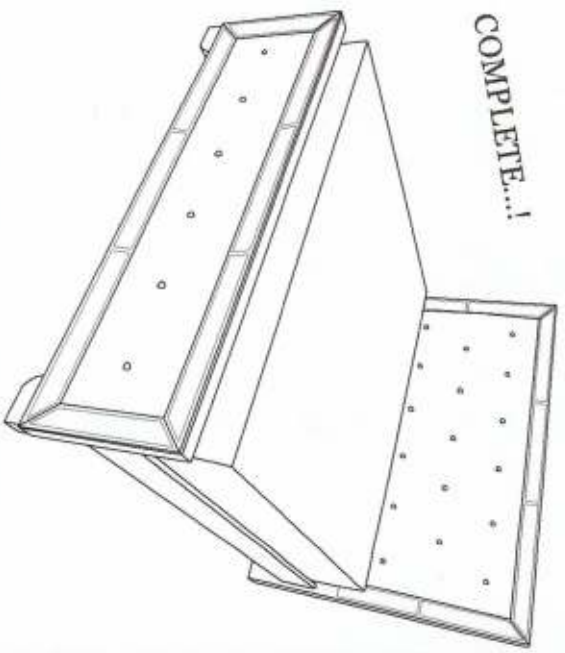
STEP 3



STEP 4



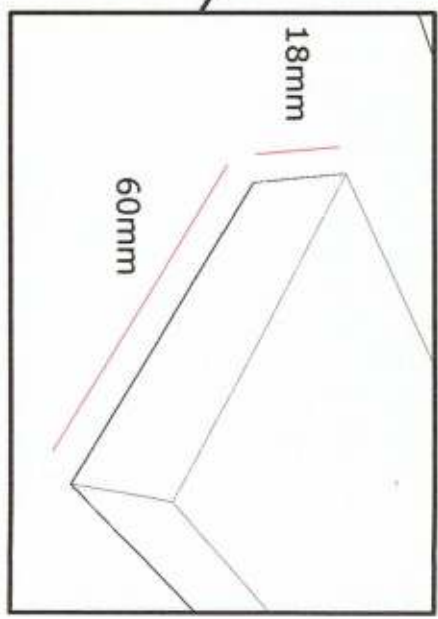
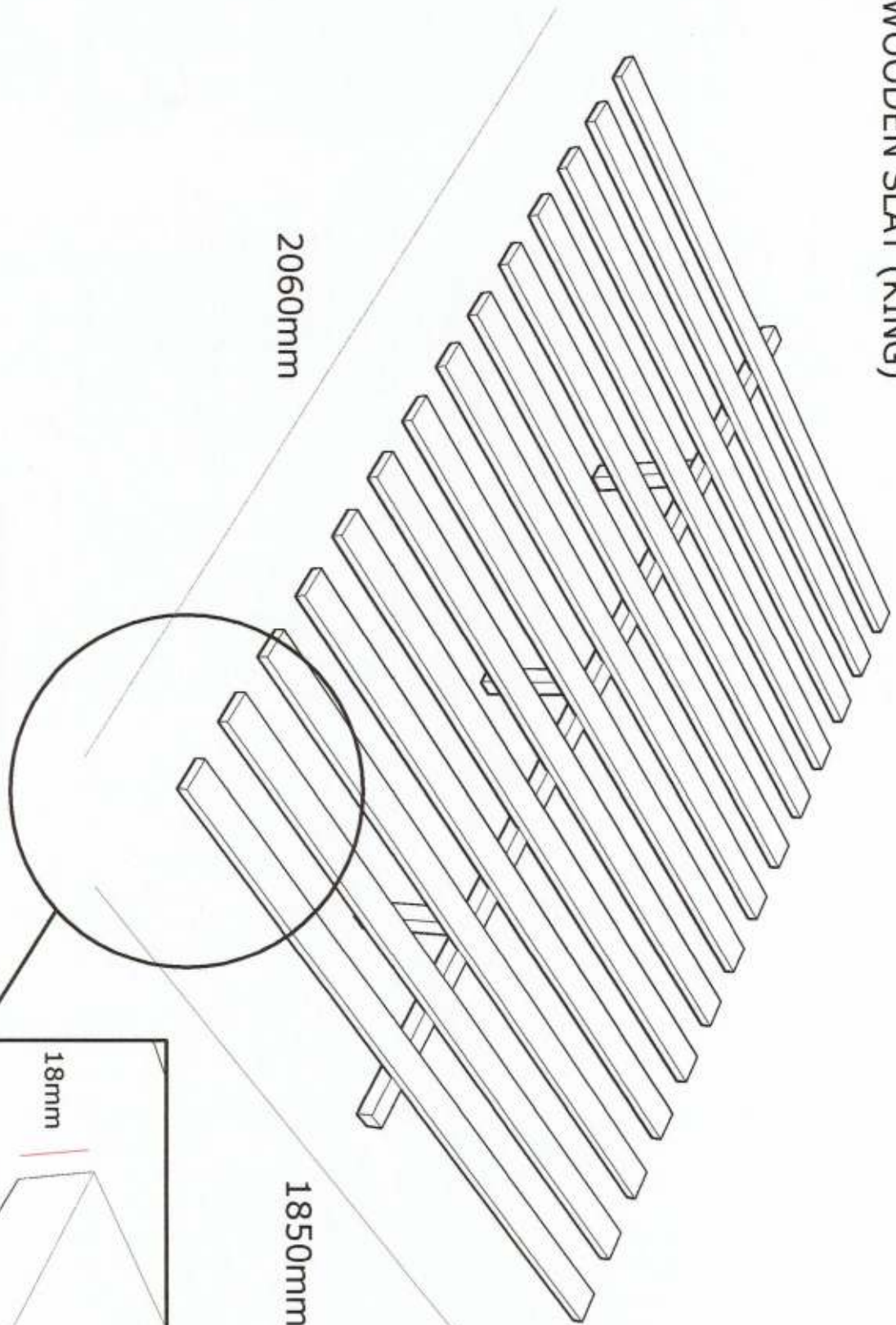
COMPLETE...!



MODEL : EMMERSON
ITEM : WOODEN SLAT (KING)

2060mm

1850mm



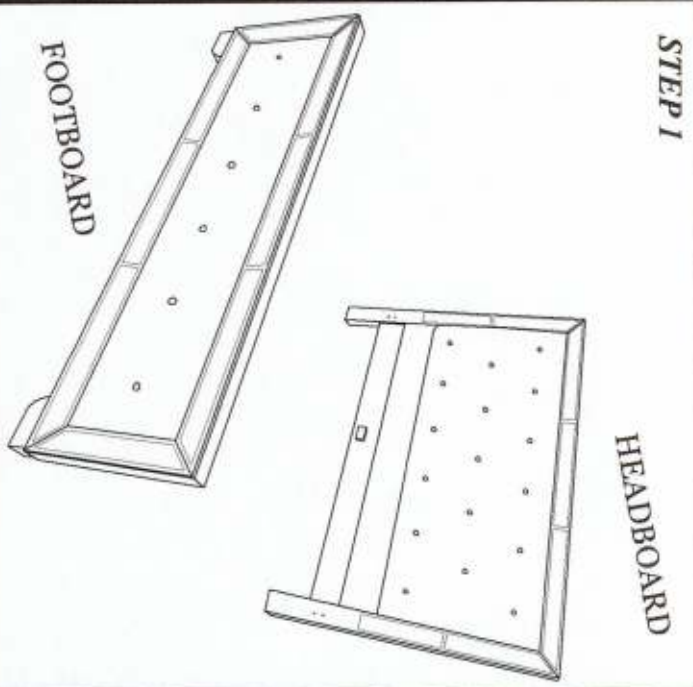
ASSEMBLY INSTRUCTION

MODEL : EMMERSON
ITEM : BED (QUEEN)

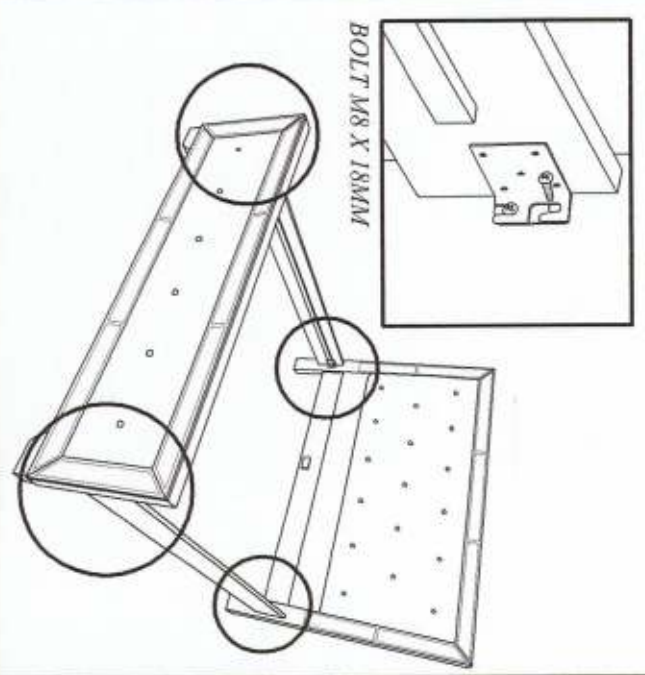
please follow this assembly instruction step by step

NO	HARDWARE LIST	QTY
1	BOLT M8 X 18MM	8 PCS
2	JCBC M6 X 35MM	10 PCS
3	SCREW M4 X 38MM	16 PCS
4	ALLEN KEY M4	1 PC

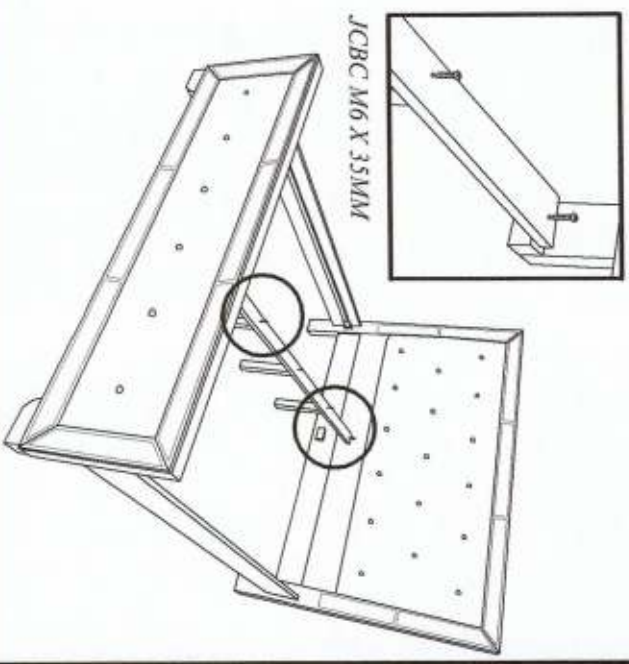
STEP 1



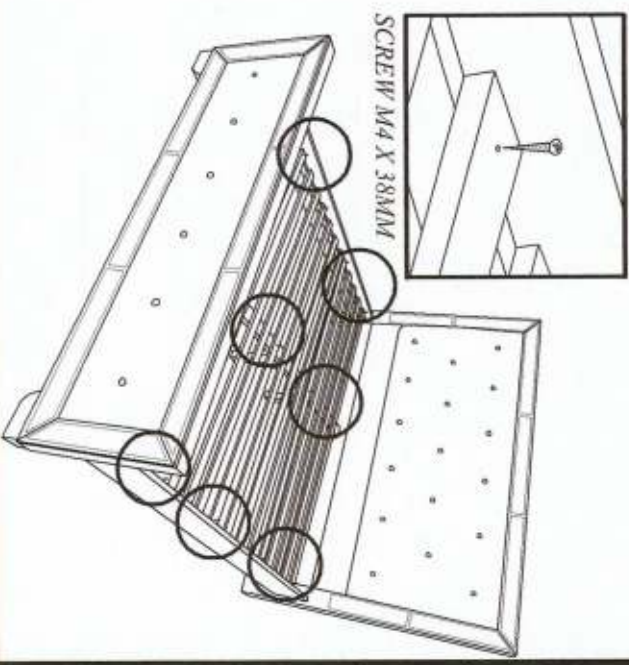
STEP 2



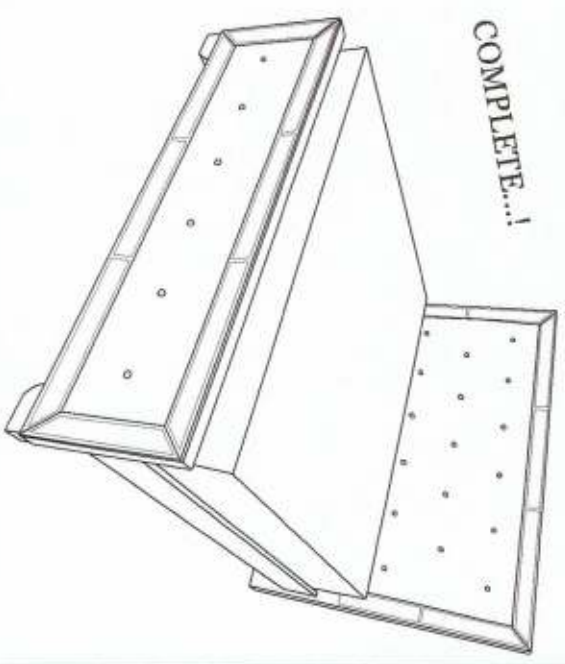
STEP 3



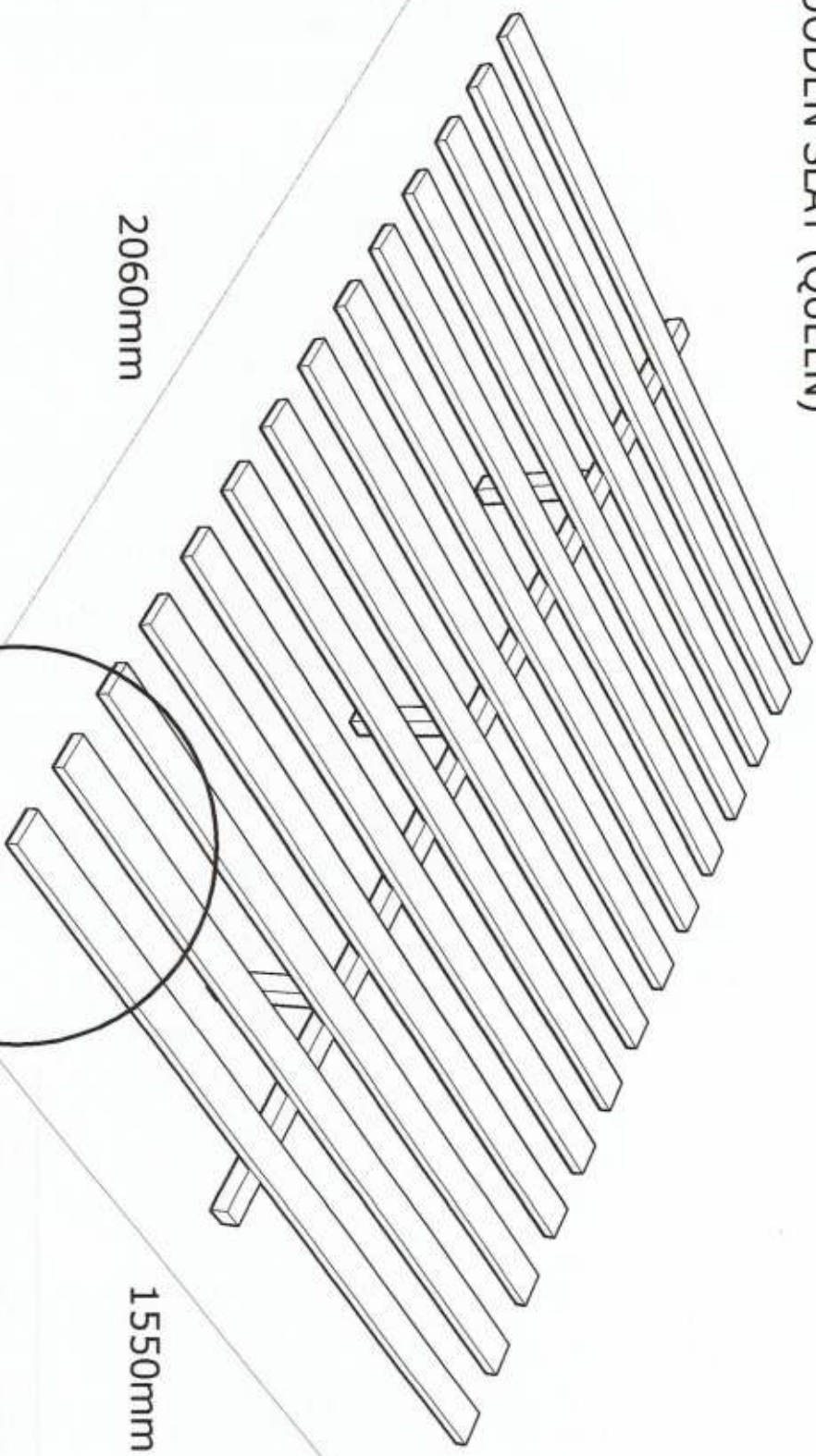
STEP 4



COMPLETE...!



MODEL : EMMERSON
ITEM : WOODEN SLAT (QUEEN)



2060mm

1550mm

