

# LOUIS BED INSTRUCTIONS

Read this instruction carefully. See hardware and furniture part list for guidance. Be sure all part is complete, before you assemble. Place all wooden furniture part on a clean and flat soft surface to prevent from being scratched. Follow the figure to start assembling.

**CAUTION:**

1. Do not FULLY-TIGHTEN the nut or bolt until all nut or nut bolt is ready to assembled.
2. Do not OVER-TIGHTEN the nut or nut bolt to avoid causing damages to the thread.
3. Keep all hardware part out of reach of children.

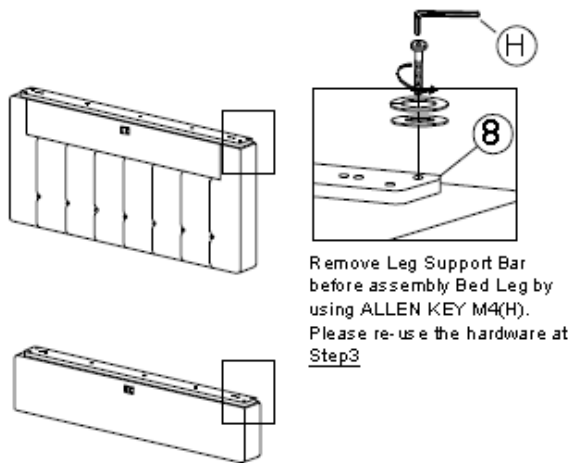
**PART LIST - PAGE 1**

NO	DESCRIPTION	QTY
1	HEADBOARD	1 PC
2	FOOTBOARD	1 PC
3	CENTER RAIL	1 PC
4	SIDE RAIL	2 PCS
5	SUPPORT LEG	3 PCS
6	SLAT	15 PCS
7	BED LEG	4 PCS
8	LEG SUPPORT BAR (PRE-FIXED)	2 PCS

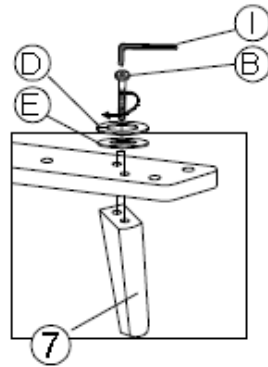
**HARDWARE LIST**

NO	DESCRIPTION	QTY
A	JCBB M8 X 40MM	8PCS
B	JCBB M8 X 50MM	8PCS
C	JCBC M6 X 50MM	9PCS
D	SPRING WASHER 5/16"	25PCS
E	FLAT WASHER 5/16"	16PCS
F	FLAT WASHER 1/4"	9PCS
G	CSK M4 X 30MM	39PCS
H	ALLEN KEY M4	1 PC
I	ALLEN KEY M5	1 PC

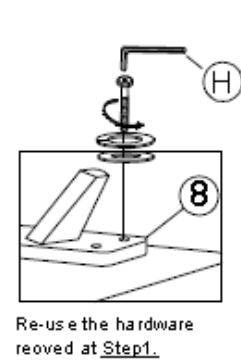
**STEP 1**



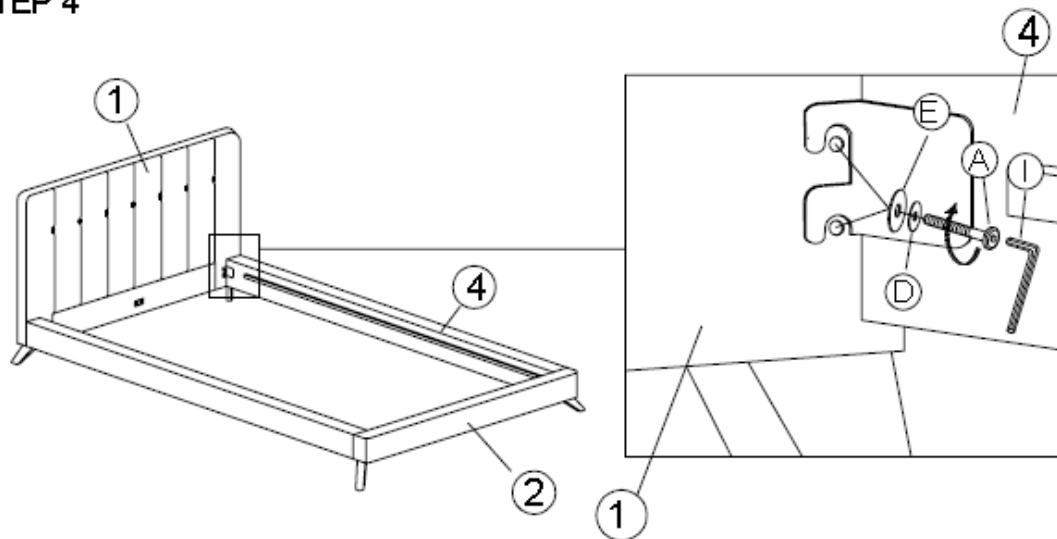
**STEP 2**



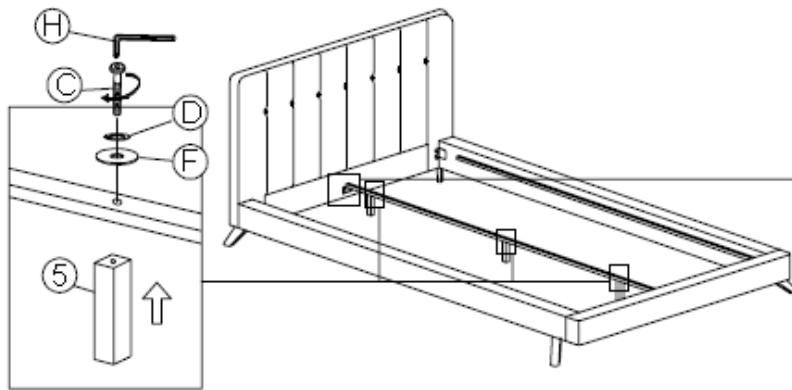
**STEP 3**



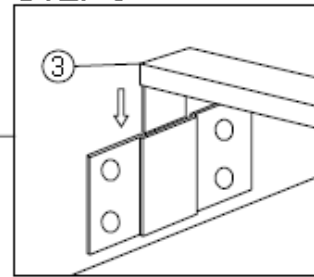
**STEP 4**



**STEP 5**

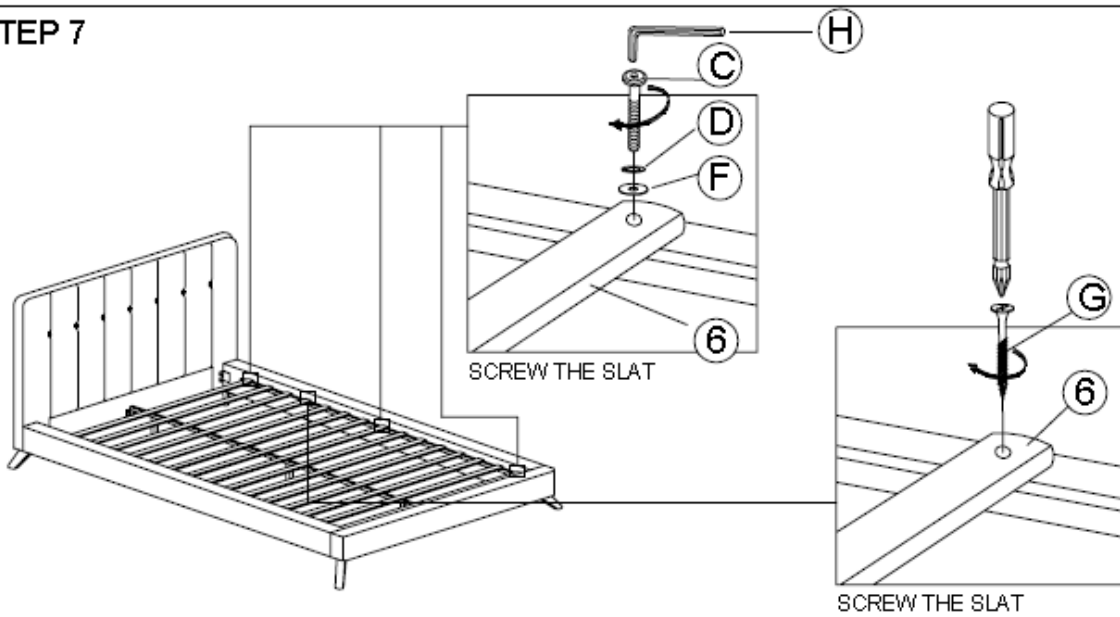


**STEP 6**



ATTACH SUPPORT LEGS TO CENTRE SUPPORT RAIL

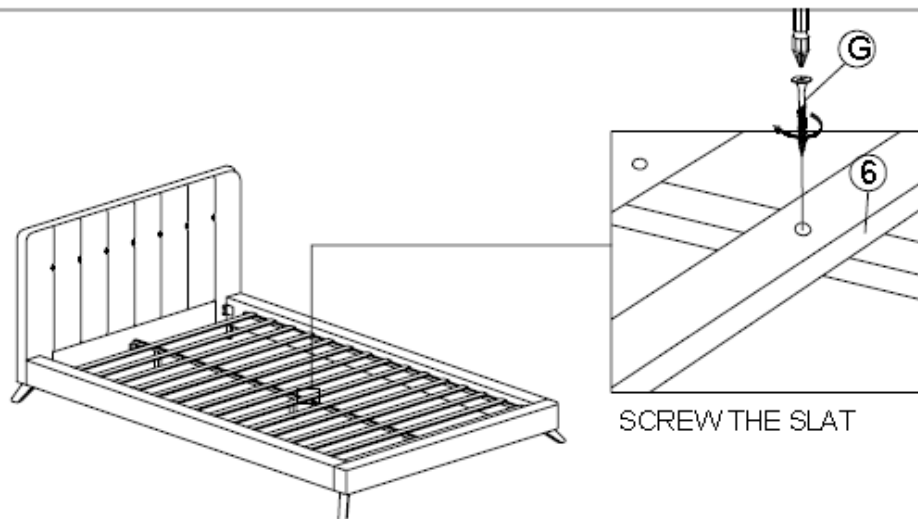
**STEP 7**



SCREW THE SLAT

SCREW THE SLAT

**STEP 8**



SCREW THE SLAT