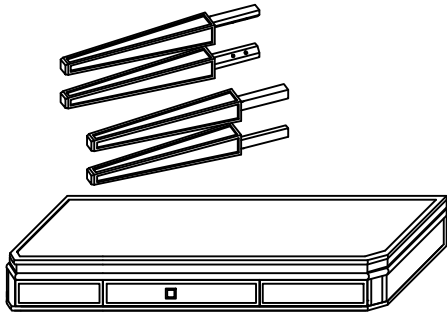


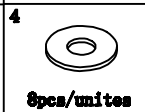
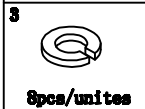
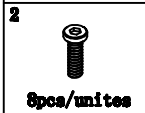
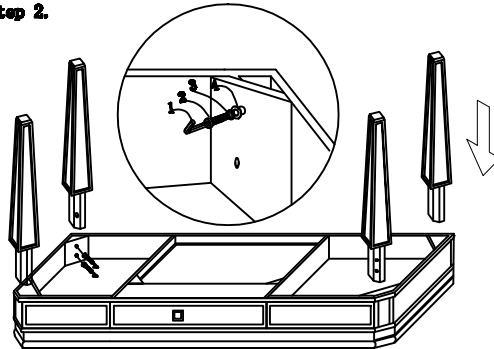
# Assembly instruction

1. Each leg is numbered . please match the number on the leg to the correct position.
2. Assemble the washers according to the drawing.
3. Use the allen key provided to tighten the bolts . Do not over tighten . use only as much force as you can easily exert with one hand.

Step 1.



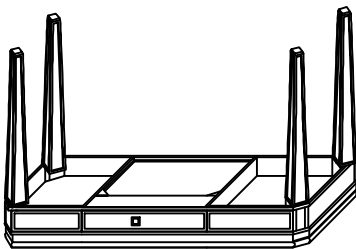
Step 2.



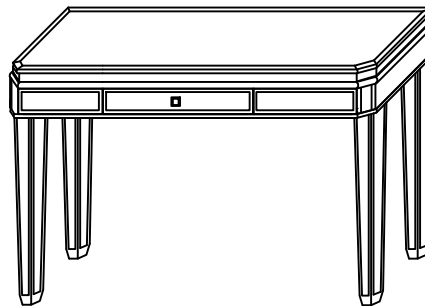
5

6

Step 3.



Step 4.

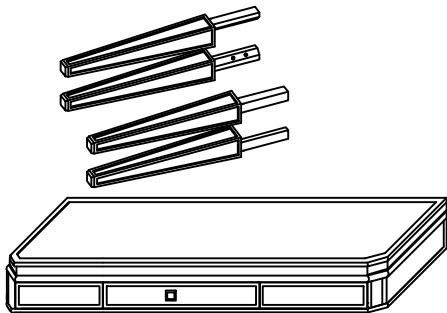


Page 1 of 1

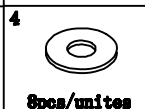
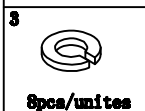
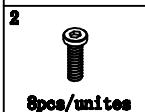
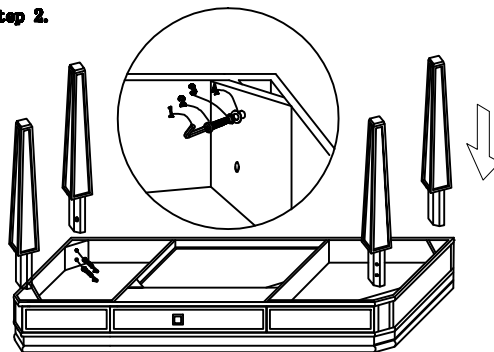
# Assembly instruction

1. Each leg is numbered . please match the number on the leg to the correct position.
2. Assemble the washers according to the drawing.
3. Use the allen key provided to tighten the bolts . Do not over tighten . use only as much force as you can easily exert with one hand.

Step 1.



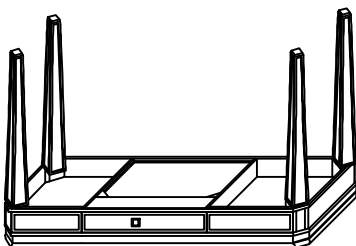
Step 2.



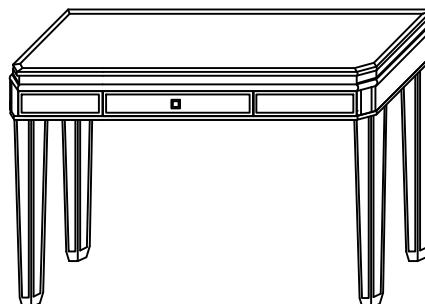
5

6

Step 3.



Step 4.



Page 1 of 1