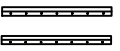


### Assembly instruction



(A)



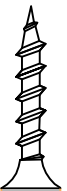
(B)



(C)



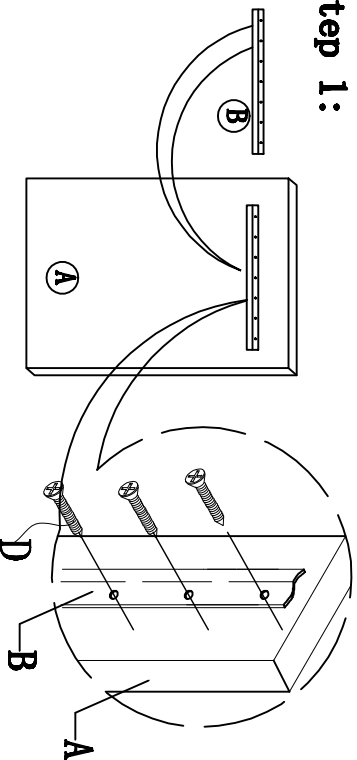
(D)



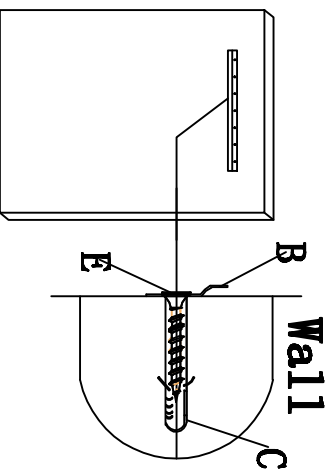
(E)

**Note:** Skipping any steps could lead to improper assembly and damages

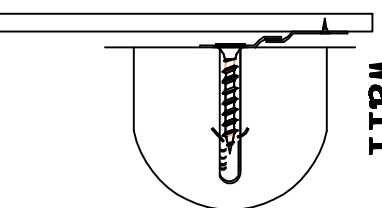
**step 1:**



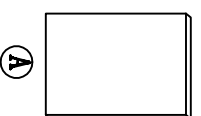
**step 2:**



**step 3:**



### Assembly instruction



(A)



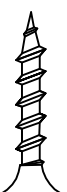
(B)



(C)



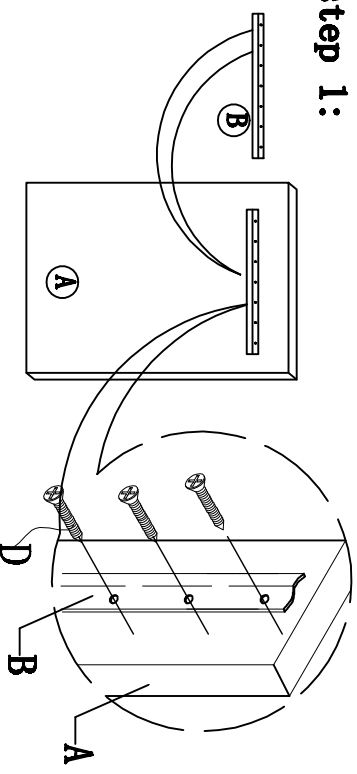
(D)



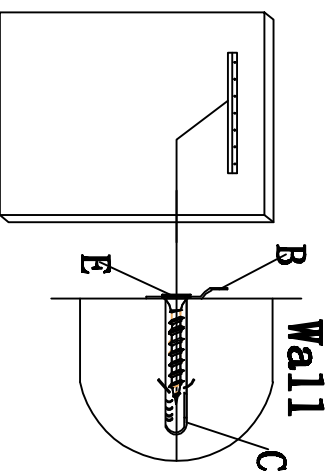
(E)

**Note:** Skipping any steps could lead to improper assembly and damages

**step 1:**



**step 2:**



**step 3:**

