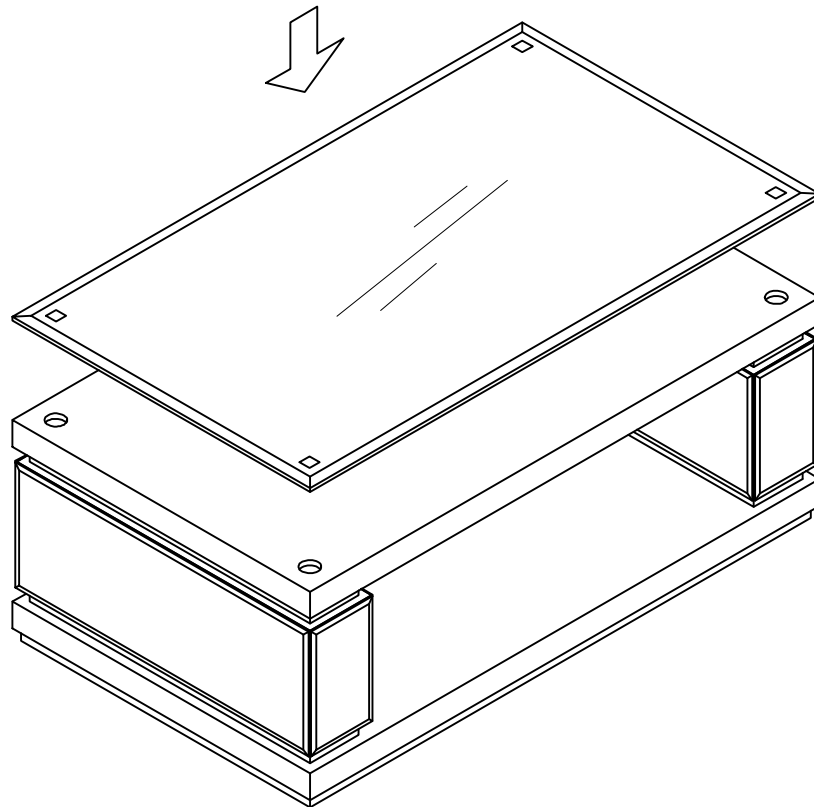


FURNITURE

## GS910 COFFEE TABLE ASSEMBLY INSTRUCTIONS



**Step 1:** Place glass on the top panel.

# STOP!

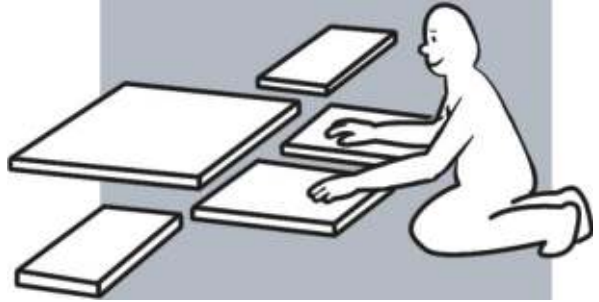
Before you start...

1



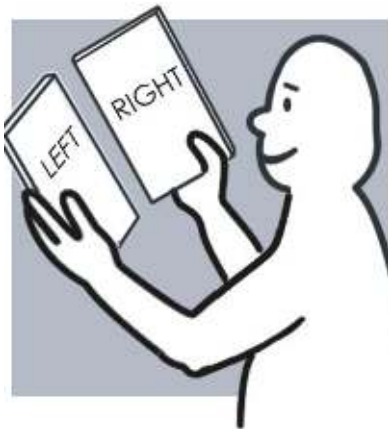
Read Instructions carefully.

2



Lay out all of the components on a soft surface as if you were preparing to do a jigsaw puzzle.

3



Carefully identify each component, especially those that are similar. The most common mistake is getting things back to front.

4



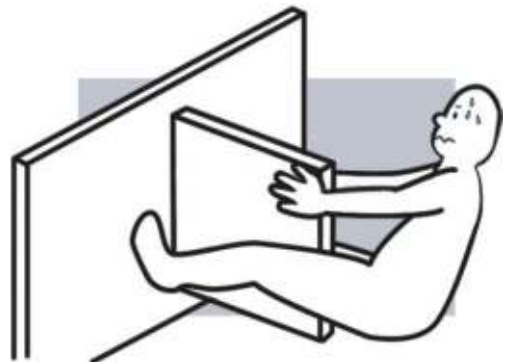
Separate and identify each component from the hardware pack— and rest each one in its proper location before fastening.

5



**DO NOT** Over-tighten screws

6



**DO NOT** set glue until you are certain that the parts belong together.

# UNIT COMPLETE

