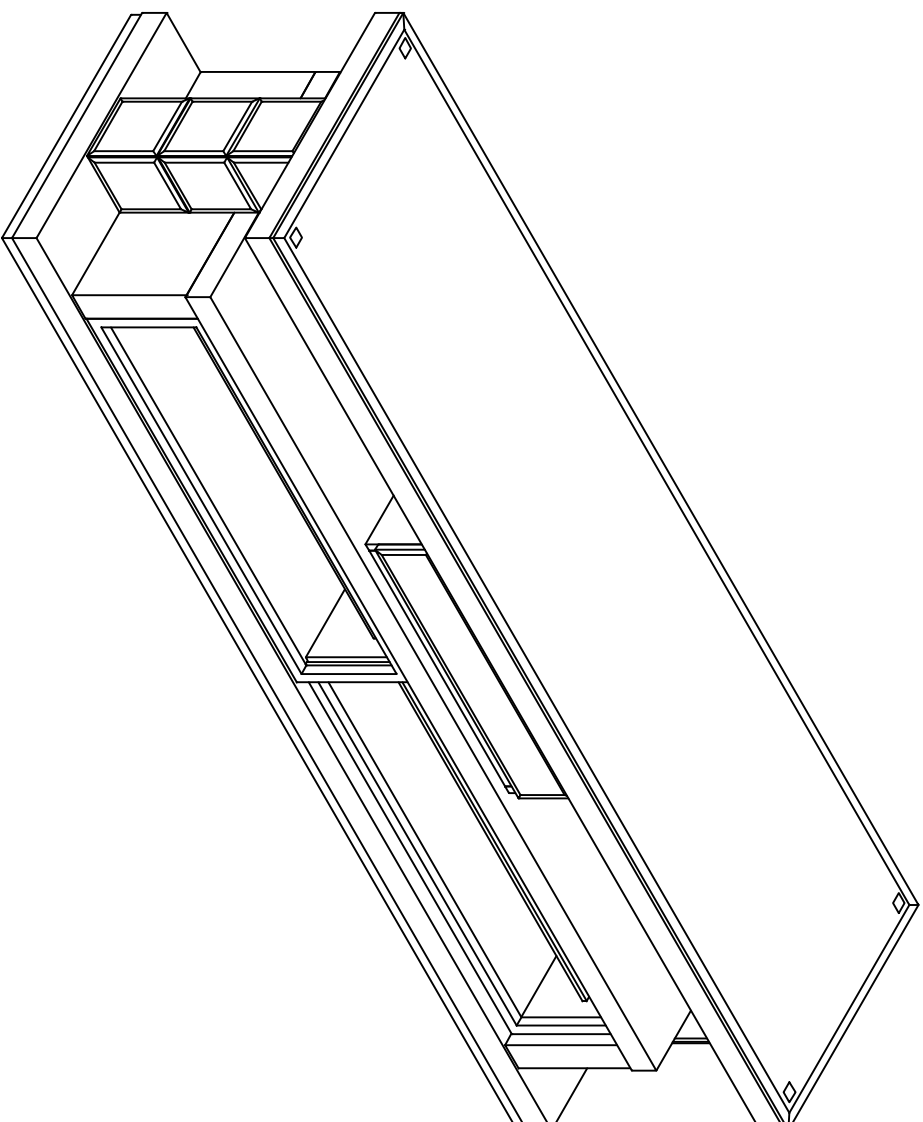


FURNITURE

GS950 ENT UNIT ASSEMBLY INSTRUCTIONS



ø6*1=8PCS

STOP!

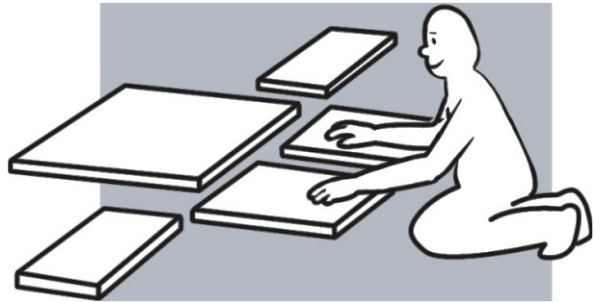
Before you start...

1



Read Instructions carefully.

2



Lay out all of the components on a soft surface as if you were preparing to do a jigsaw puzzle.

3



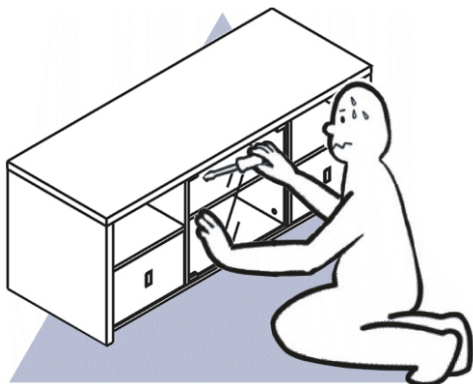
Carefully identify each component, especially those that are similar. The most common mistake is getting things back to front.

4



Separate and identify each component from the hardware pack— and rest each one in its proper location before fastening.

5



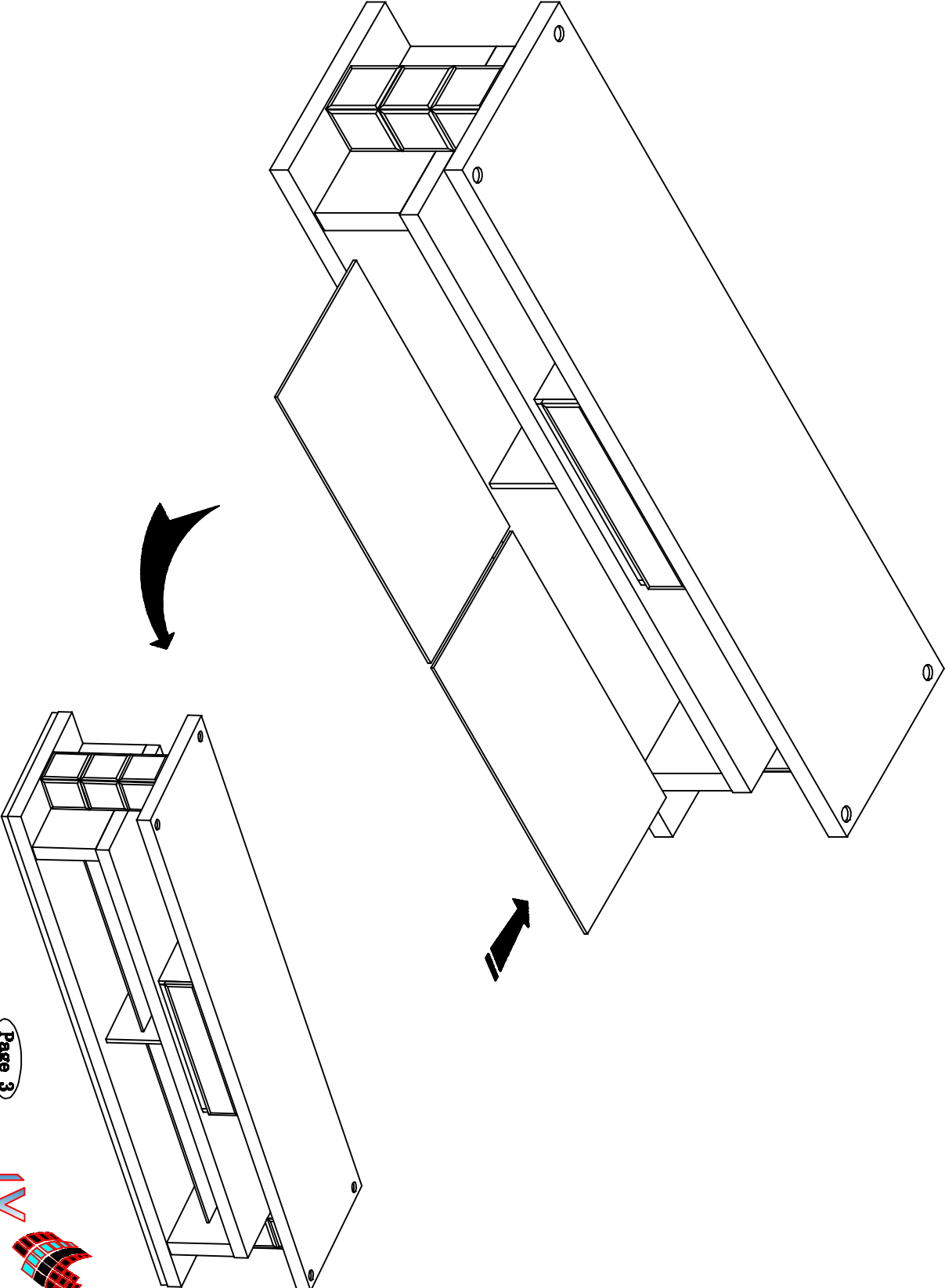
DO NOT Over-tighten screws

6

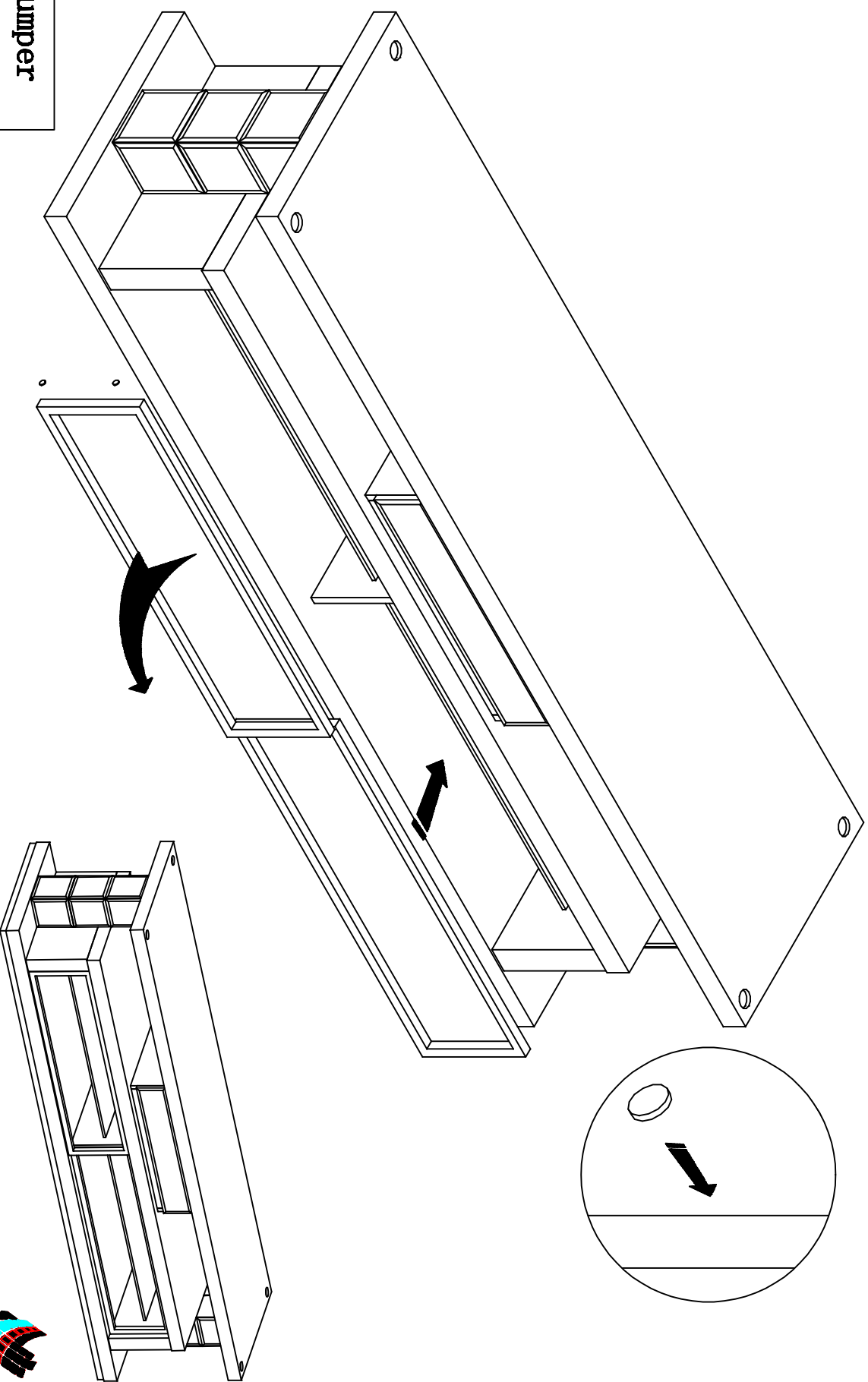


DO NOT set glue until you are certain that the parts belong together.

Step 1. place glass shelf on supporter as shown.



- Step 2.**
- a.** Stick the door bumper on the side frame of glass door as shown.
 - b.** Install the glass doors on the runner as shown.

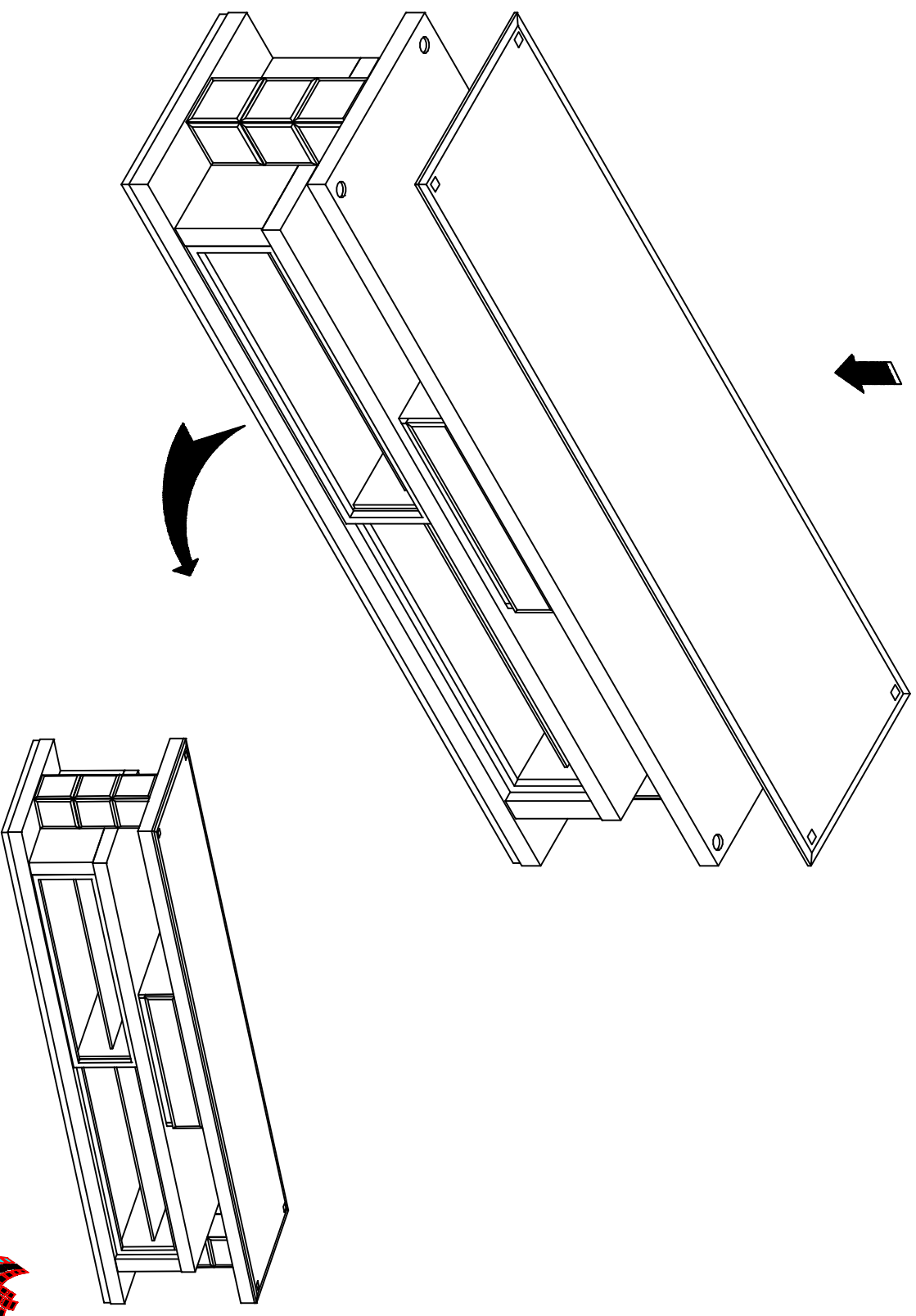


Door bumper



ø6*1=8PCS

Step 3. place glass on the top panel as shown.



GS950 ENT UNIT COMPLETE

