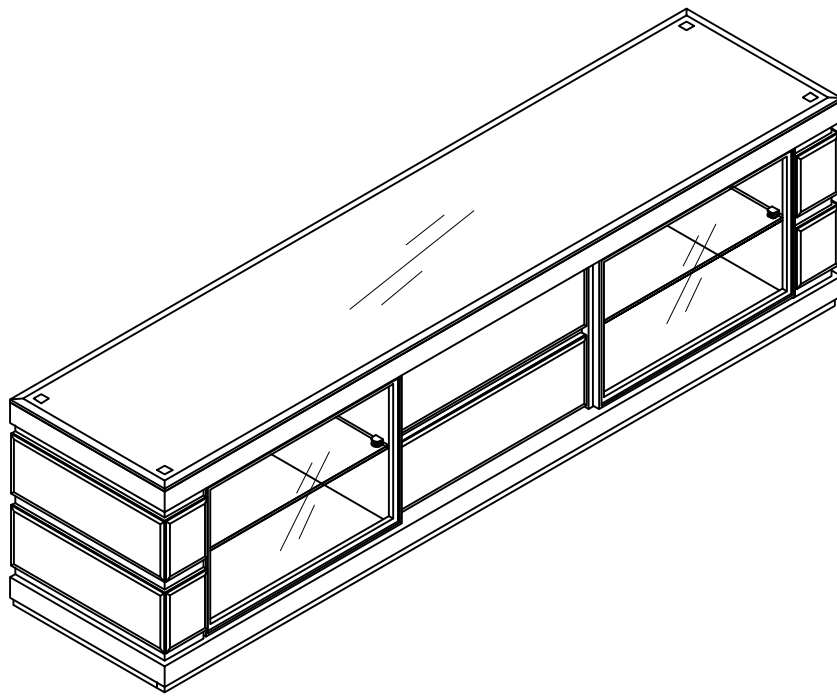


FURNITURE

GS900 ENT UNIT 2100 ASSEMBLY INSTRUCTIONS



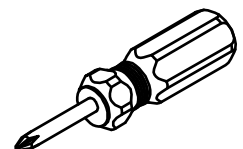
Page: 1

A



8 PCS
Door bumpers

Using Tools



1xScrewdriver

STOP!

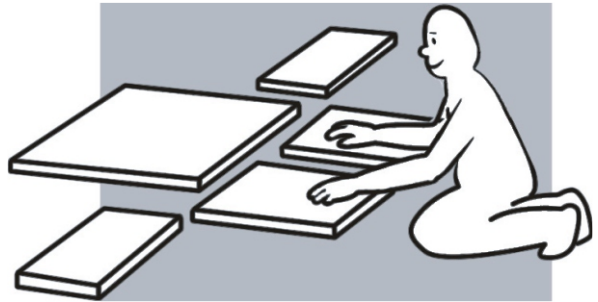
Before you start...

1



Read Instructions carefully.

2



Lay out all of the components on a soft surface as if you were preparing to do a jigsaw puzzle.

3



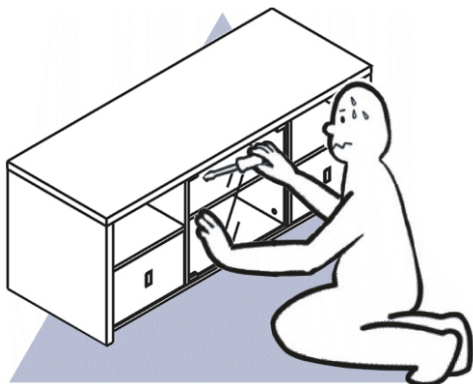
Carefully identify each component, especially those that are similar. The most common mistake is getting things back to front.

4



Separate and identify each component from the hardware pack— and rest each one in its proper location before fastening.

5



DO NOT Over-tighten screws

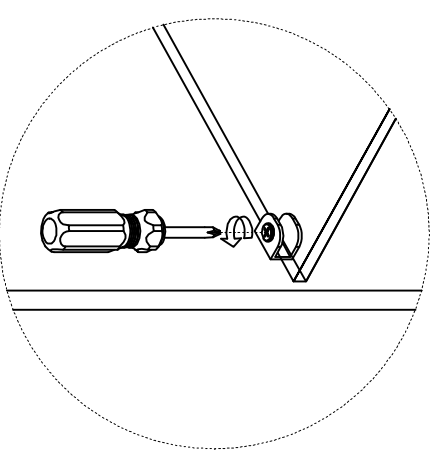
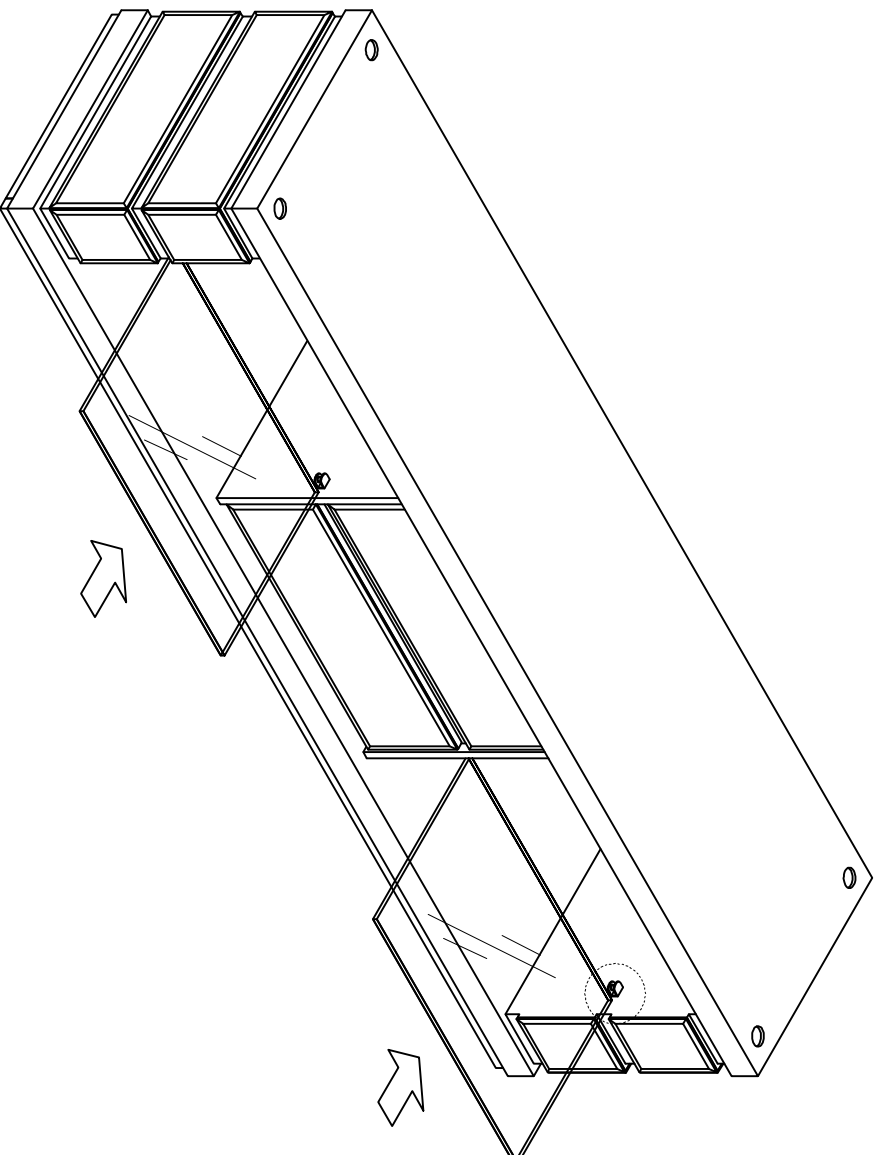
6



DO NOT set glue until you are certain that the parts belong together.

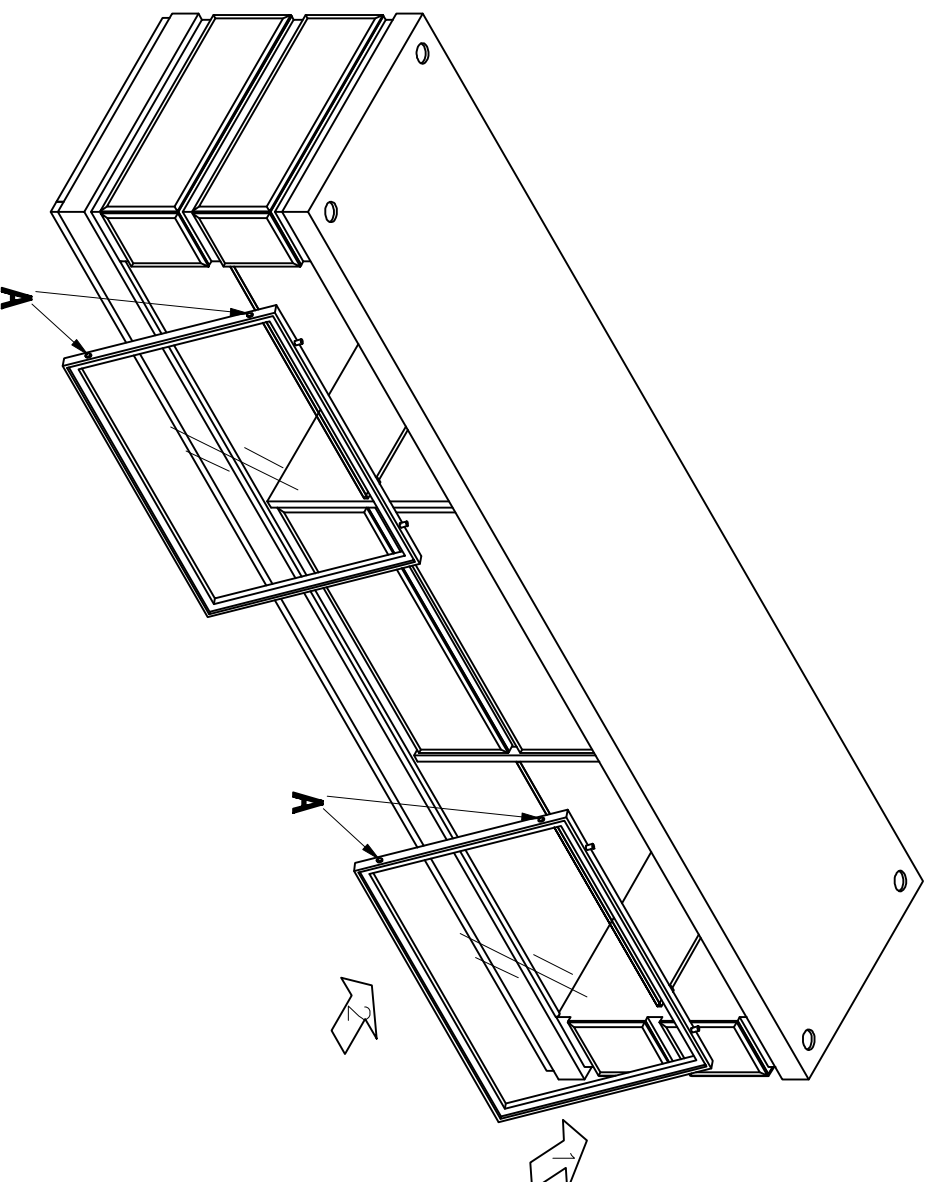
Step 1:

Put the glass shelf on the supporter and tie screws with screw driver as shown.

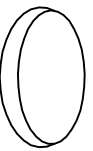


Step 2:

- a. Install the glass doors on the runner as shown.
- b. Stick A. () on the side frame as shown.

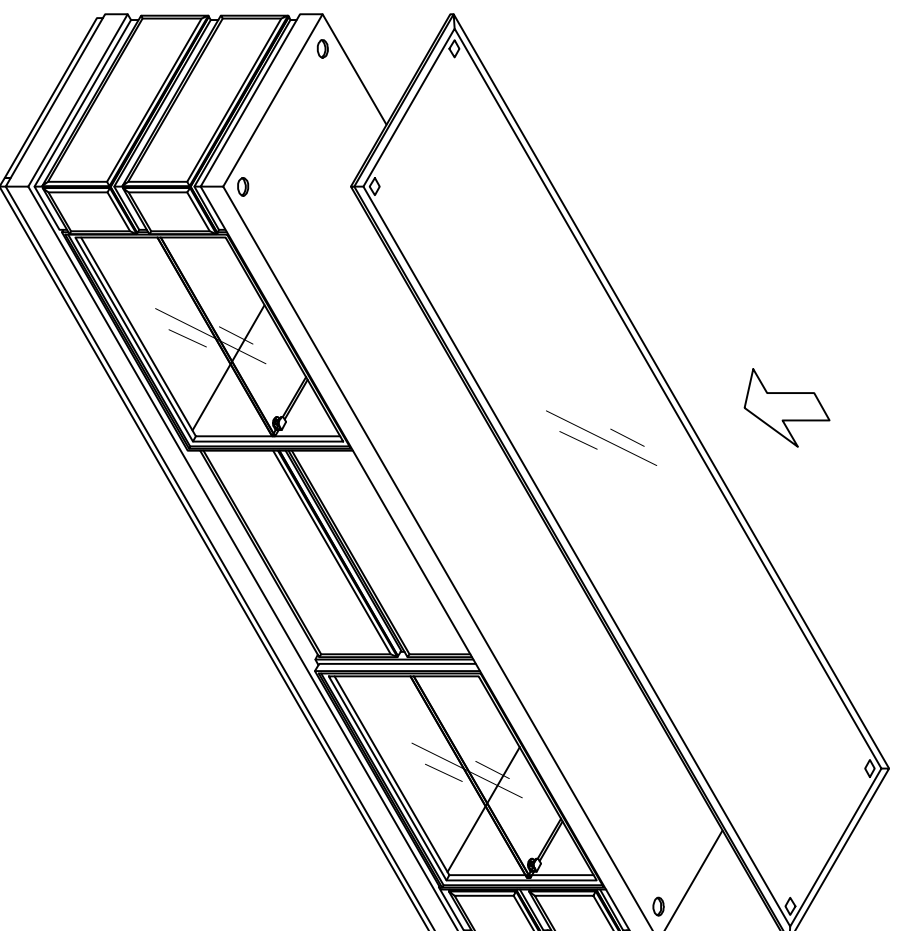


A



8 PCS
Door bumpers

Step 3: Place glass on the top panel as shown.



UNIT COMPLETE

