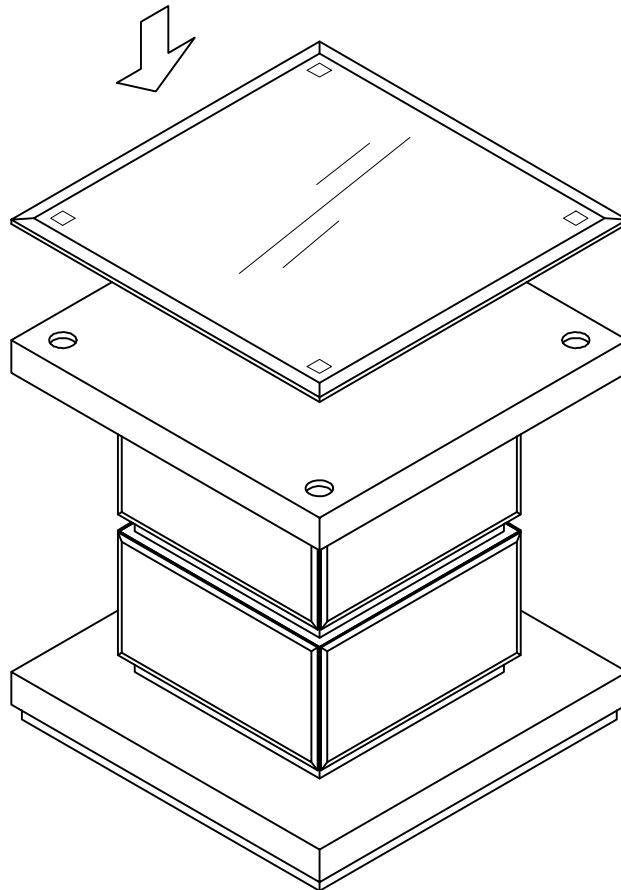




FURNITURE

GS920 LAMP TABLE ASSEMBLY INSTRUCTIONS



Step 1: Place glass on the top panel as shown.

UNIT COMPLETE

