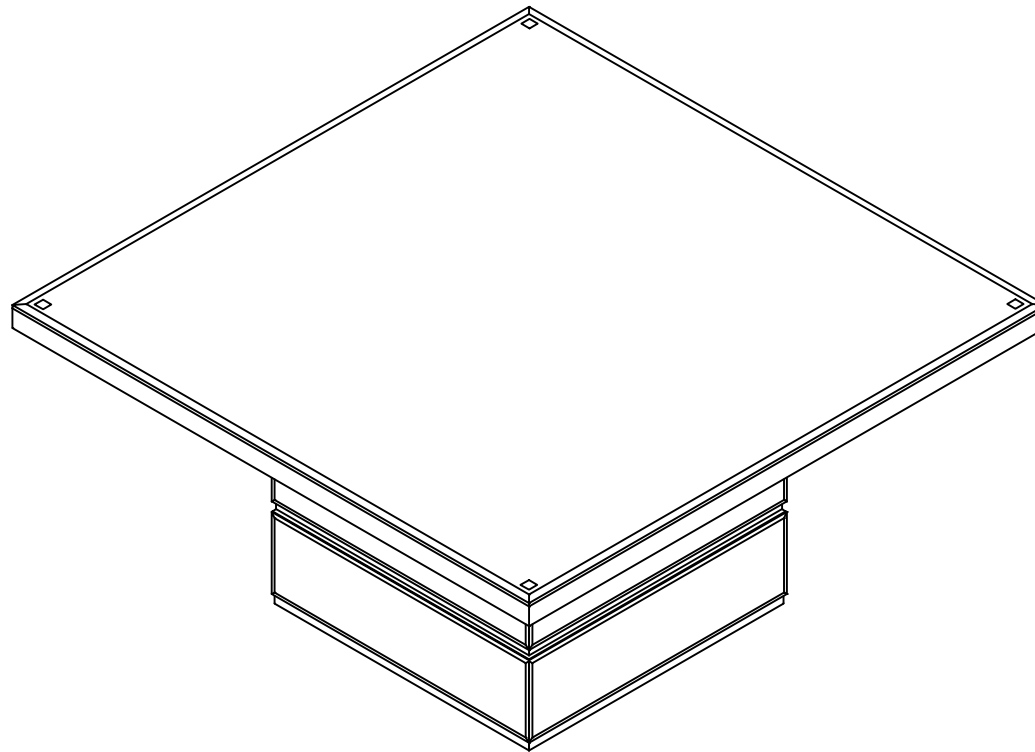




## GS1100DT 1500X1500 DINING TABLE ASSEMBLY INSTRUCTIONS



### Using Tools



1xScrewdriver

A.



12xThreaded wire  
M8x35

B.



4xThreaded wire  
M6x45

# STOP!

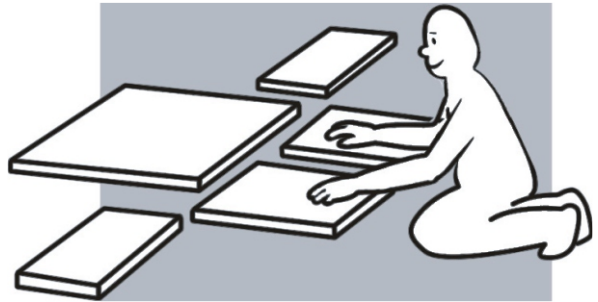
Before you start...

1



Read Instructions carefully.

2



Lay out all of the components on a soft surface as if you were preparing to do a jigsaw puzzle.

3



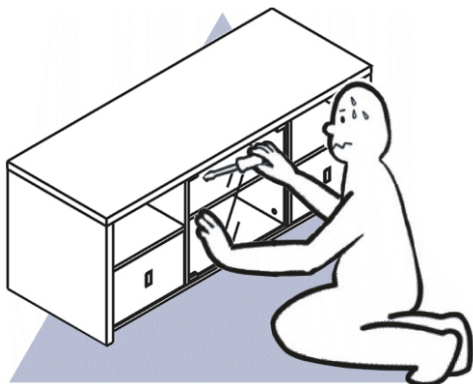
Carefully identify each component, especially those that are similar. The most common mistake is getting things back to front.

4



Separate and identify each component from the hardware pack— and rest each one in its proper location before fastening.

5




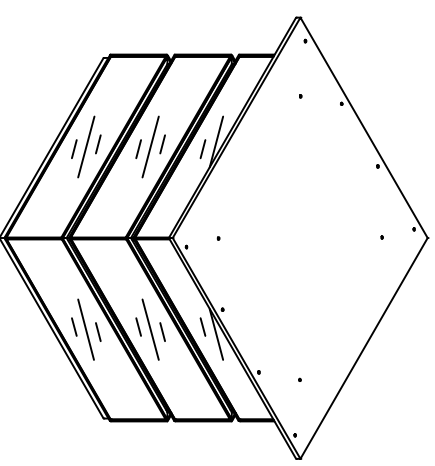
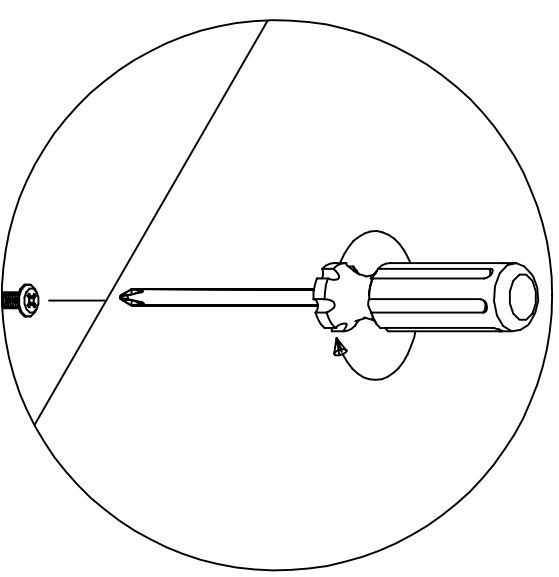
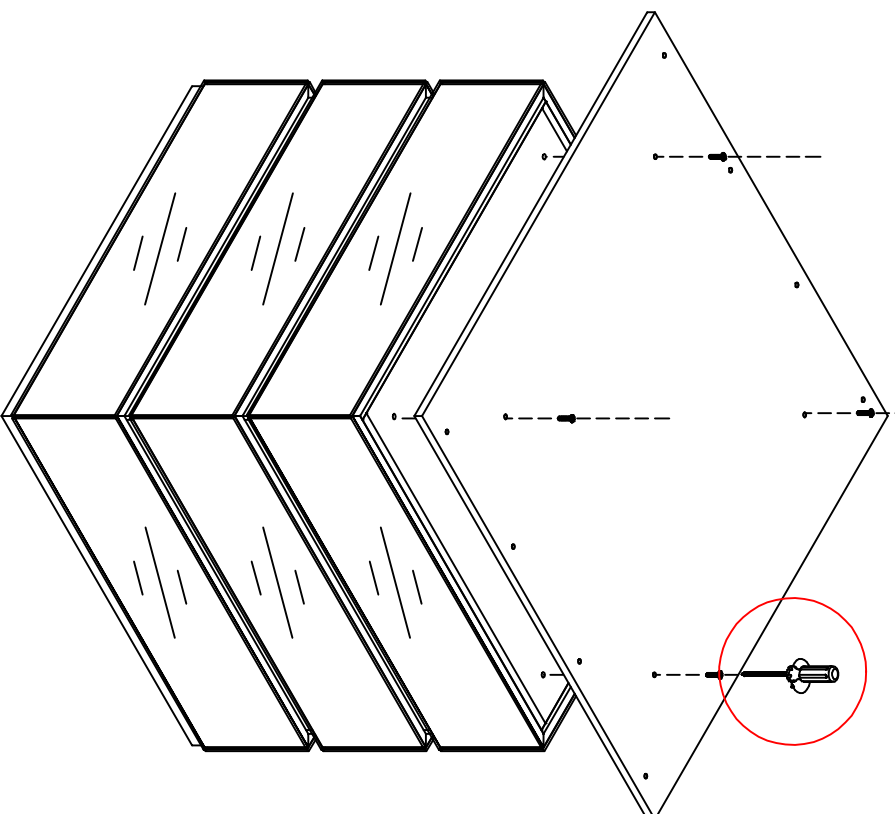
**DO NOT** Over-tighten screws

6




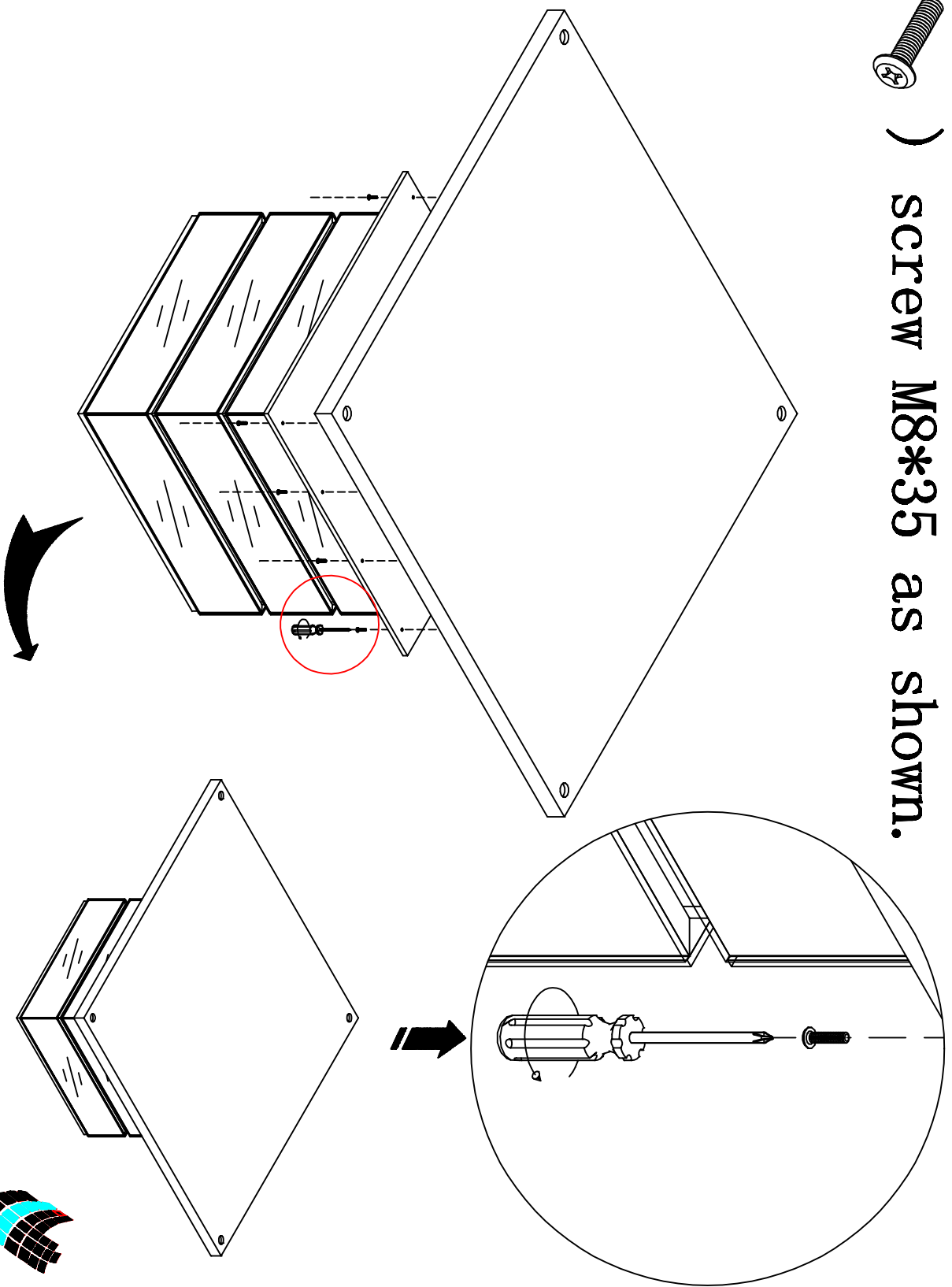
**DO NOT** set glue until you are certain that the parts belong together.

Step 1. Attach the bottom panel to the main body with A. (  ) screw M8\*35 as shown.




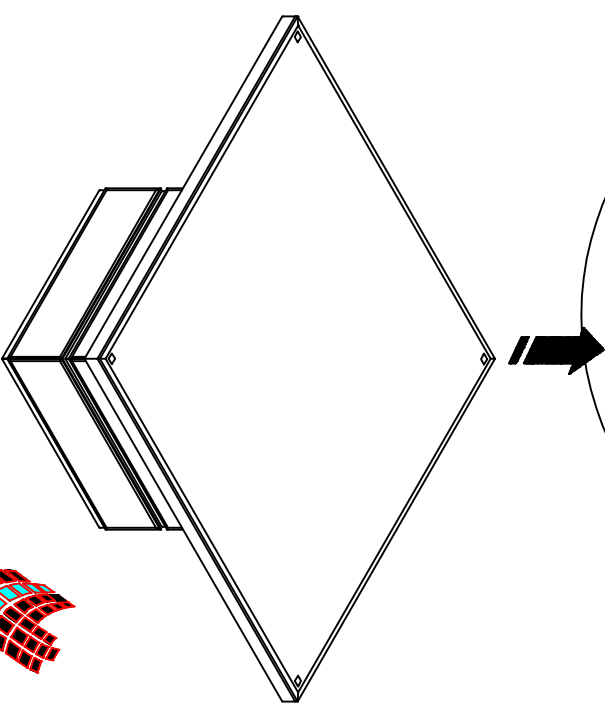
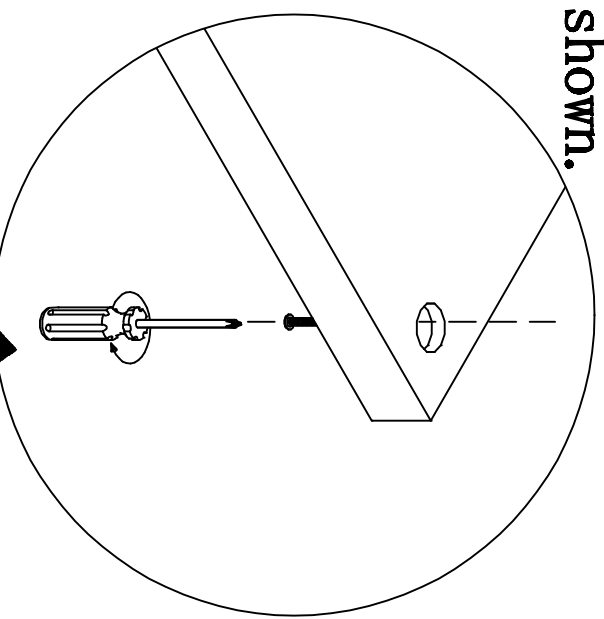
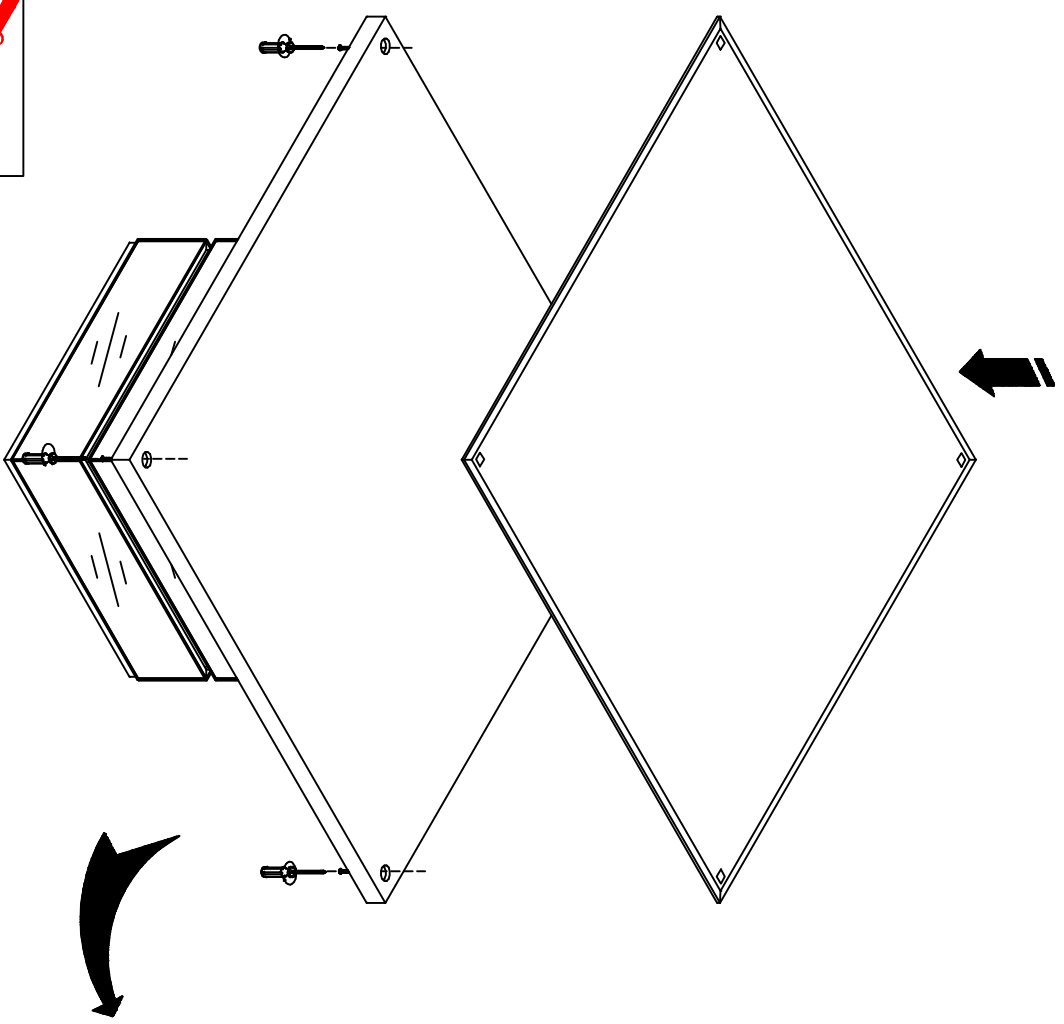
A. 4x Threaded  
wire M8x35

Step 2. Attach the bottom board to the main body with A. (  ) screw M8\*35 as shown.



A.  
8xThreaded  
wire M8x35

Step 3. place glass on the top panel as shown. Fix the glass with panel with B. (  ) screw M6\*45 as shown.



B. 

4xThreaded wire  
M6x45

# GS1100ST UNIT COMPLETE

