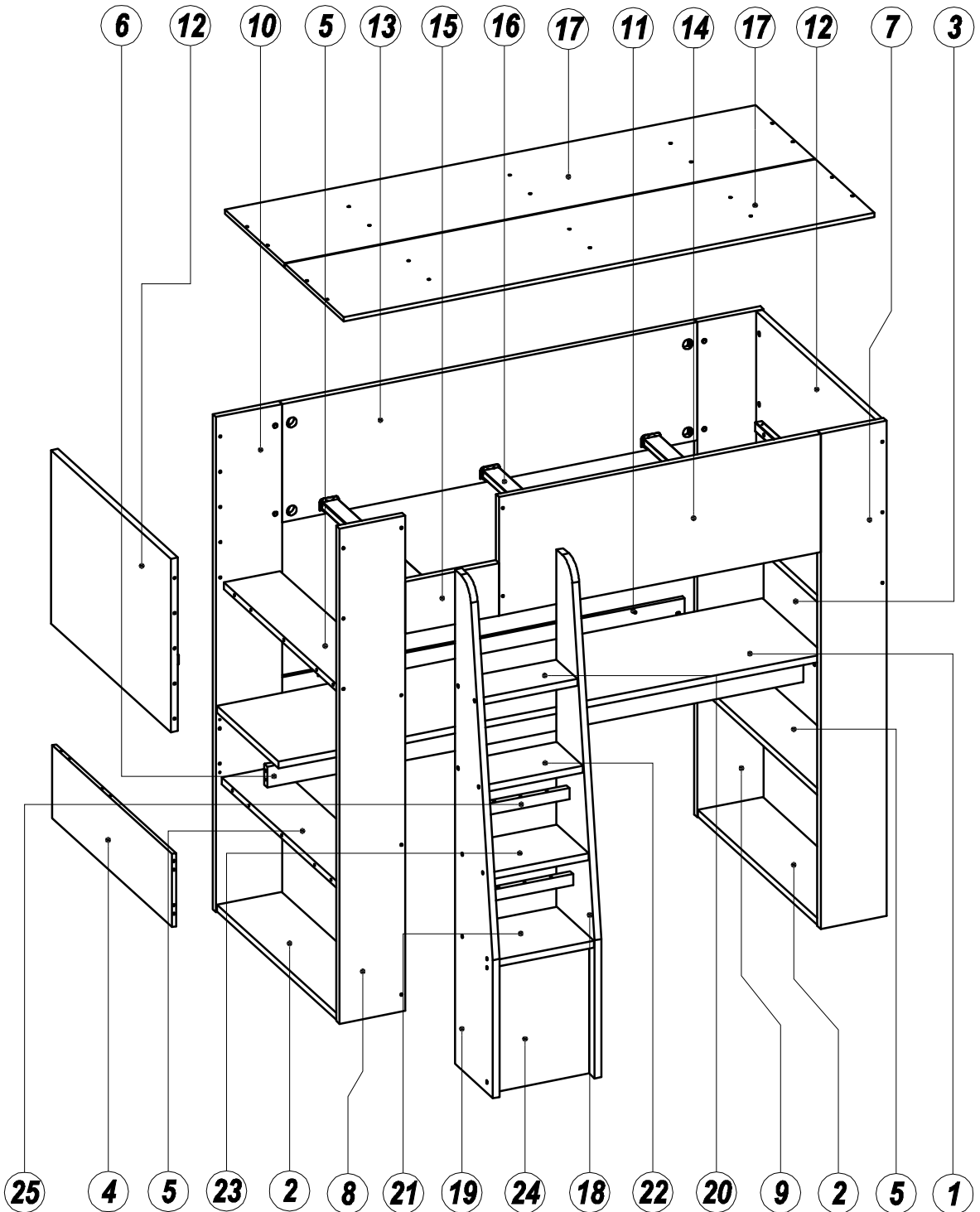
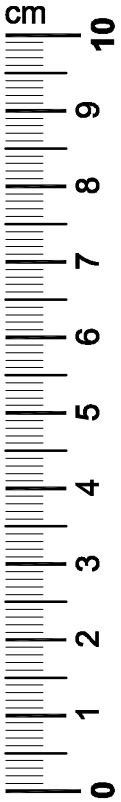
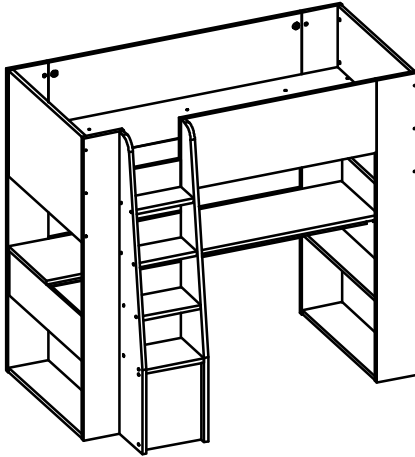
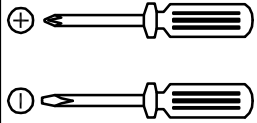
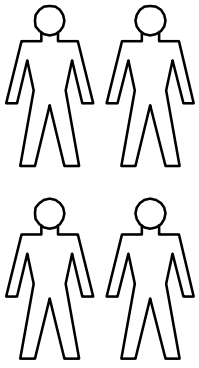
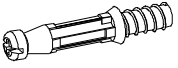



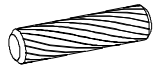
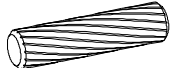
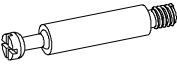



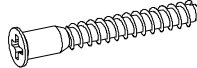
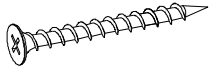

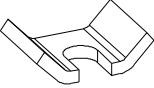




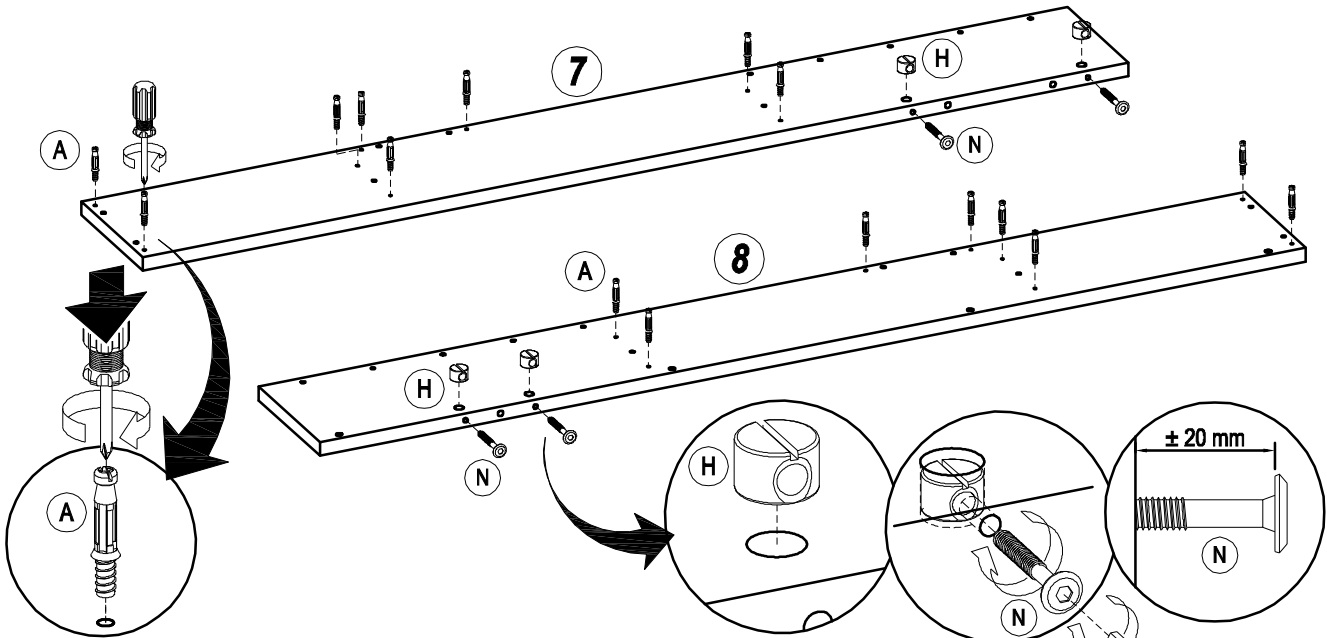
NEMOS LVF



1. **WARNING: TOP BUNKS AND ELEVATED BUNKS BEDS ARE DANGEROUS AND ARE NOT RECOMMENDED FOR CHILDREN UNDER THE AGE OF 9**
2. **WARNING: THE UPPER BUNK MUST BE MORE THAN 2 METERS FROM ANY CEILING FAN**

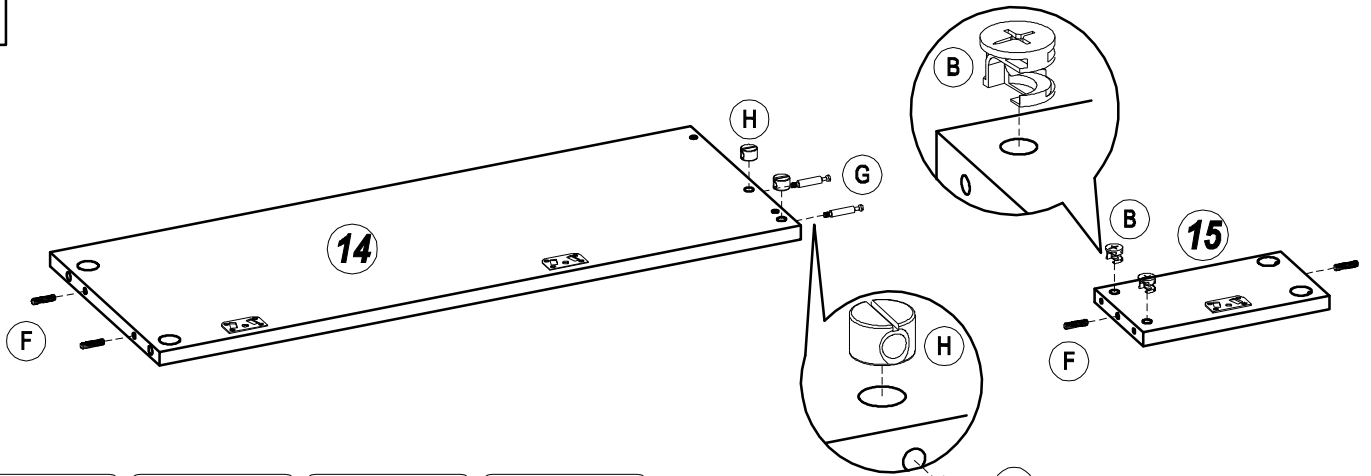
<p>A x 57</p> 	<p>B x 59</p> 	<p>C x 46</p> 	<p>D x 71</p> 	<p>E x 4</p> <p>Ø7.8 X 40 mm</p> 	<p>F x 8</p> <p>Ø9.8 X 40 mm</p> 
<p>G x 6</p> <p>Ø7 X 34 mm</p> 	<p>H x 26</p> 	<p>J x 10</p> 	<p>K x 1</p> 	<p>L x 23</p> 	<p>M x 20</p> 
<p>N x 20</p> <p>Ø6 X 60 mm</p> 	<p>O x 8</p> 	<p>P x 14</p> <p>Ø25 mm</p> 	<p>Q x 8</p> <p>Ø50 mm</p> 		

1



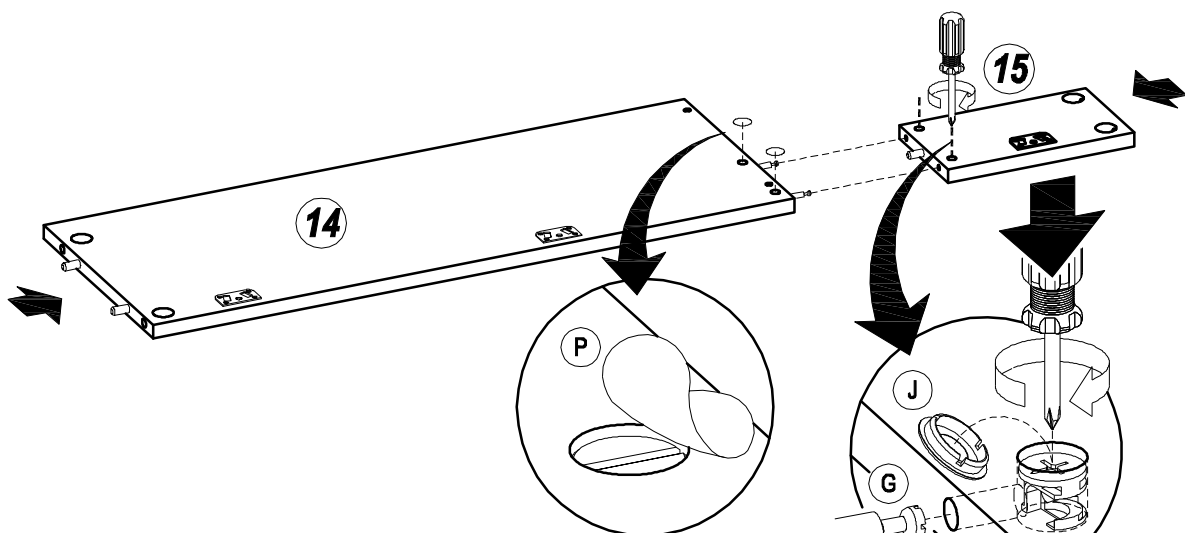
A x 16	H x 4	N x 4	K x 1

2

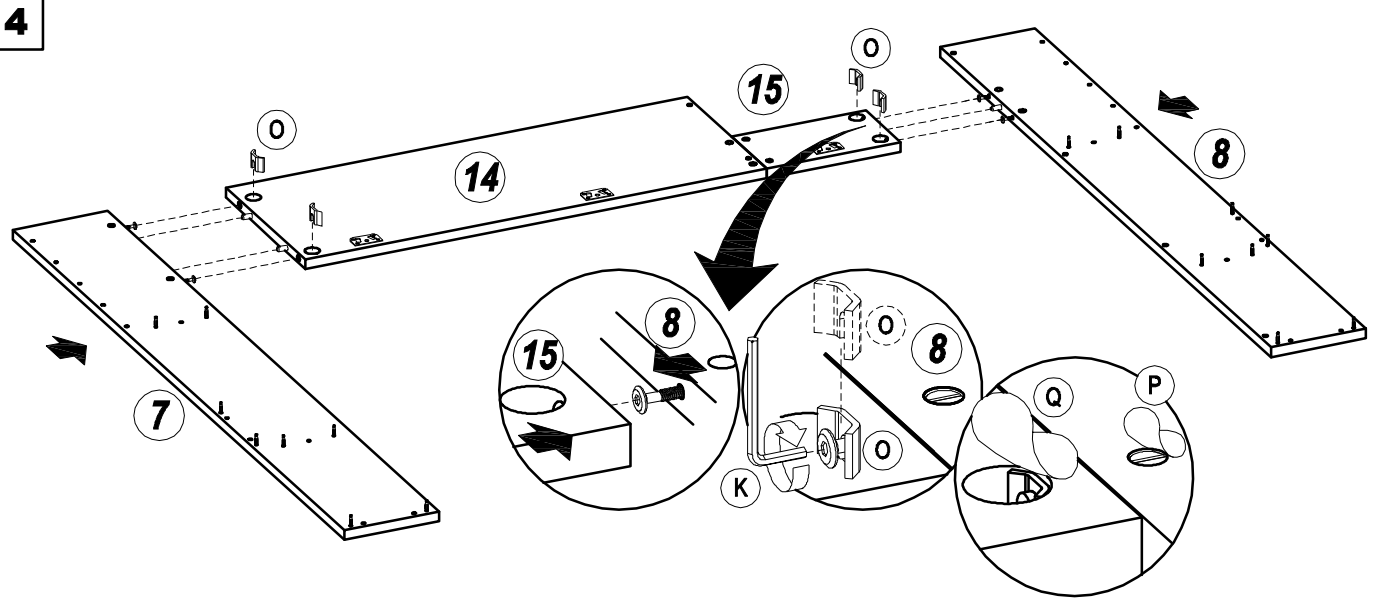


B x 2	F x 4	G x 2	H x 2

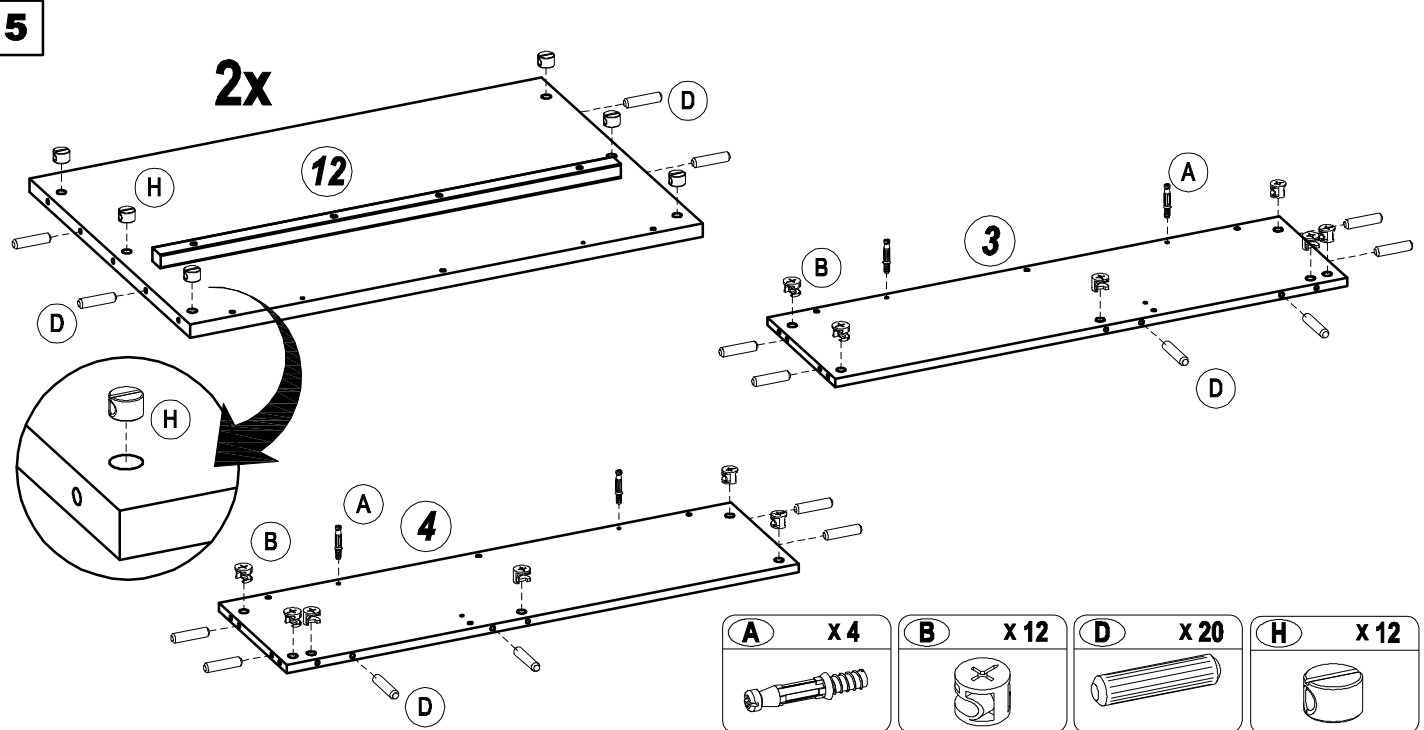
3



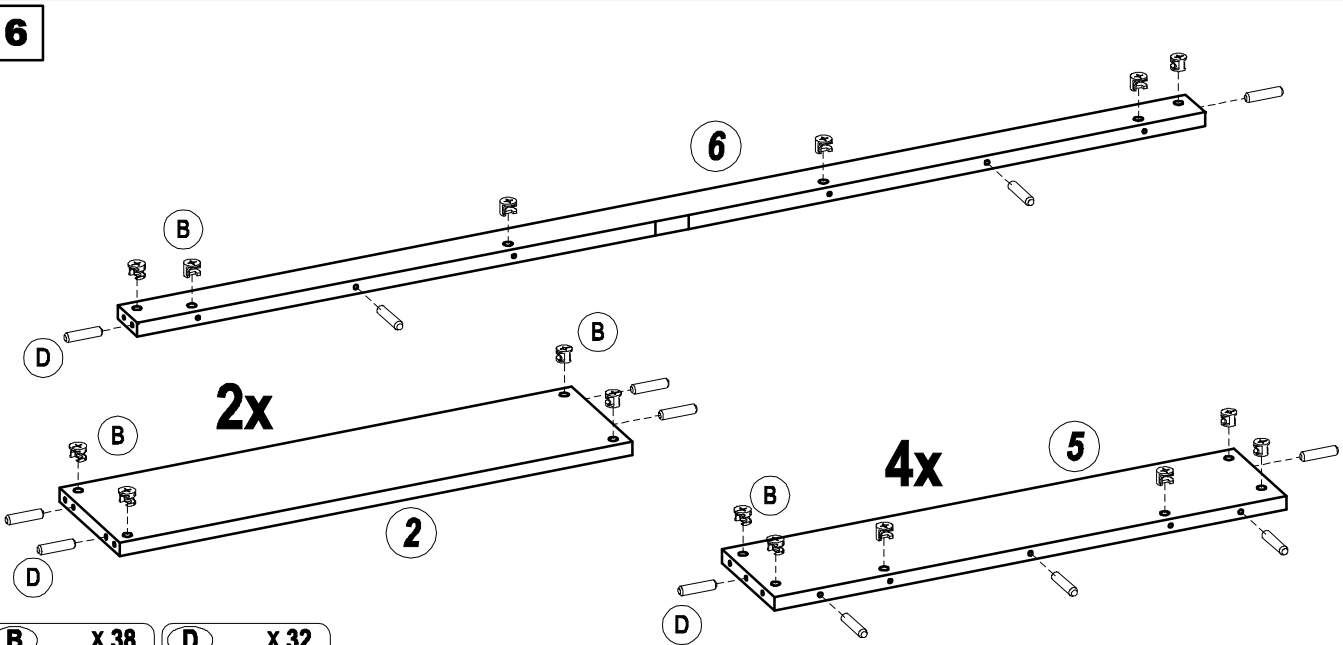
U x 2	J x 2



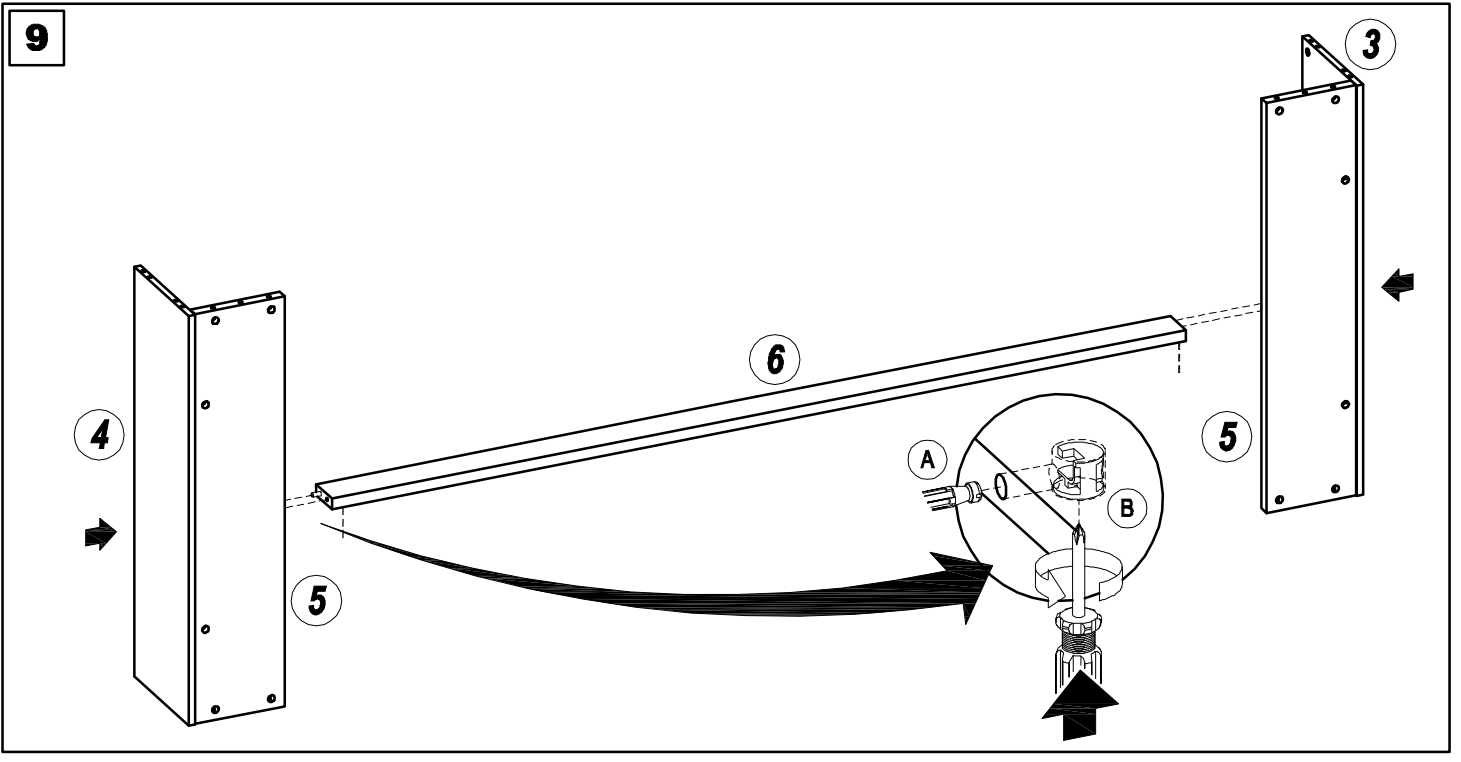
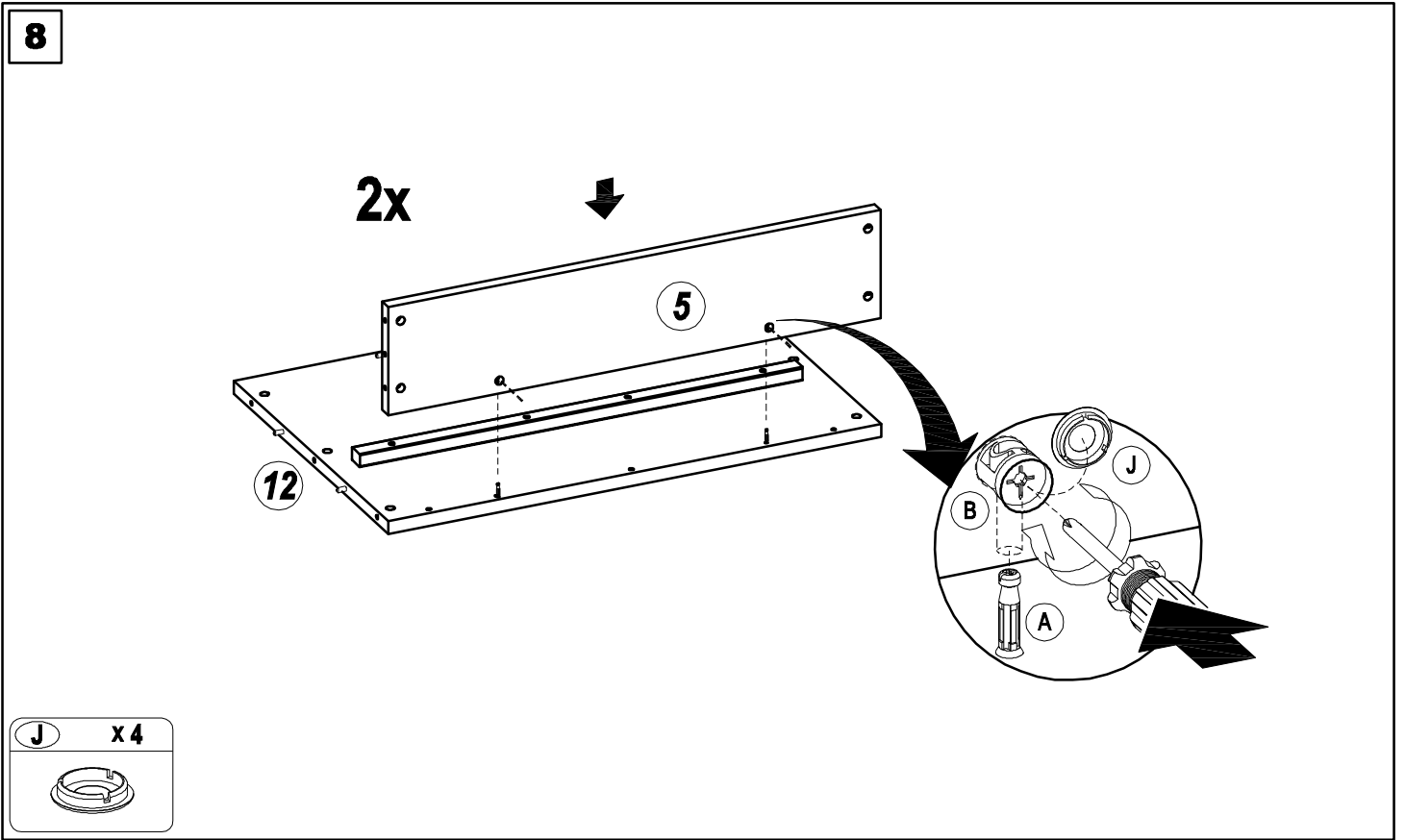
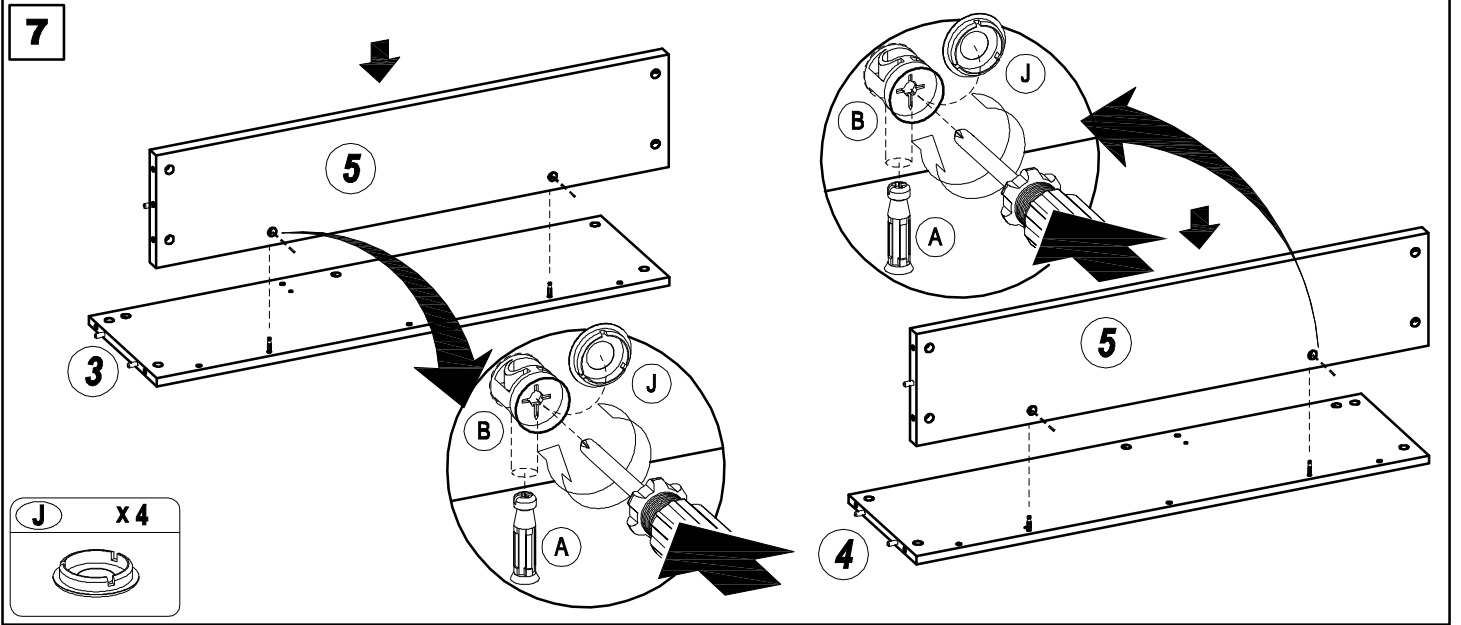
O x4	P x4	Q x4
	Ø25 mm	Ø50 mm



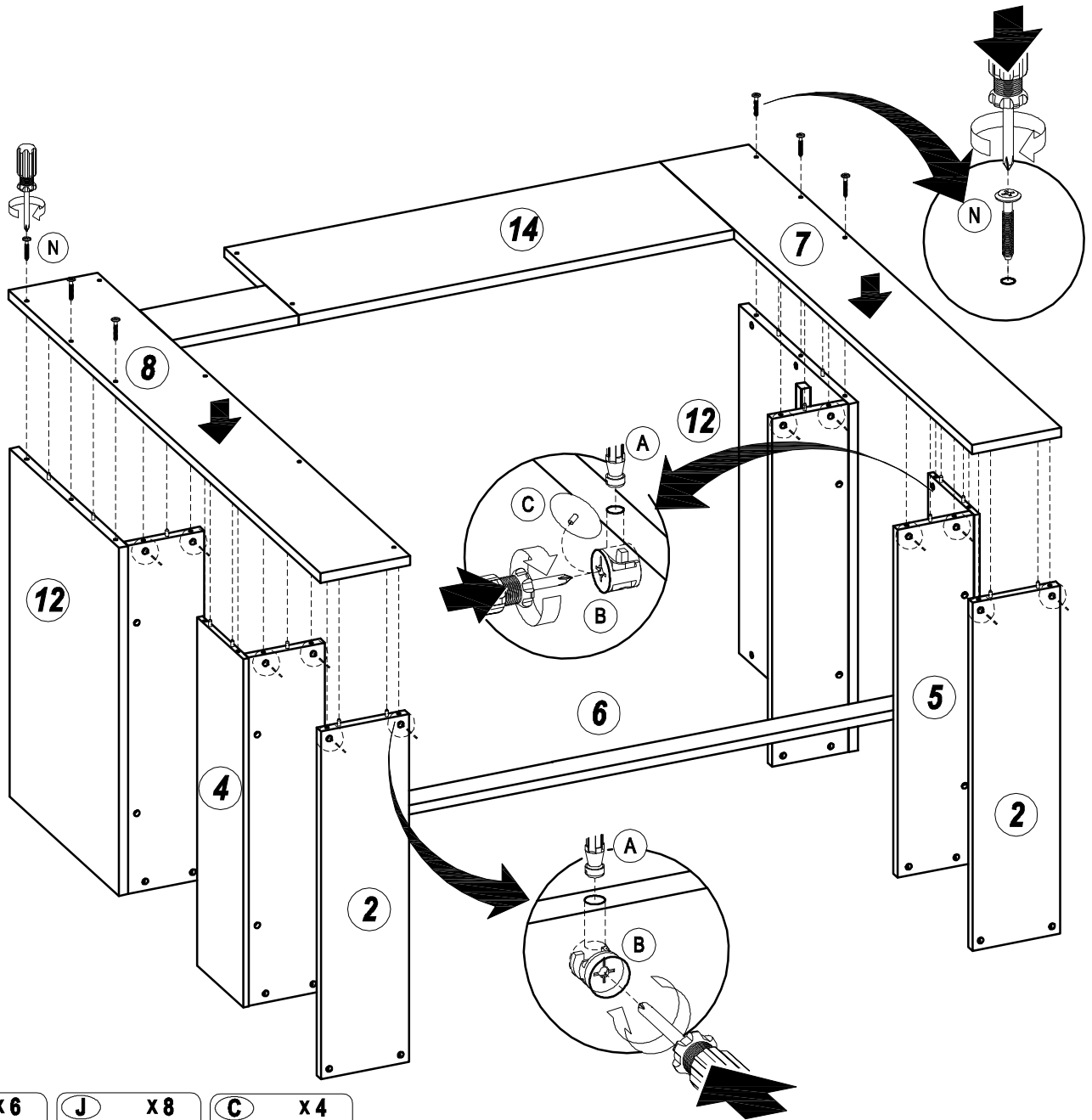
A x4	B x12	D x20	H x12



B x38	D x32

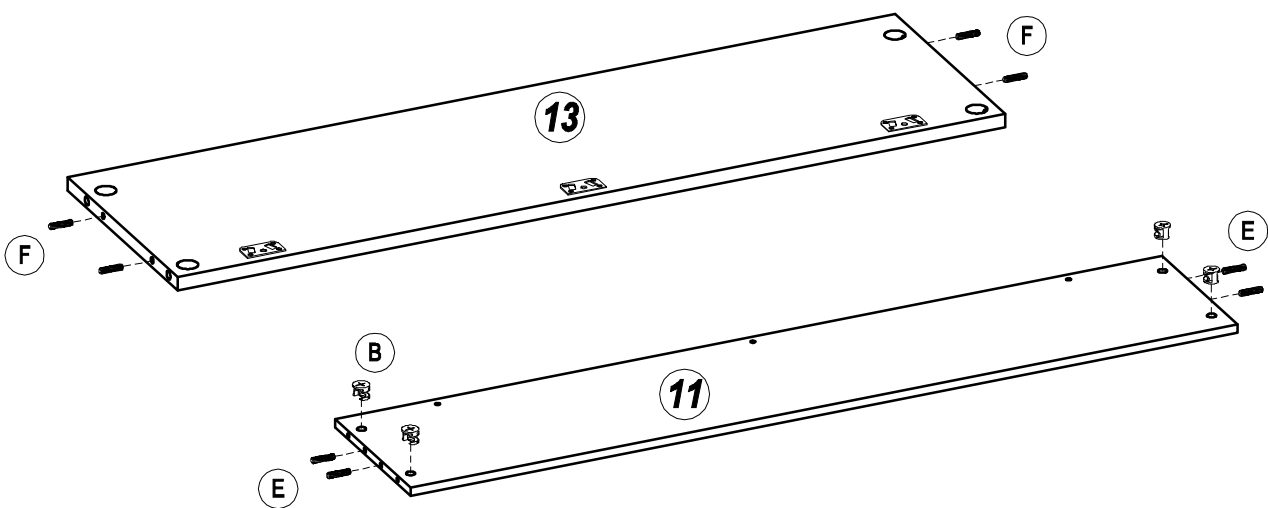


10



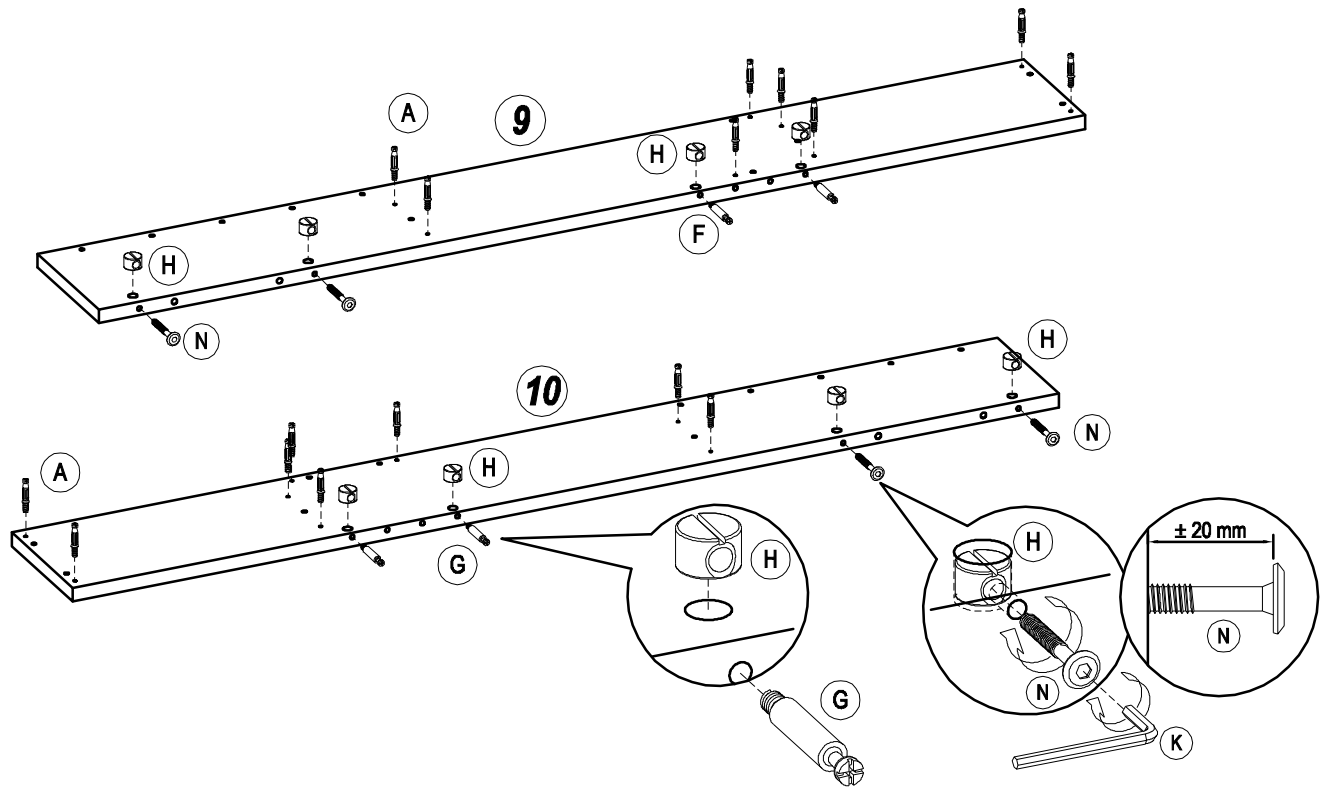
- | | | |
|-------------|-------------|-------------|
| P x6 | J x8 | C x4 |
| | | |

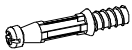



11



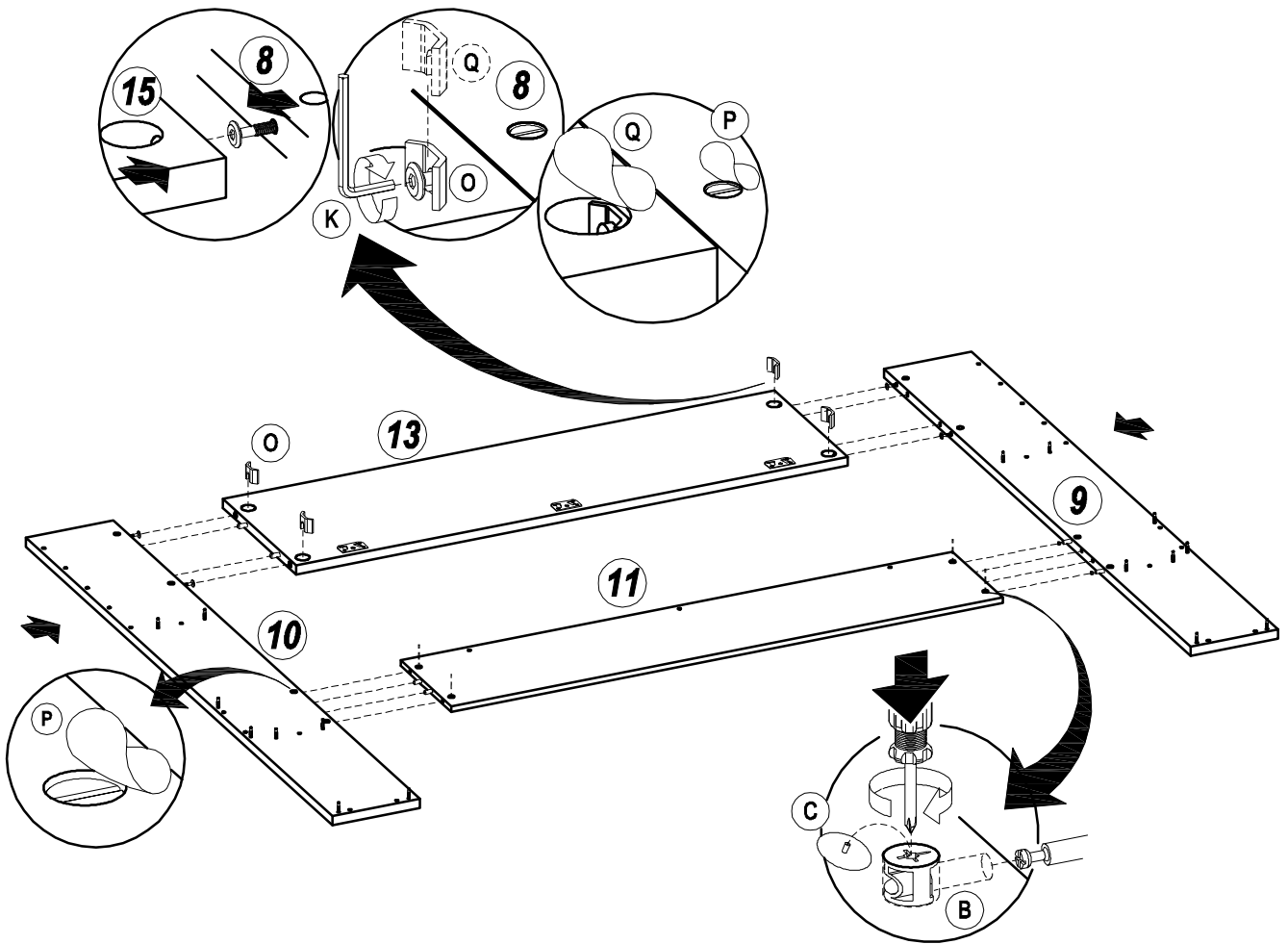
- | | | |
|-------------|-------------|--------------|
| B x4 | E x4 | D x20 |
| | | |





12



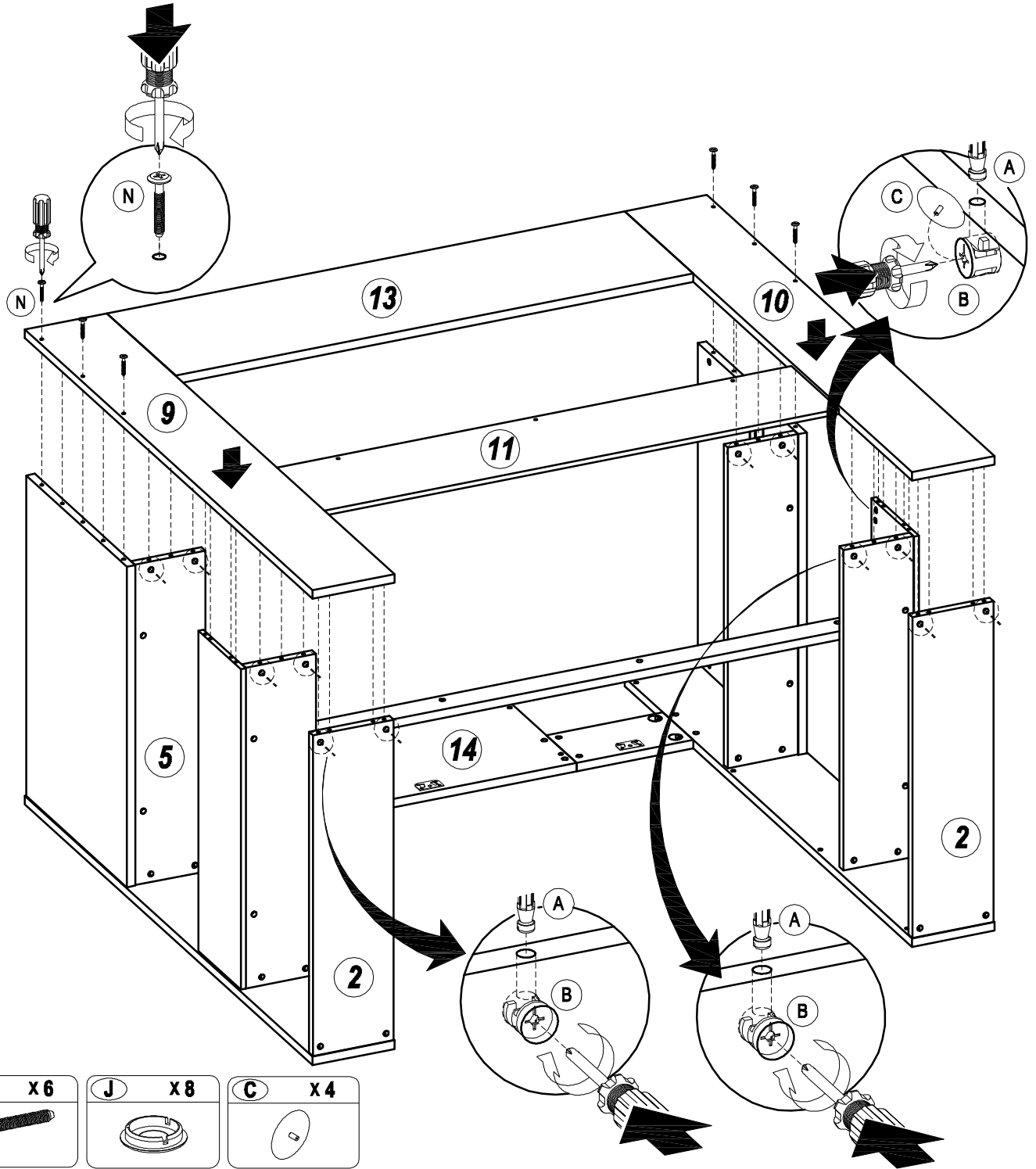
A x 16	G x 4	H x 8	N x 4
	 Ø7 X 34 mm		 Ø6 X 60 mm




13



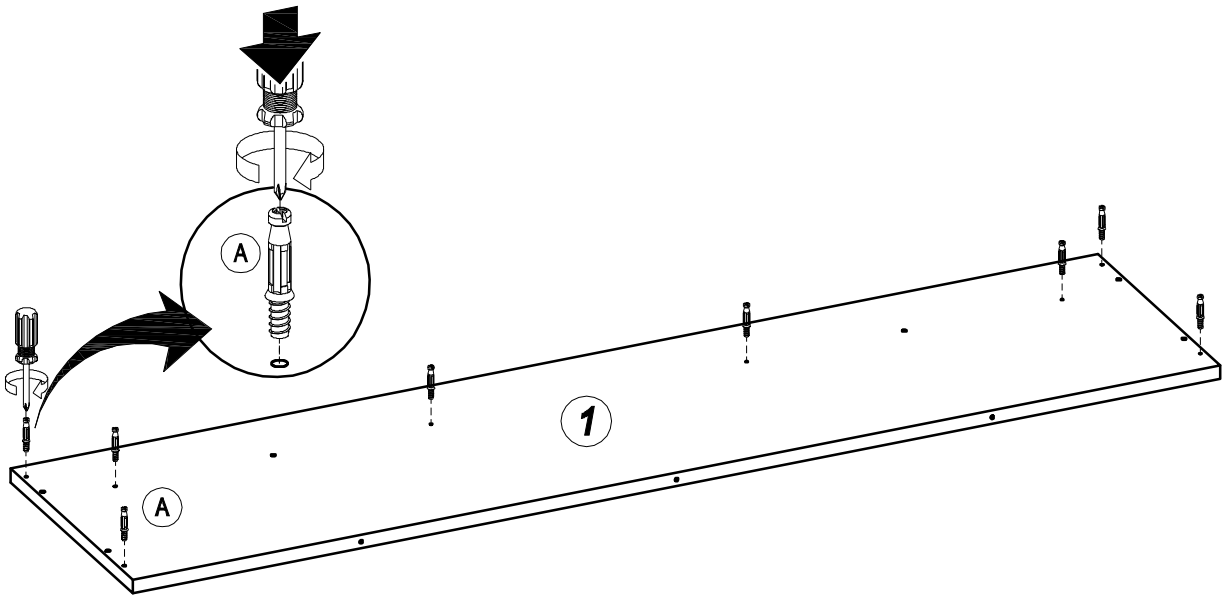
C x 4	U x 8	V x 4	Q x 4
	 Ø25 mm	 Ø50 mm	

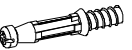
14



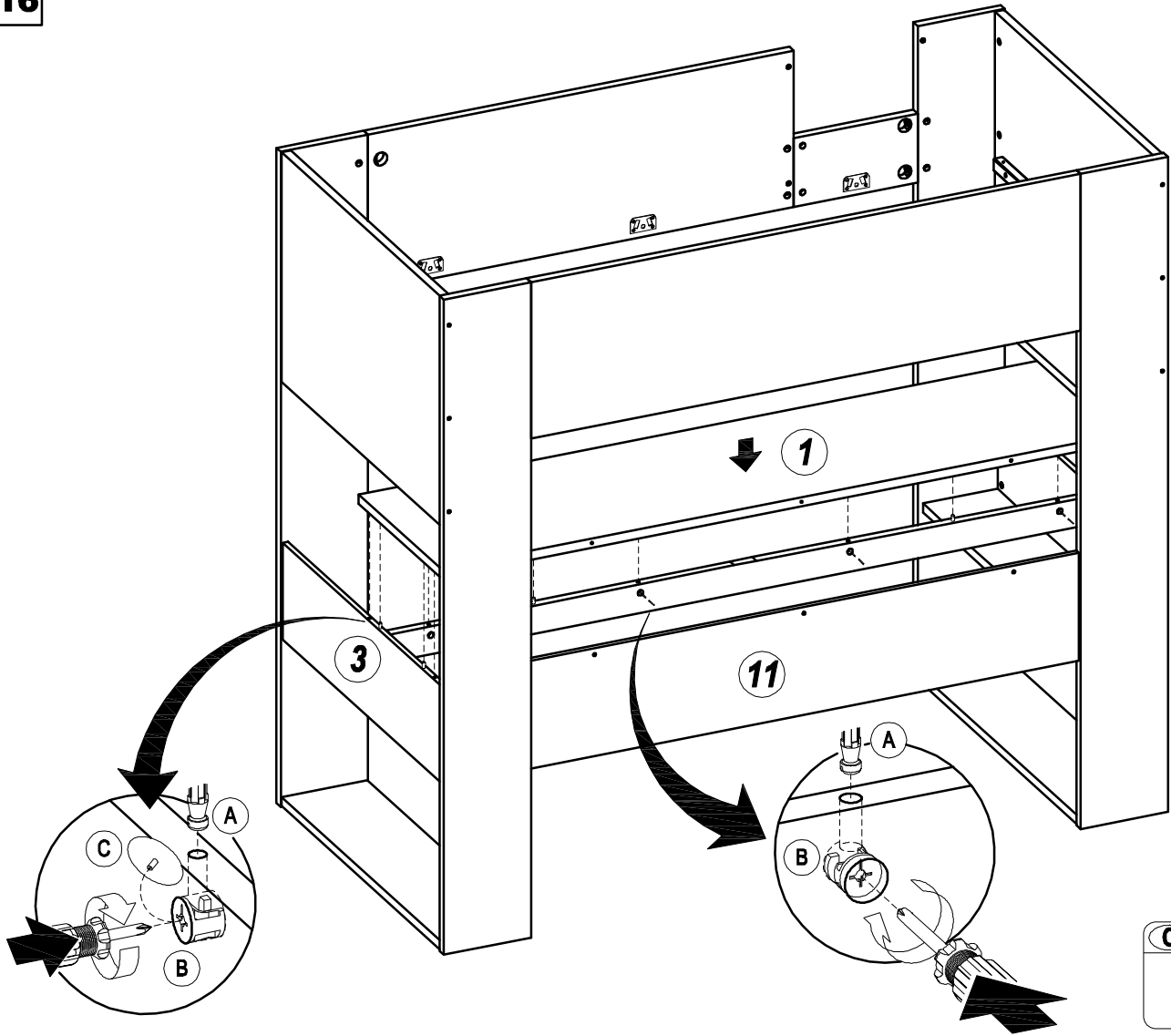
- | | | | | | |
|---|----|---|----|---|----|
| N | x6 | J | x8 | C | x4 |
|  | |  | |  | |

15

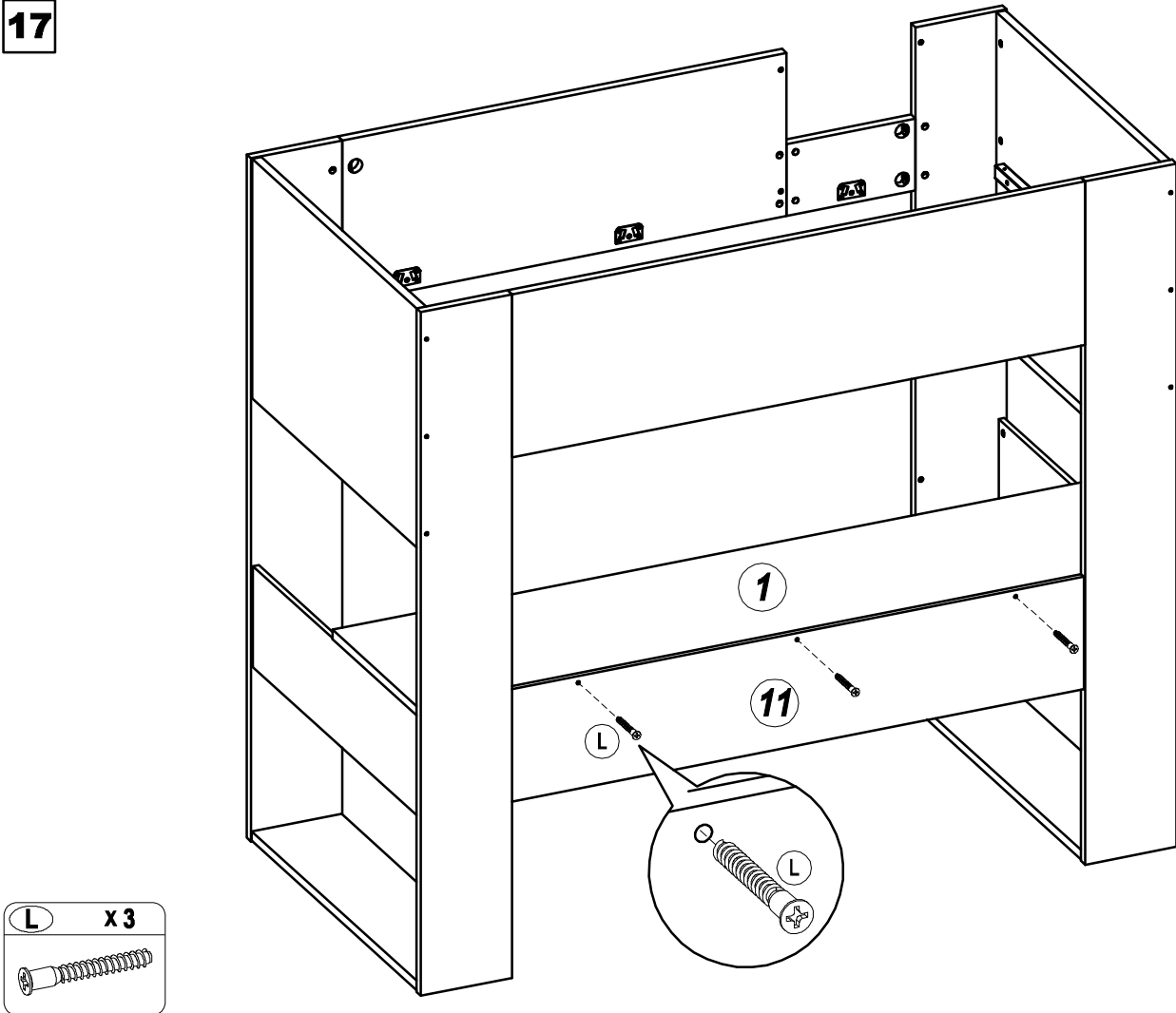


- | | |
|---|----|
| A | x8 |
|  | |

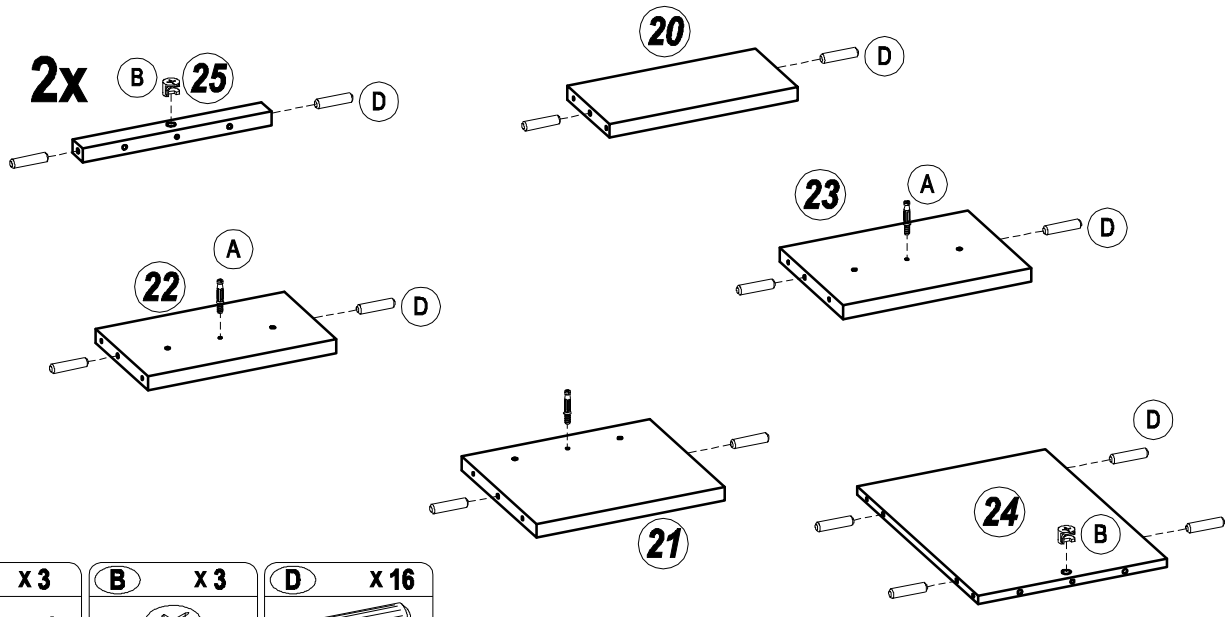
16



17

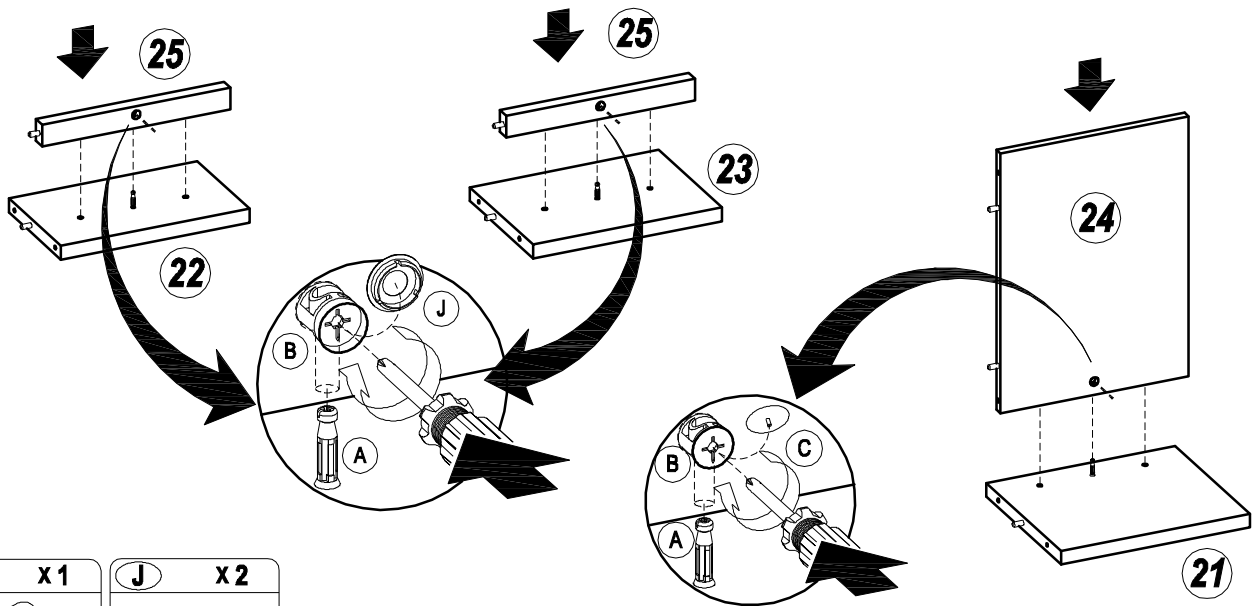


18



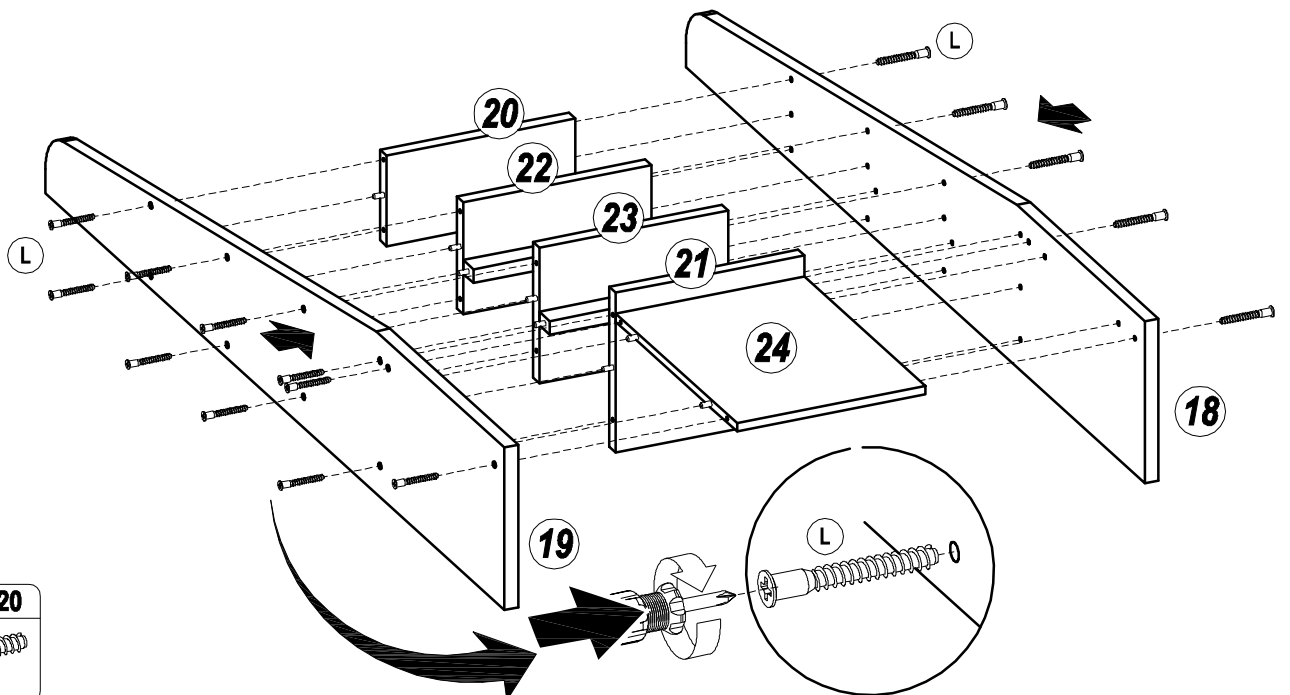
- | | | |
|-------------|-------------|--------------|
| A x3 | B x3 | D x16 |
| | | |

19



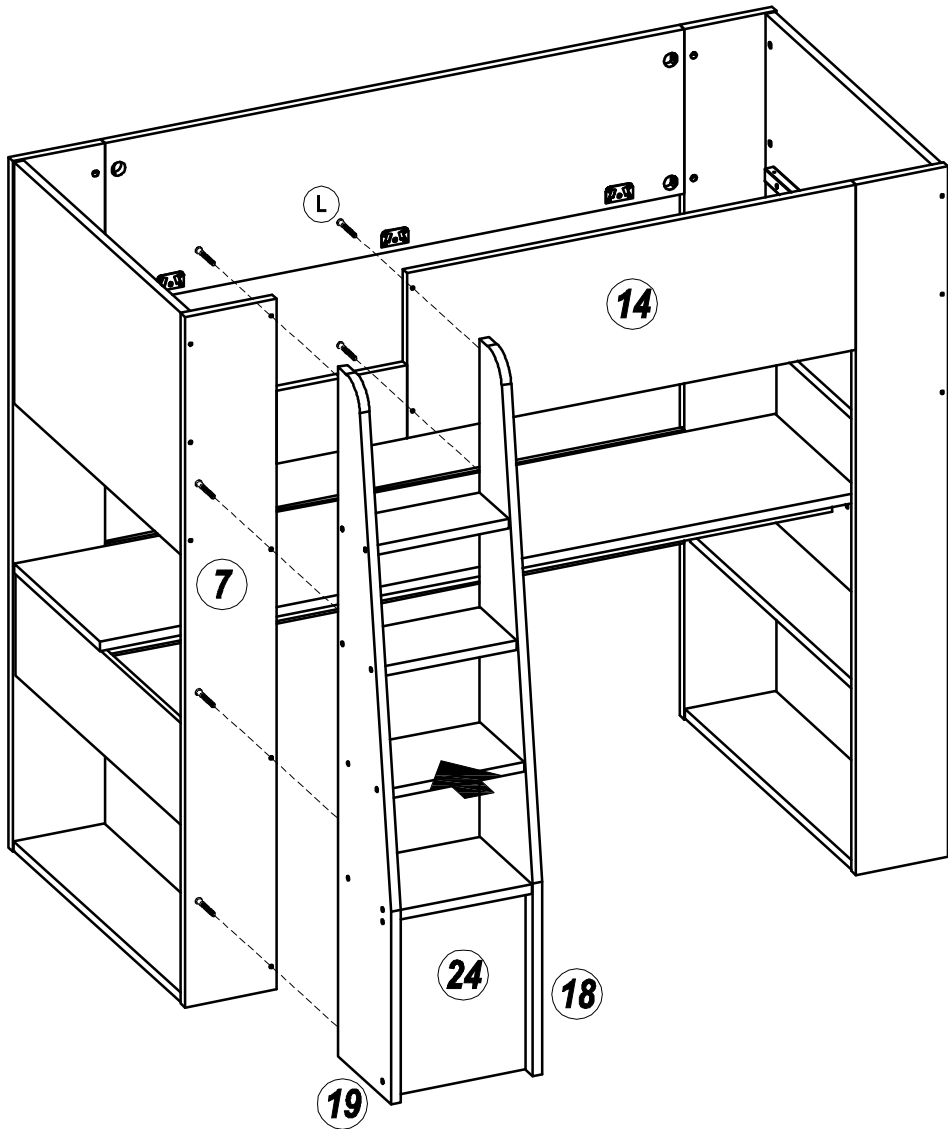
- | | |
|-------------|-------------|
| C x1 | J x2 |
| | |

20



- | |
|--------------|
| L x20 |
| |

21



22

