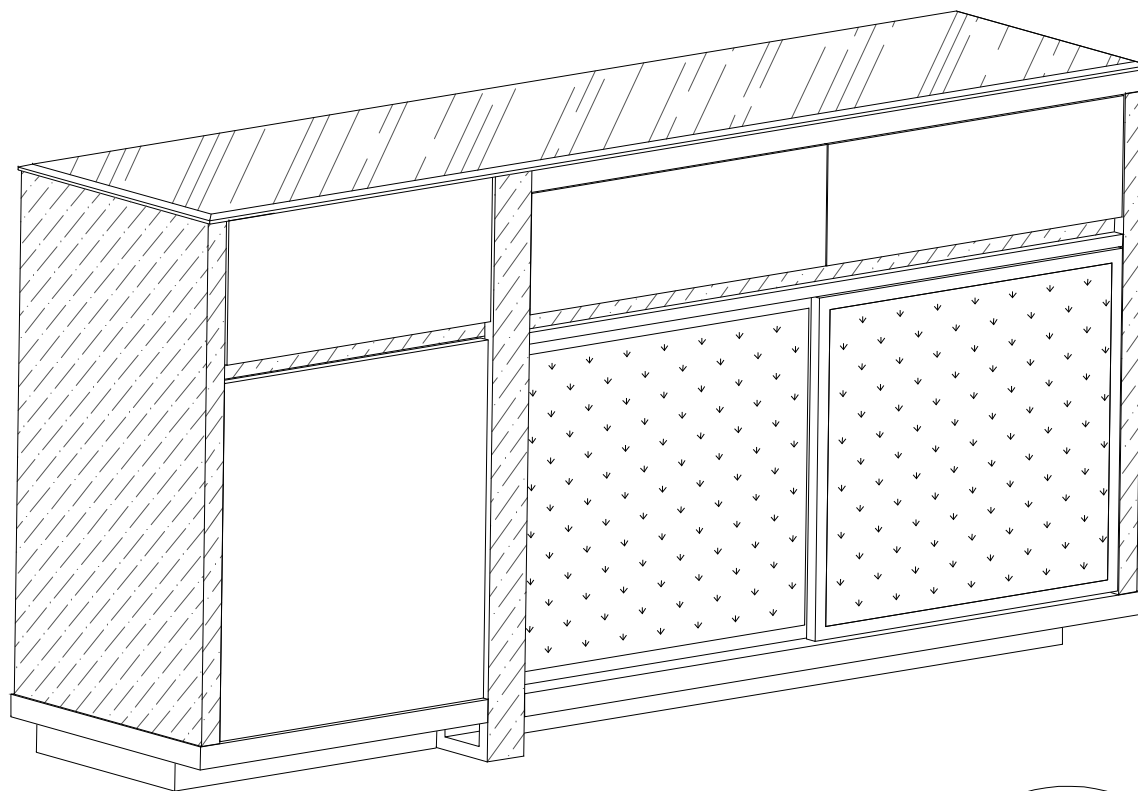


PALERMO BUFFET ASSEMBLY INSTRUCTIONS



A. Door bumpers
 $\phi 6*1=8$ PCS



B. 2xThreaded
wire M6*30

Page 1



STOP!

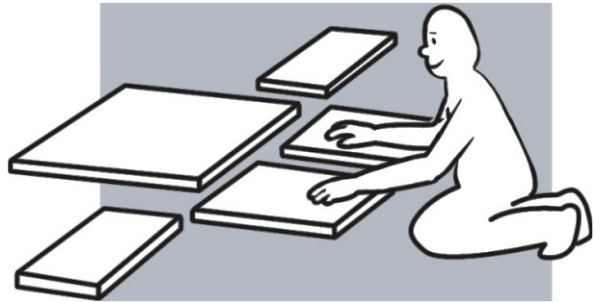
Before you start...

1



Read Instructions carefully.

2



Lay out all of the components on a soft surface as if you were preparing to do a jigsaw puzzle.

3



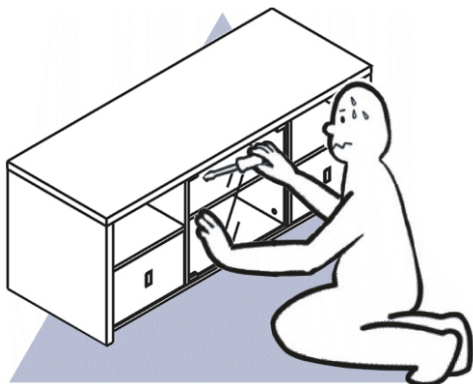
Carefully identify each component, especially those that are similar. The most common mistake is getting things back to front.

4



Separate and identify each component from the hardware pack— and rest each one in its proper location before fastening.

5



DO NOT Over-tighten screws

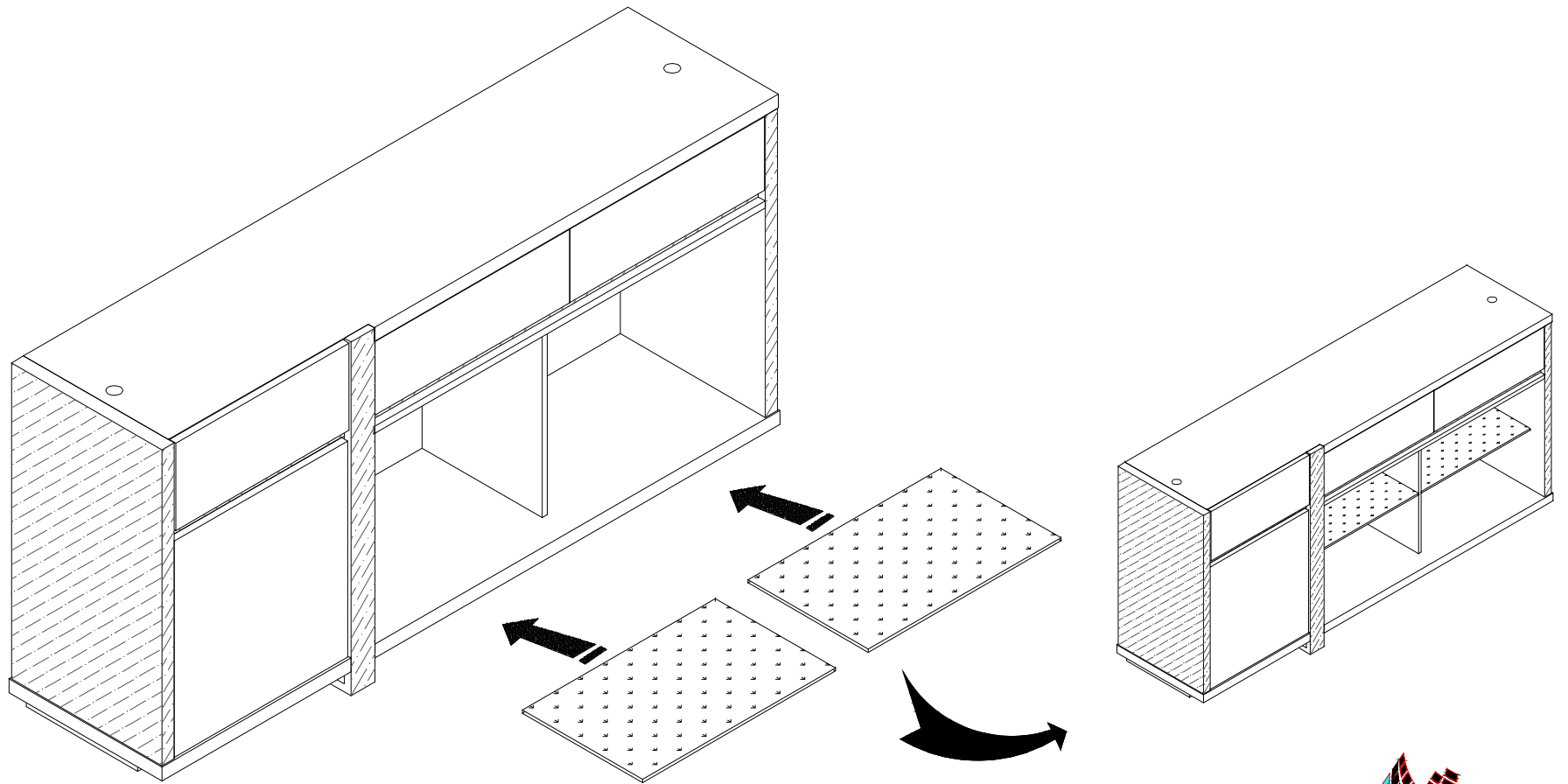
6




DO NOT set glue until you are certain that the parts belong together.

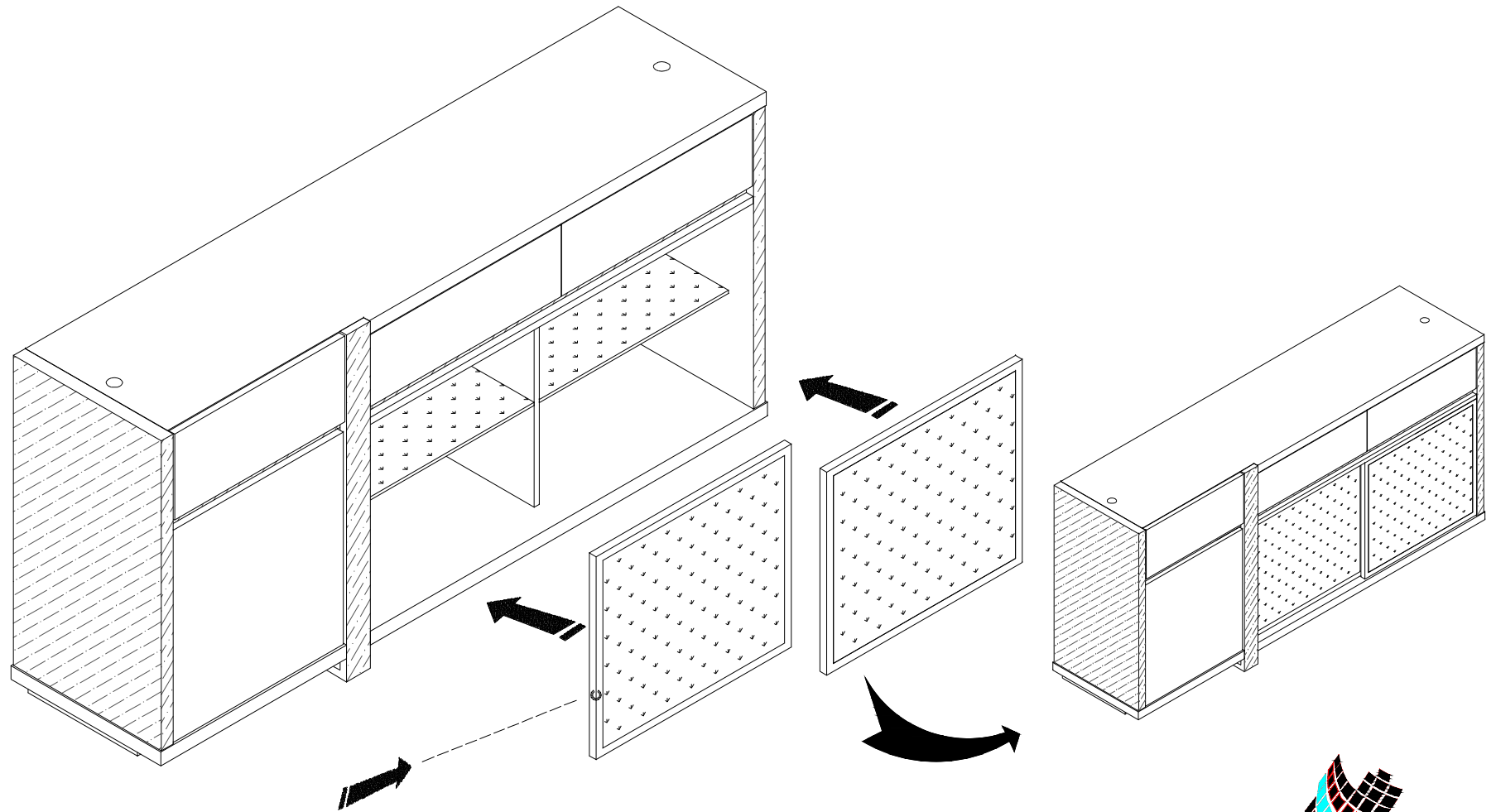
PALBU

Step 1: a .Put the glass shelves in buffet as shown.



PALBU

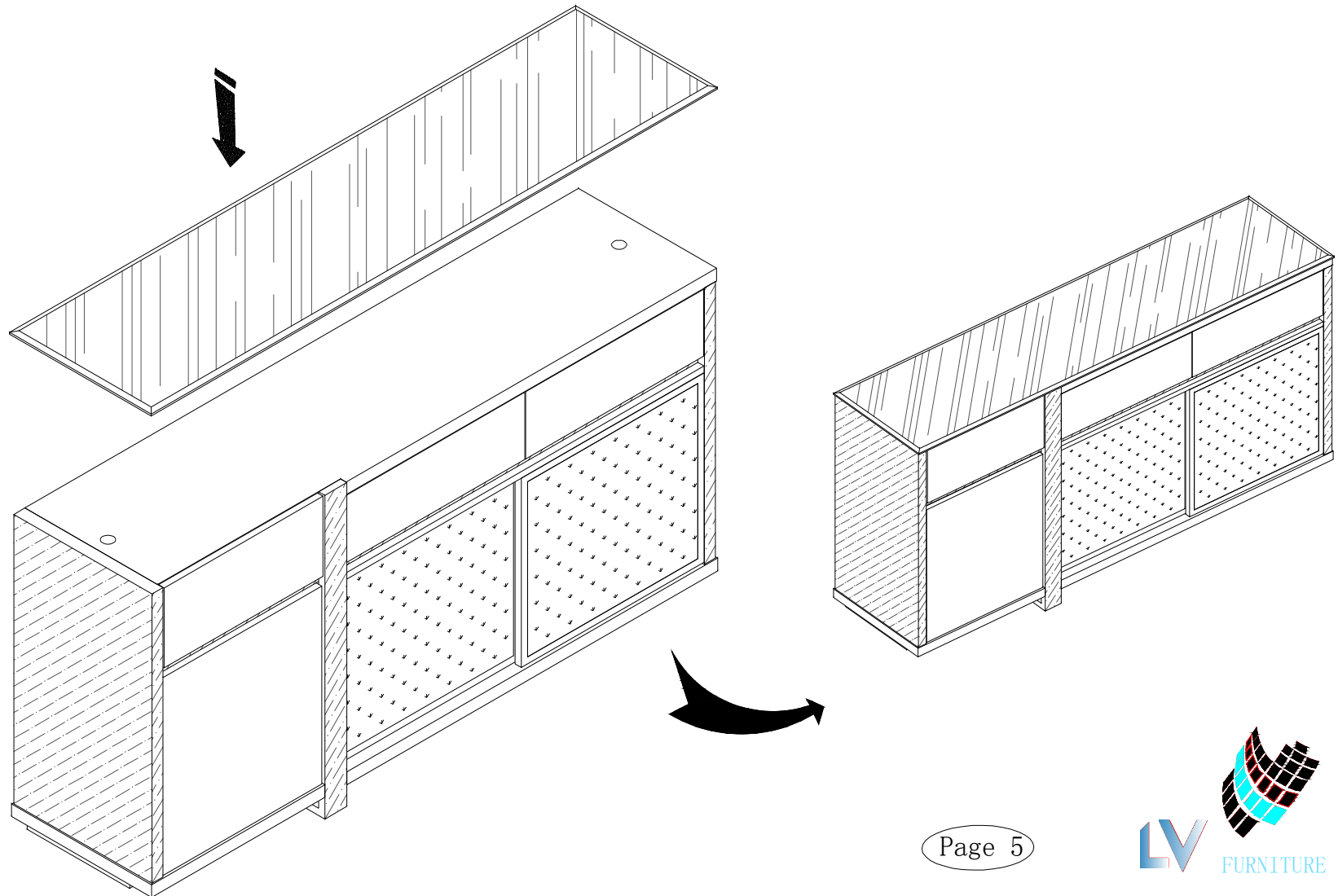
- Step 2:
- Stick A. () door bumper on the side of door frame.
 - Place glass door on the runner as shown.




A. Door bumpers
 $\phi 6 * 1 = 8 \text{ PCS}$

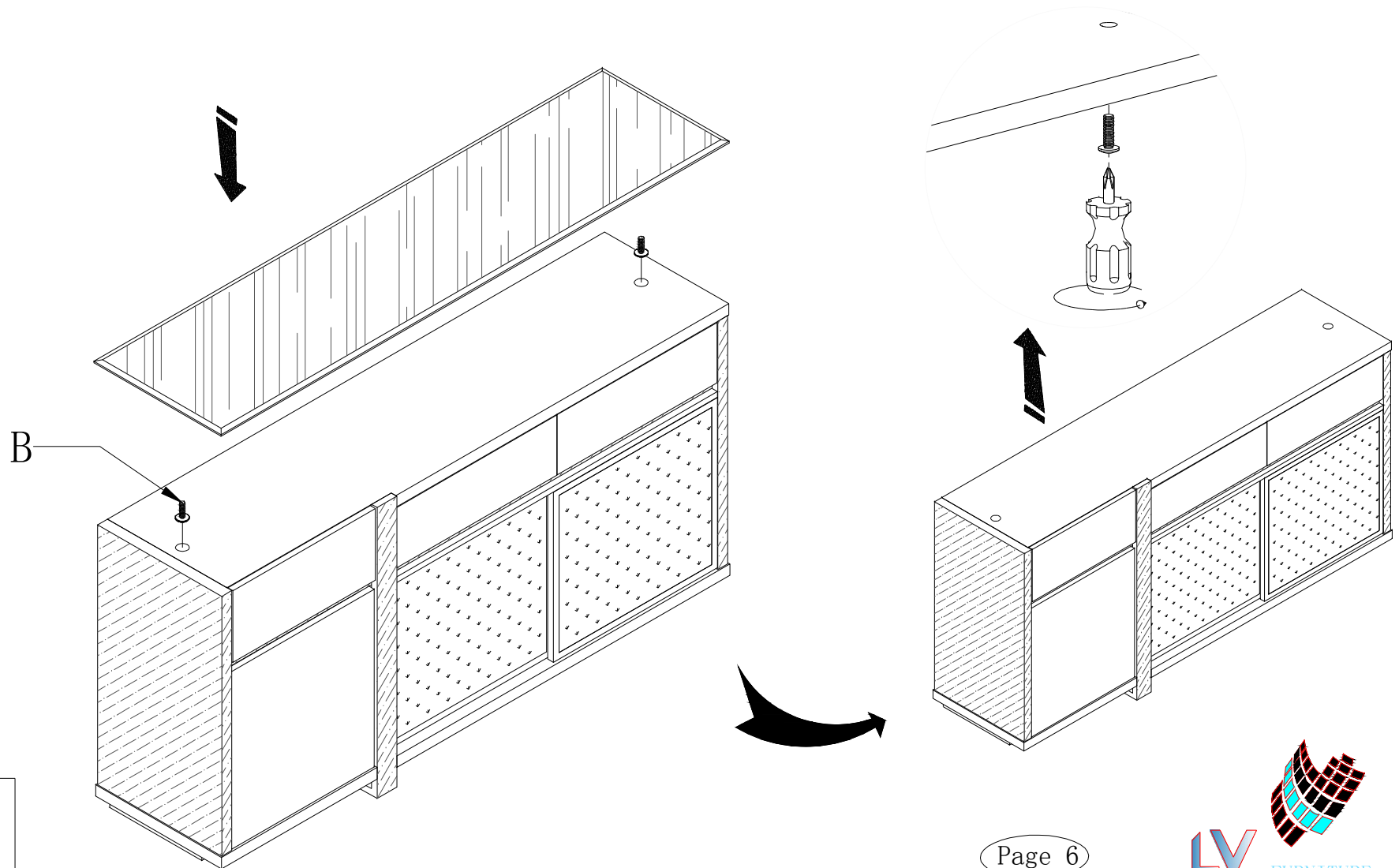
PALBU

Step 3: a . Put the top glass on the buffet as shown.



PALBU

Step 3: a .Put the glass top on the buffet and fix the top glass to the top panel with A() threaded wire as shown.



B. 2xThreaded wire M6*30

PALERMO BUFFET COMPLETE

