



ASSEMBLY INSTRUCTION FOR

PRB007 : PRENZO 3 DRAWER BEDSIDE

Thank you for purchasing this quality product. Be sure to check all packing material carefully for small parts, which may have come loose inside the carton during shipment. Identify and count all parts and compare with the parts list below.



ASSEMBLY TIPS:

- 1.Remove hardware from box and sort by size.
- 2.Please check to see that all hardware and parts are present prior start of assembly.
- 3.Please follow attached instruction in the same sequence as numbered to assure fast and easy assembly



WARNING!

- 1.Don't attempt to repair or modify parts that are broken or defective. Please contact the store immediately.
- 2.This product is for home use only and not intended for commercial establishment.
- 3.Two persons are required for assembly.
- 4.Approximate assembly time : ½ hours

HARDWARE LIST:

Component parts and fittings contained in the box.
Please sort out all parts before you before you begin to assemble the item.
This is to make sure you always use the correct part.

HARDWARE LIST

1		Tipping Hardware	1 set
---	--	------------------	-------

DRAWING:

Warning: Keep small components out of the reach of children!

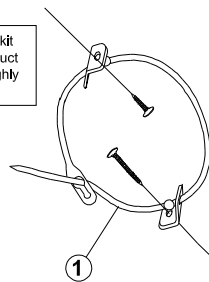


(1) DRAWER BEDSIDE (A)

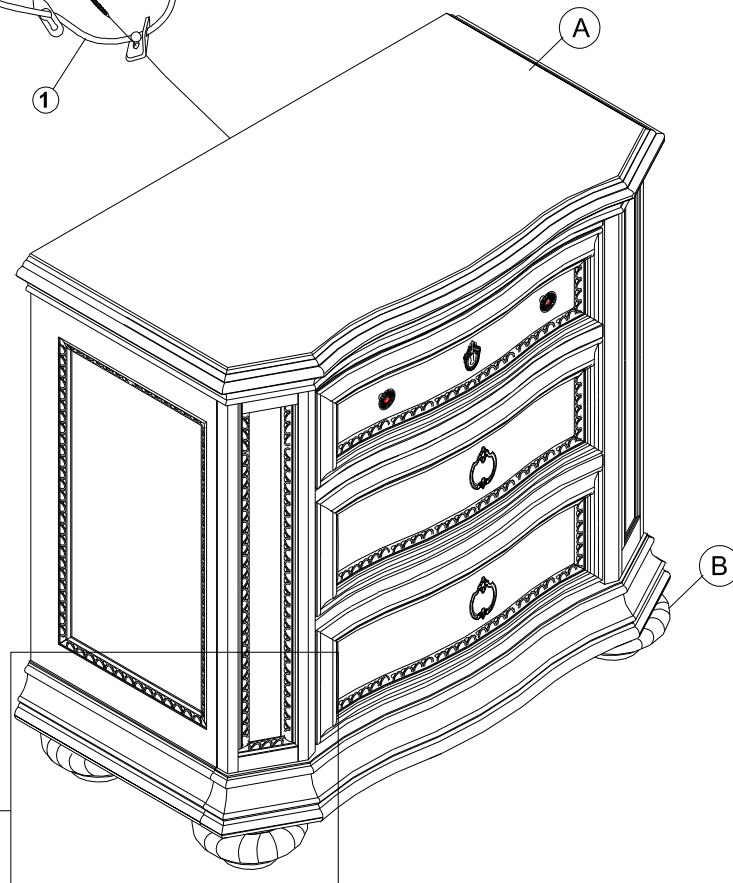
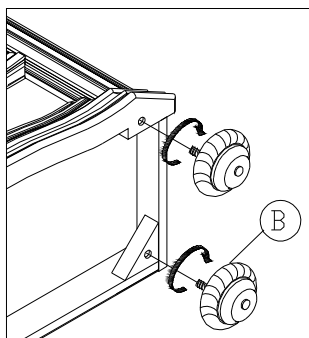


(4) LEG (B)

REMARK: There is a tip restraint kit provided on the back of this product please read the direction thoroughly and install immediately



Step 1



Simply wipe off the furniture with a damp cloth and buff dry with another soft cloth periodic polishing with a non silicone furniture polish will retain the luster

MADE IN VIET NAM