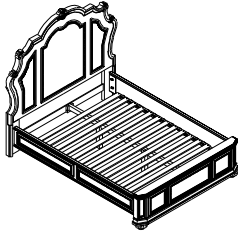




ASSEMBLY INSTRUCTION FOR

PRB002 : Prenzo AUS King Bed 14 slats
 PRB001 : Prenzo AUS Queen Bed 14 slats

Thank you for purchasing this quality product. Be sure to check all packing material carefully for small parts, which may have come loose inside the carton during shipment. Identify and count all parts and compare with the parts list below.



ASSEMBLY TIPS:

- 1.Remove hardware from box and sort by size.
- 2.Please check to see that all hardware and parts are present prior start of assembly.
- 3.Please follow attached instruction in the same sequence as numbered to assure fast and easy assembly



WARNING!

- 1.Don't attempt to repair or modify parts that are broken or defective. Please contact the store immediately.
- 2.This product is for home use only and not intended for commercial establishment.
- 3.Two persons are required for assembly.
- 4.Approximate assembly time : ½ hours

HARDWARE LIST OF SIDERAIL

R1		ALLEN KEY	5/16"	1 pc
R2		SPRING WASHER	5/16"	8 pcs
R3		FLAT WASHER	5/16"(16mm)	8 pcs
R4		CURVED WASHER	5/16"	8 pcs
R5		NUT	5/16"	8 pcs
R6		BOLT	5/16"x3-1/2"	8 pcs
R7		SCREW	8#X1-1/4"	28 pcs
R8		ALLEN KEY	5MM	1 pc
R9		SPRING WASHER	Ø5/16"	4pcs
R10		FLAT WASHER	Ø5/16"(22mm)	4 pcs
R11		BOLT	Ø5/16"x2"	4 pcs

HARDWARE LIST:

Component parts and fittings contained in the box.

Please sort out all parts before you begin to assemble the item. This is to make sure you always use the correct part.

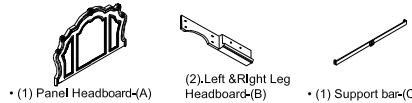
HARDWARE LIST OF HEADBOARD

H1		ALLEN KEY	5MM	1 pc
H2		SPRING WASHER	Ø5/16"	12 pcs
H3		FLAT WASHER	Ø5/16"(22mm)	12 pcs
H4		BOLT	Ø5/16"x1"-3/4"	12 pcs

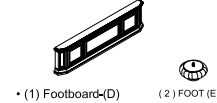
DRAWING:

Warning: Keep small components out of the reach of children!

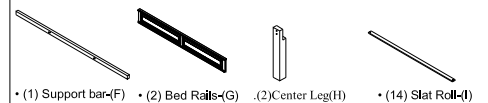
Parts Enclosed Box 3:



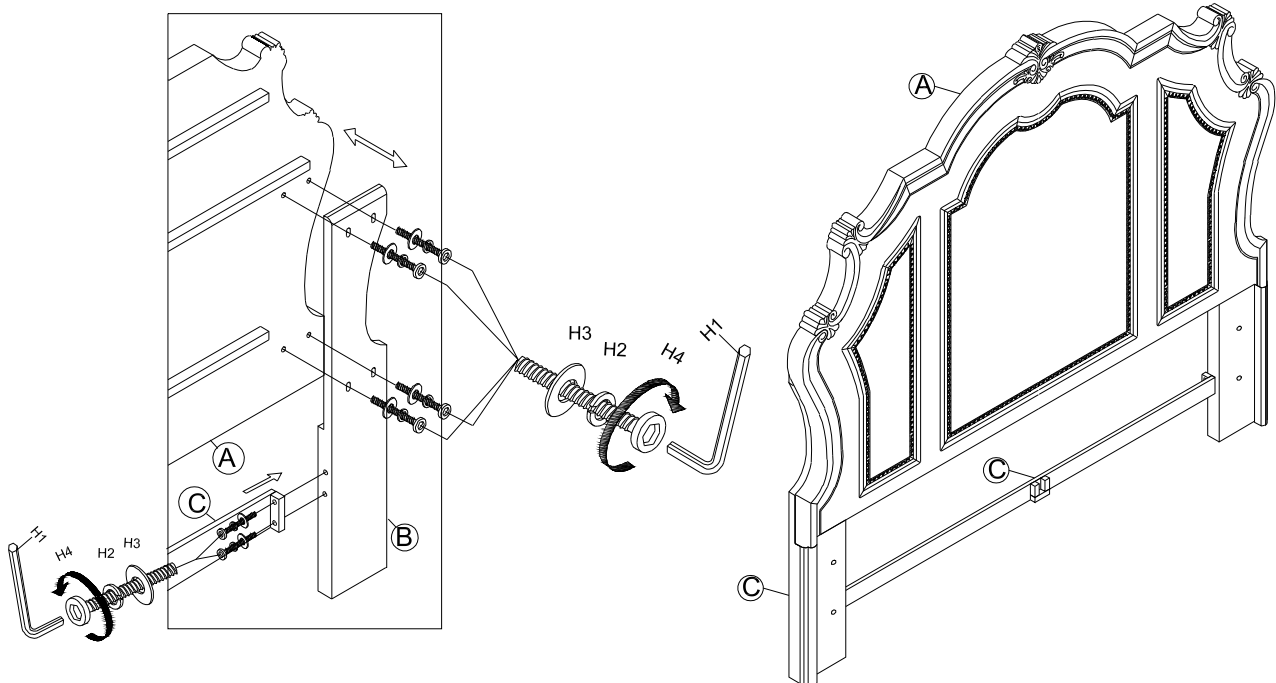
Parts Enclosed Box 1:



Parts Enclosed Box 4:



Step 1



Simply wipe off the furniture with a damp cloth and buff dry with another soft cloth. Periodic polishing with a non-silicone furniture polish will retain the luster.

MADE IN VIET NAM