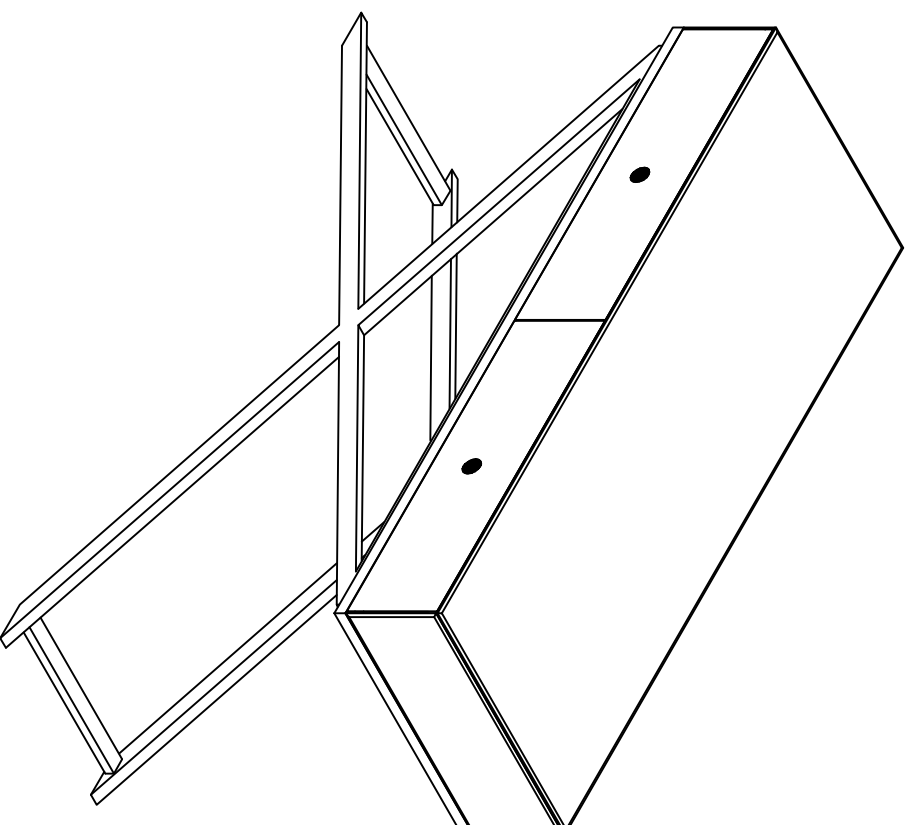


LV
FURNITURE

PYRAMID CONSOLE TABLE ASSEMBLY INSTRUCTION



A. 

8x Threaded wire
M6x15mm

STOP!

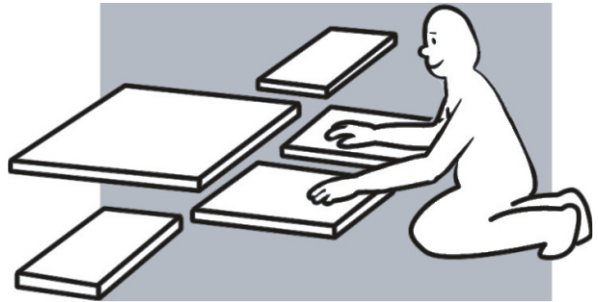
Before you start...

1



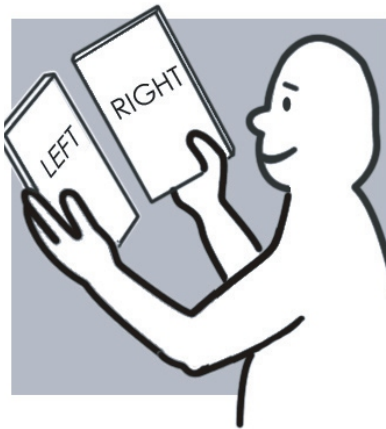
Read Instructions carefully.

2



Lay out all of the components on a soft surface as if you were preparing to do a jigsaw puzzle.

3



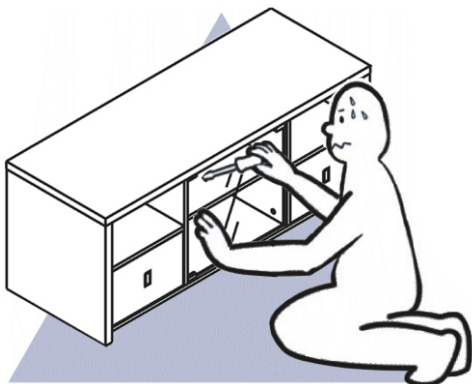
Carefully identify each component, especially those that are similar. The most common mistake is getting things back to front.

4



Separate and identify each component from the hardware pack— and rest each one in its proper location before fastening.

5




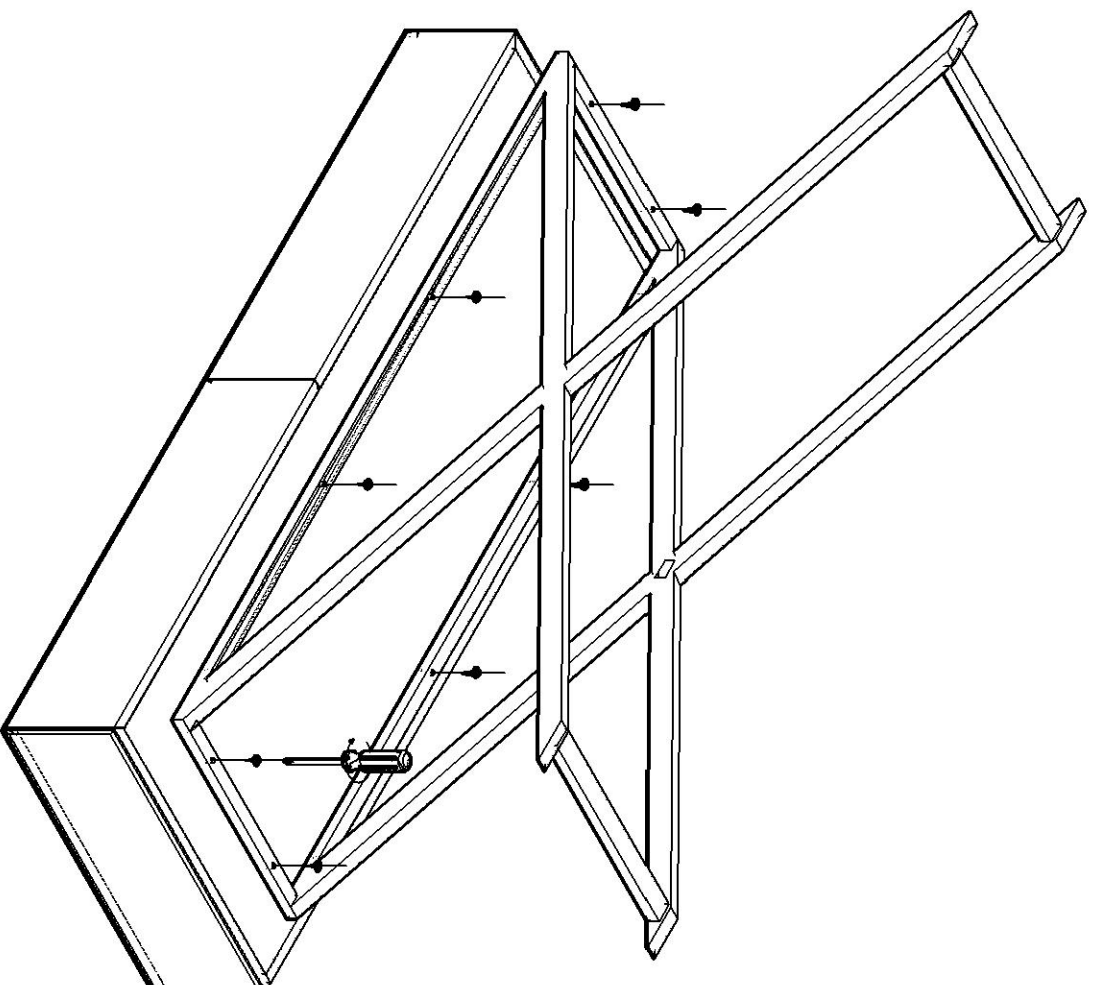
DO NOT Over-tighten screws

6



DO NOT set glue until you are certain that the parts belong together.

Step 1. Attach the steel leg to the main body with A. () as shown.



A. 8xThreaded
wire 6*15mm

UNIT COMPLETE

