

ASSEMBLY INSTRUCTION FOR 5-2766-FBD-60"X82"

Note

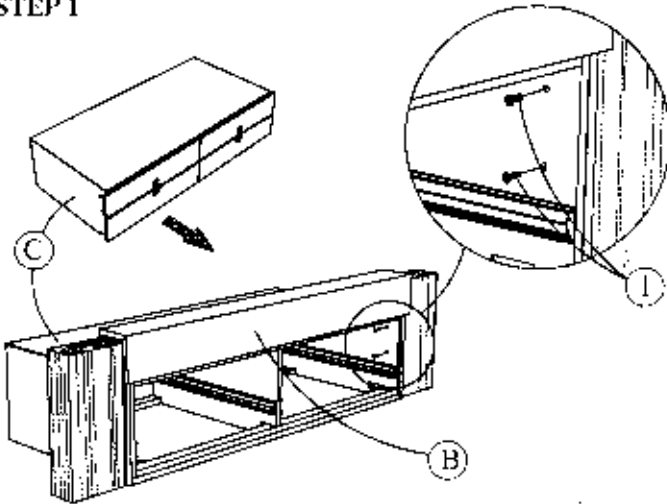
- Read instructions carefully.
- Check to identify each component separately. There may be similar.
- Always use safety and common sense when the machine runs. Always wear eye protection when assembling.
- Do not use liquid nails or glue unless shown otherwise.

2 Persons

TOOL REQUIRED

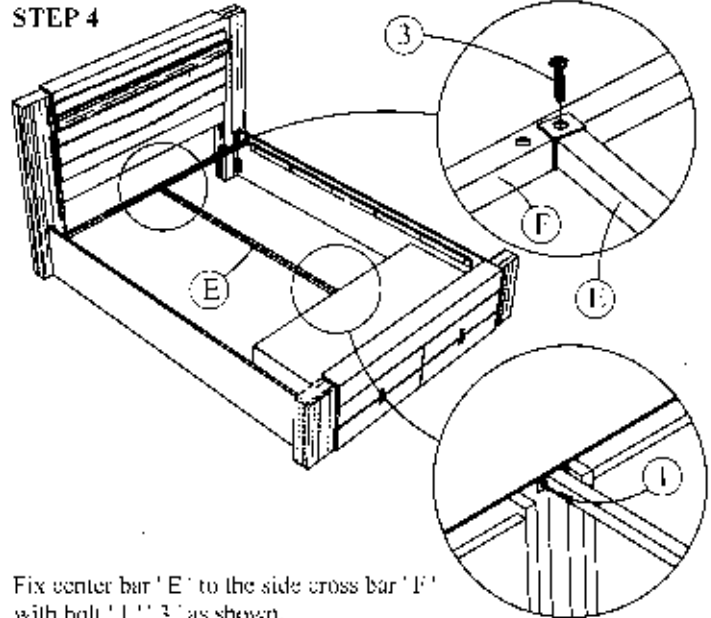


STEP 1



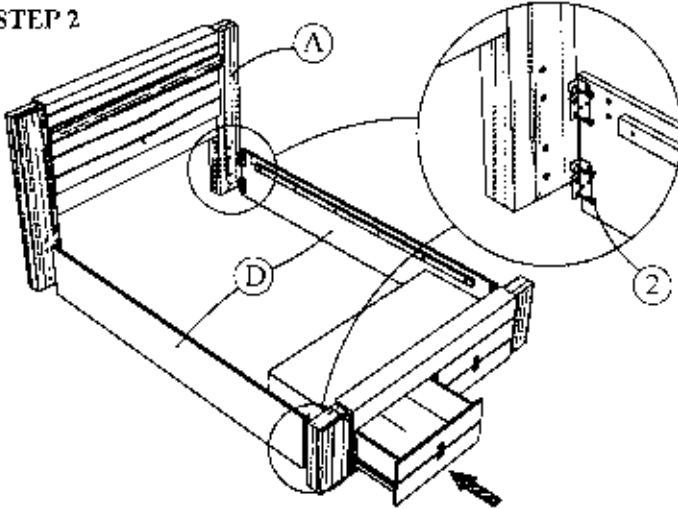
Firstly take out the drawer and fix drawer box 'C' to the footboard 'B' with bolt's '1' as shown.

STEP 4



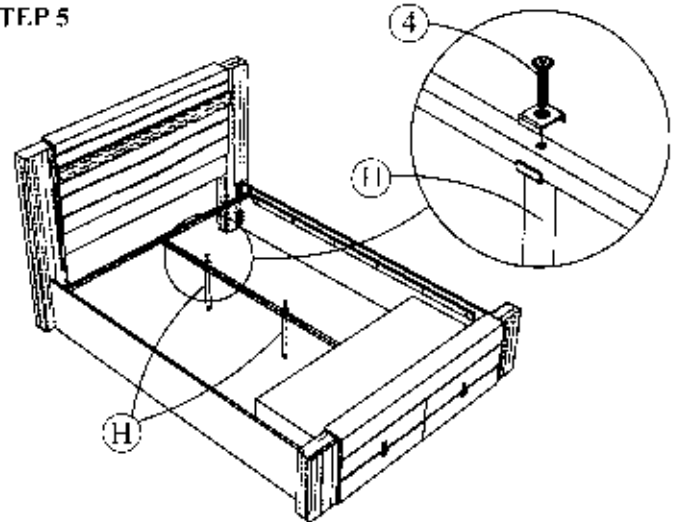
Fix center bar 'E' to the side cross bar 'F' with bolt '1' '3' as shown.

STEP 2



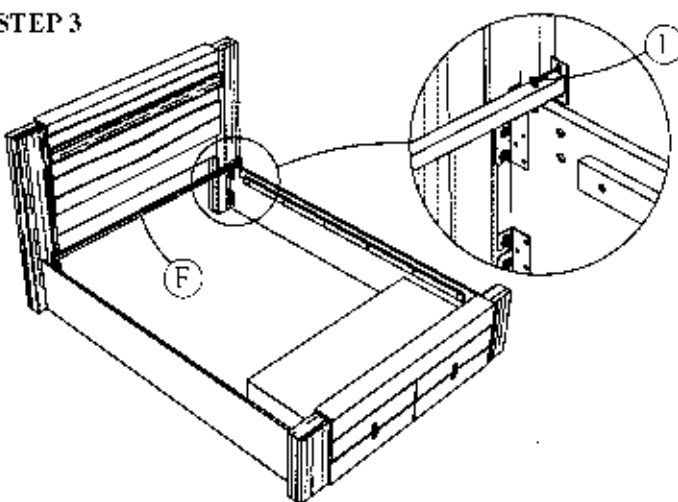
Insert the drawer to the drawer box and fix the headboard 'A' and footboard to the side rail 'D' using hardware part '2'.

STEP 5



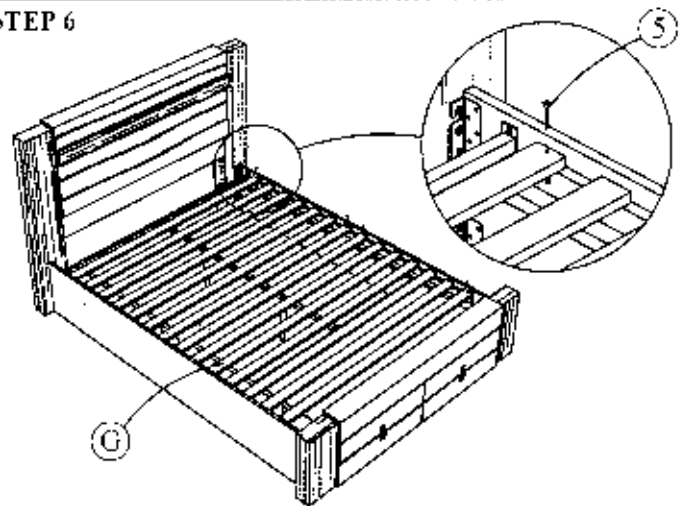
Fix in support leg 'H' with bolt '4' as shown.

STEP 3



Put in cross bars 'F' from the bottom and fix in bolt '1' as shown in diagram and tighten all bolts.

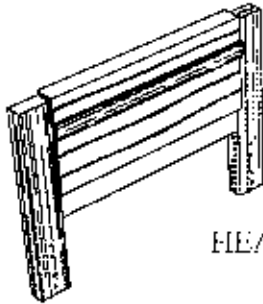



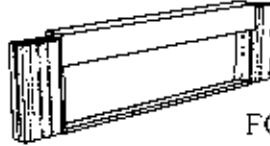


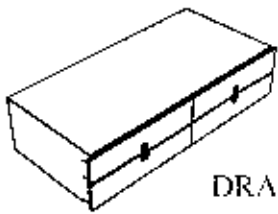

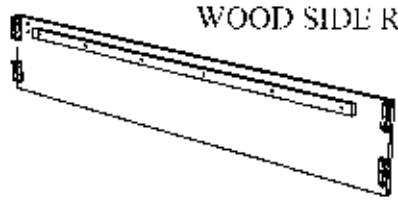

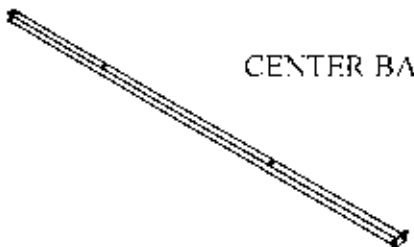
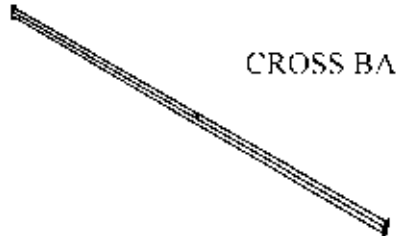
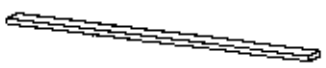

STEP 6



Put wood slats 'G' to the side rail support and fix screw '5' at hole as shown.

Please follow our Assembly Instruction procedure for easier assemble.

HARDWARE & PART LIST FOR 5-2766-FBD-60"X82"

NO	PART	QTY	NO	HARDWARE	QTY
A	 HEADBOARD	1 pc	1	 M6x15mm	10 pcs
			2	 M8x25mm	16 pcs
			3	 M6x30mm	1 pcs
B	 FOOTBOARD	1 pc	4	 M8x40mm (ASSEMBLED)	2 pcs
			5	 CHIPBOARD SCREW #4 x 30mm	8 pcs
C	 DRAWER BOX	1 set	6	 M8- ALLEN KEY	1 pc
D	 WOOD SIDE RAIL	2 pcs	7	 M6- ALLEN KEY	1 pc
			E	 CENTER BAR	1 pc
F	 CROSS BAR	1 pc			
G	 WOOD SLAT	14 pcs			
H	 SUPPORT LEG	2 pcs			