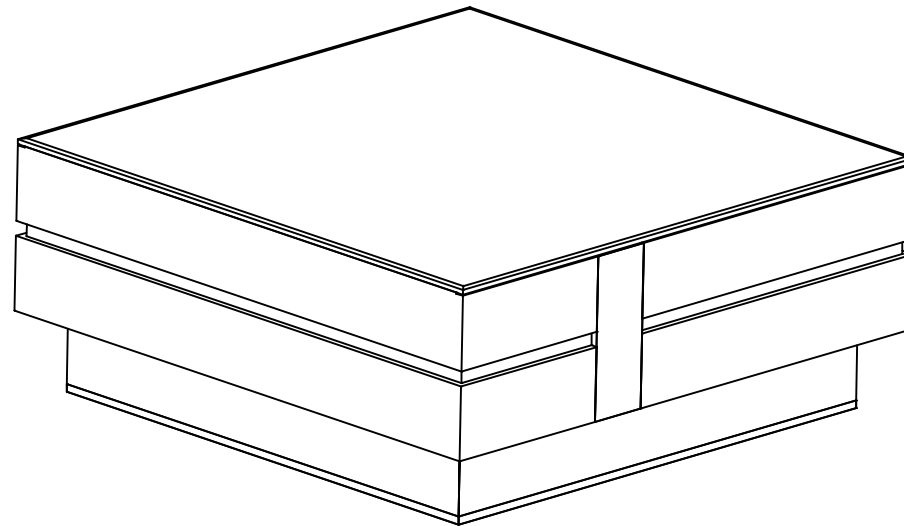




**FURNITURE**  
**SANTORINI COFFEE TABLE ASSEMBLY INSTRUCTIONS**



# STOP!

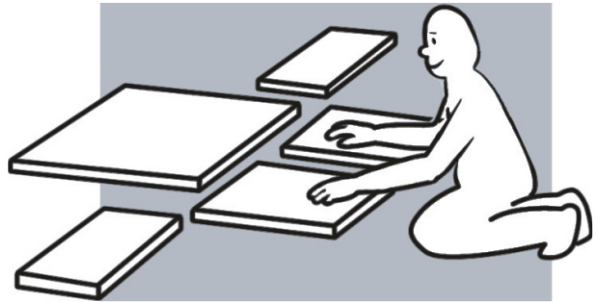
Before you start...

1



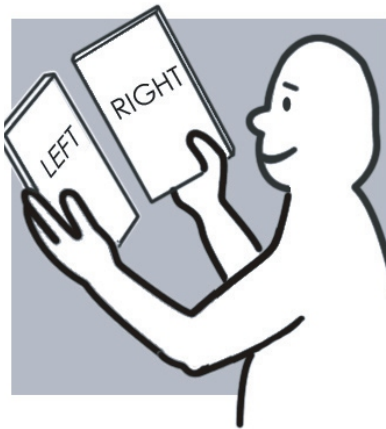
Read Instructions carefully.

2



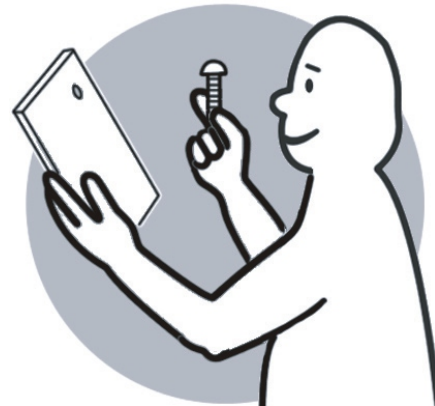
Lay out all of the components on a soft surface as if you were preparing to do a jigsaw puzzle.

3



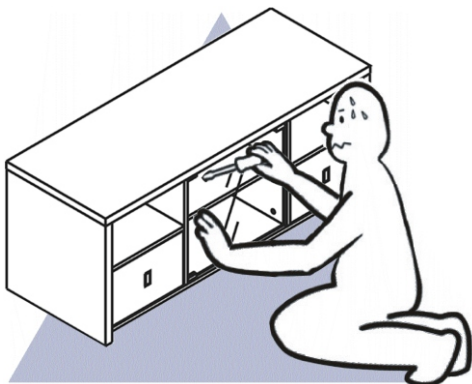
Carefully identify each component, especially those that are similar. The most common mistake is getting things back to front.

4



Separate and identify each component from the hardware pack— and rest each one in its proper location before fastening.

5



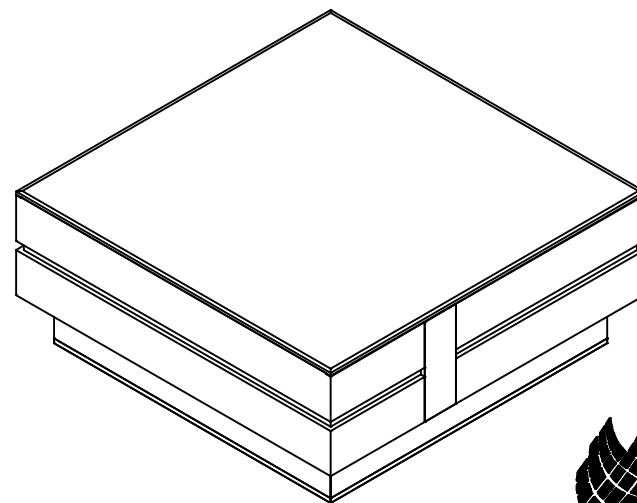
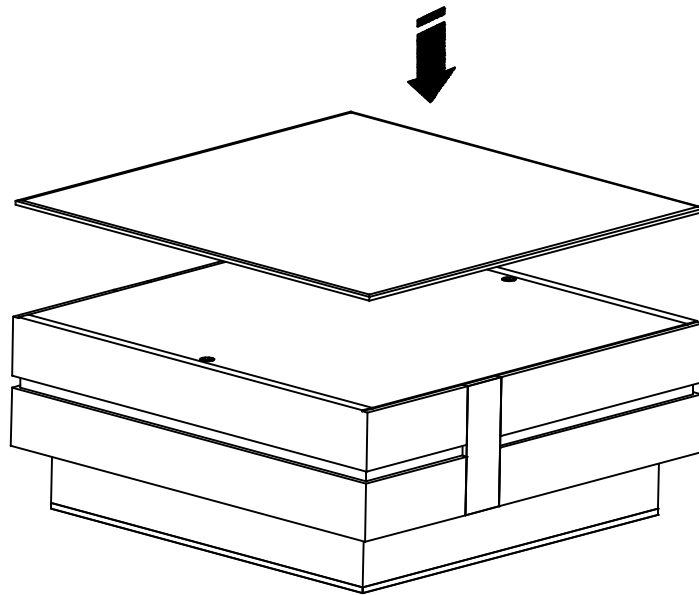
**DO NOT** Over-tighten screws

6



**DO NOT** set glue until you are certain that the parts belong together.

Step 1. Place glass on top panel as shown.



**SANTORINI COFFEE TABLE**  
**UNIT COMPLETE**

