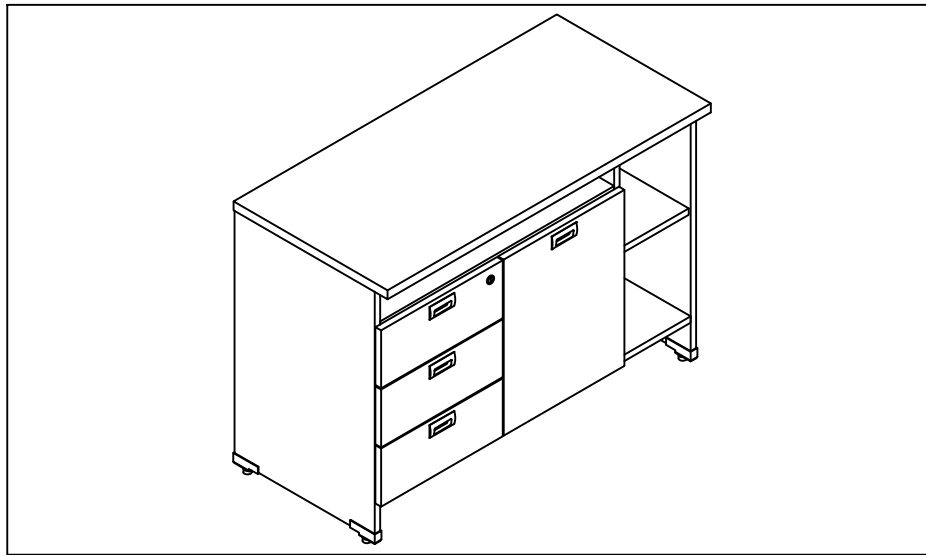


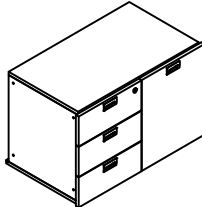
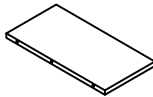
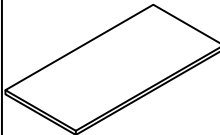
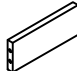
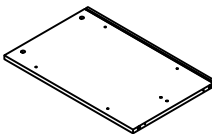
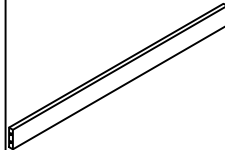
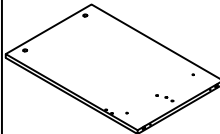
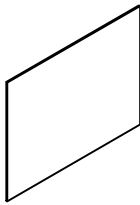
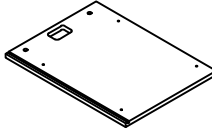
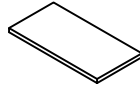
ASSEMBLY INSTRUCTION

TITAN CREDENZA WITH RECTANGULAR TOP 3 DRAWERS




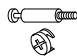




Thank you for purchasing this quality product. Be sure to check all packing material carefully for small parts that may have come loose inside the carton during shipment.



COMPONENT LISTS

NO	DESCRIPTION	QTY	NO	DESCRIPTION	QTY
1	 BODY	1	6	 BOTTOM PANEL	1
2	 TOP PANEL	1	7	 BACK STRIP	1
3	 SIDE PANEL LEFT	1	8	 BOTTOM STRIP	1
4	 SIDE PANEL RIGHT	1	9	 BACK PANEL	1
5	 CENTER PANEL	1	10	 SHELF PANEL	1

HARDWARE LISTS

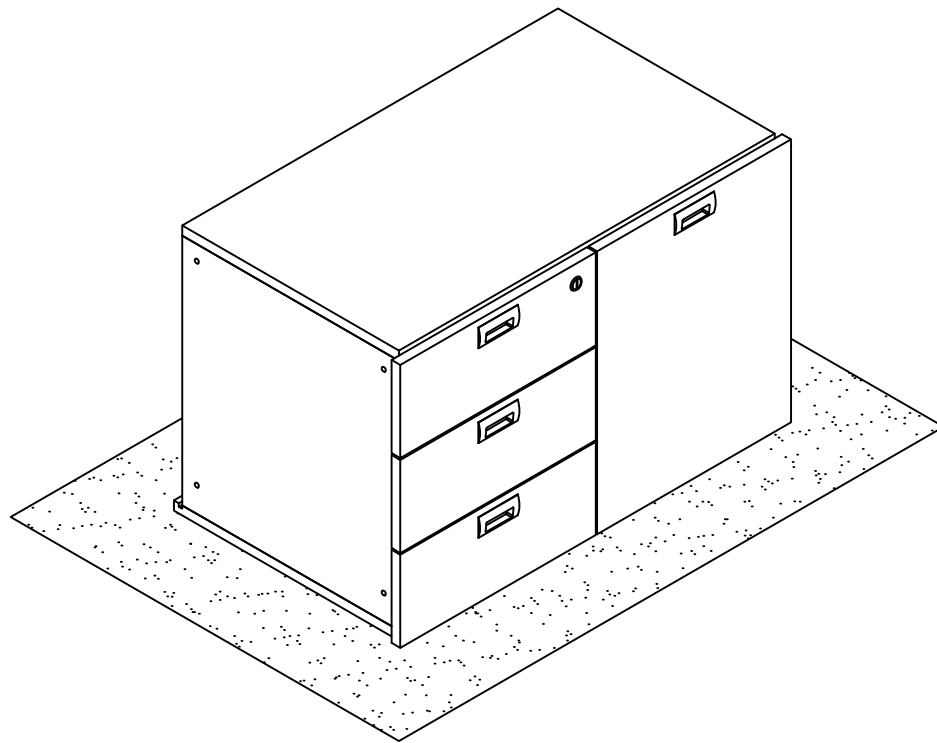
NO	DESCRIPTION	QTY	NO	DESCRIPTION	QTY
A	 Bottom Support	4	F	 Chipboard screw 4 x 25mm	4
B	 Adjuster	4	G	 Minifix (35mm)	10
C	 Allen Key M4	1	H	 Shelf Support Pin	4
D	 JCBC Ø6 x 30mm	8	I	 Stationary Tray	1
E	 Dowel Ø8 x 30mm	16	J	 Wire Hole Case	1

ASSEMBLY INSTRUCTION

TITAN CREDENZA WITH RECTANGULAR TOP 3 DRAWERS

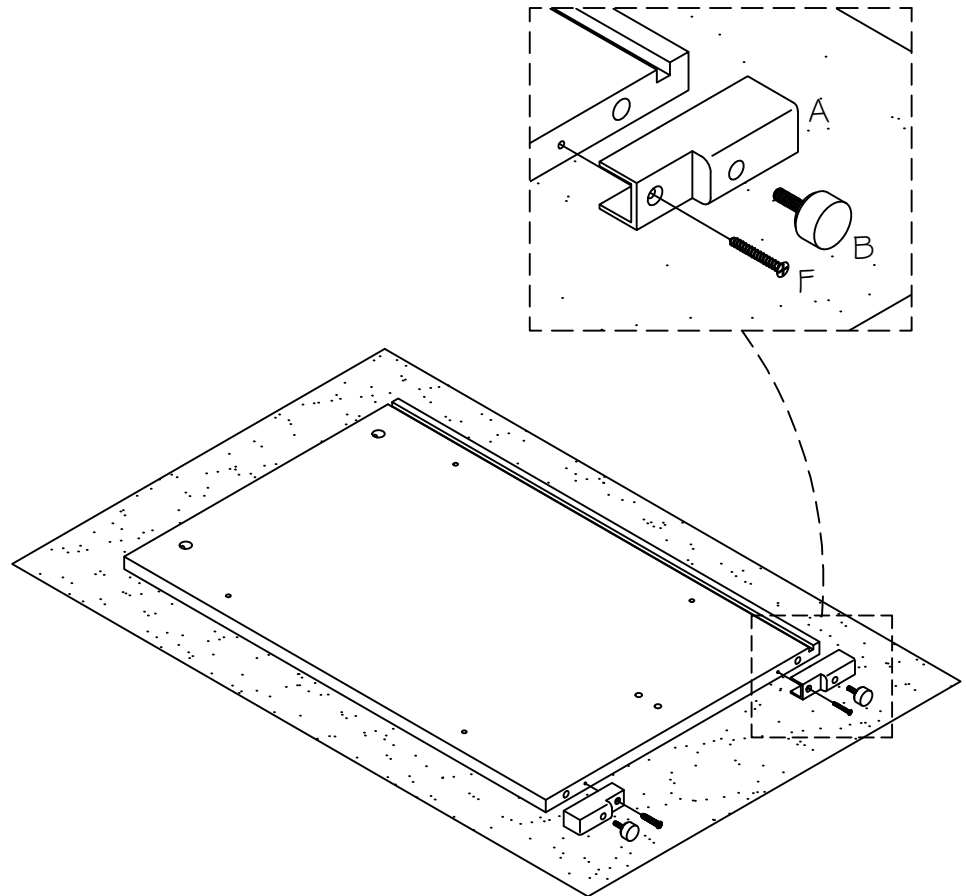
STEP 1

Place the body of the body on smooth surface (For eg. cloth, carpet, rug etc.) prior start of assembly.



STEP 2

Fix the bottom supports to the bottom of side panel left by using adjuster and chipboard screws.

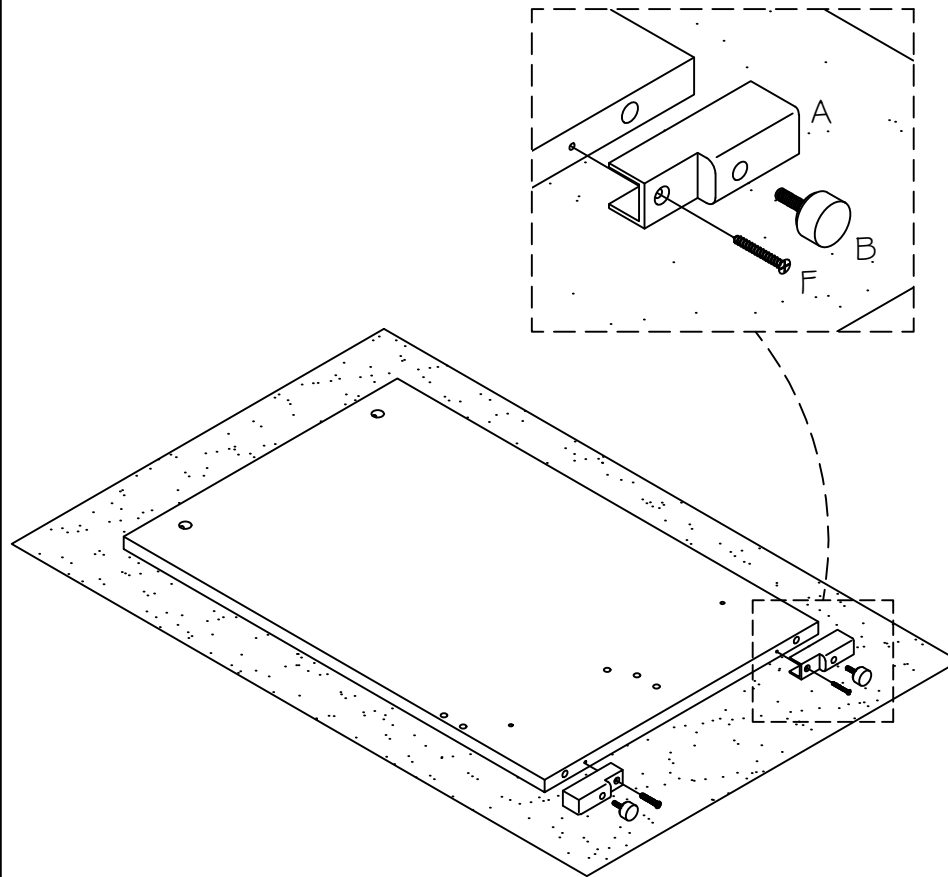


ASSEMBLY INSTRUCTION

TITAN CREDENZA WITH RECTANGULAR TOP 3 DRAWERS

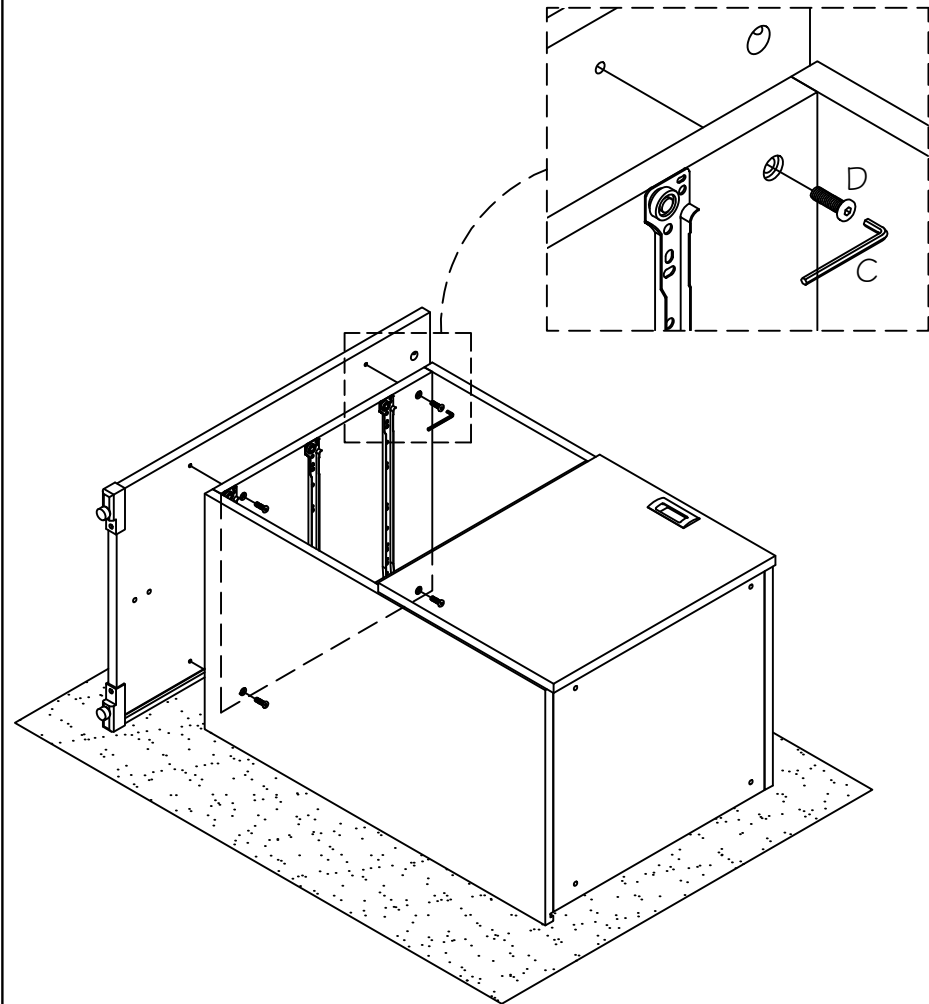
STEP 3

Fix the bottom supports to the bottom of side panel right by using adjuster and chipboard screws.



STEP 4

Remove all drawers. Attach the side panels left to the left side of the body by using JCBC screw and allen key.

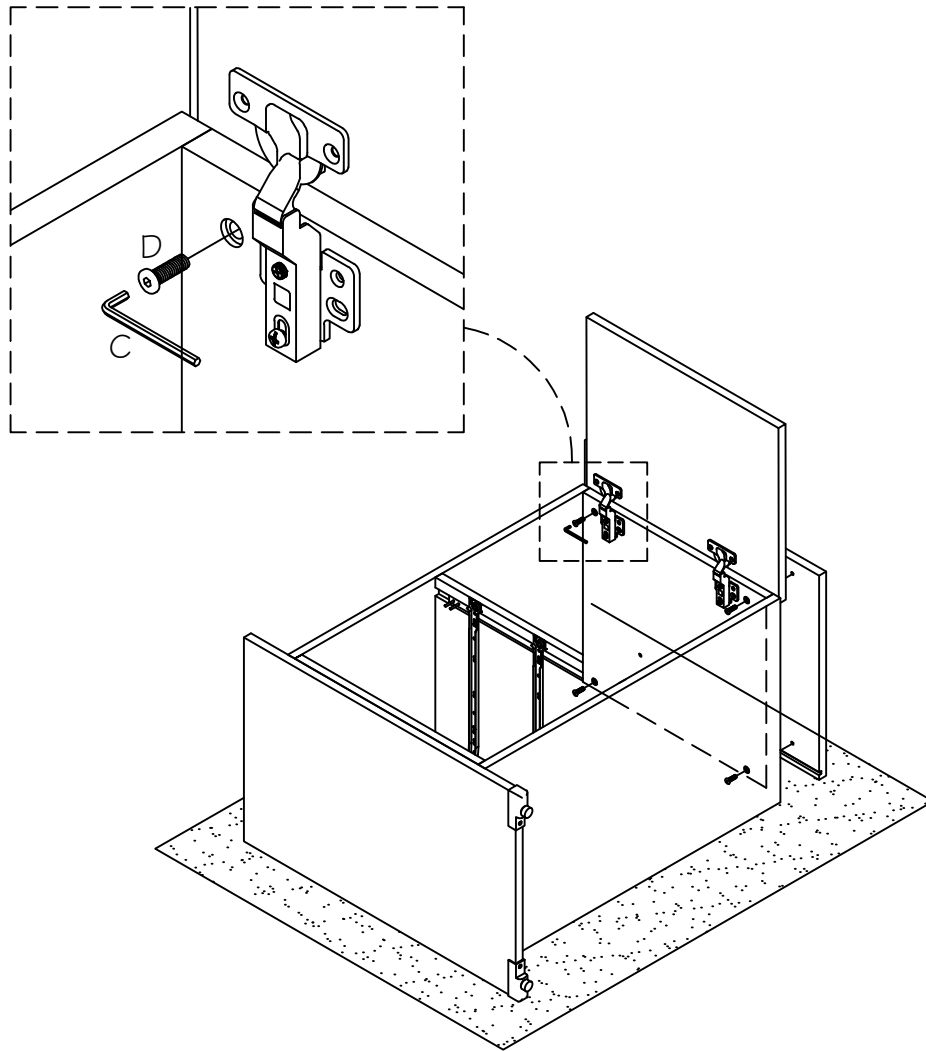


ASSEMBLY INSTRUCTION

TITAN CREDENZA WITH RECTANGULAR TOP 3 DRAWERS

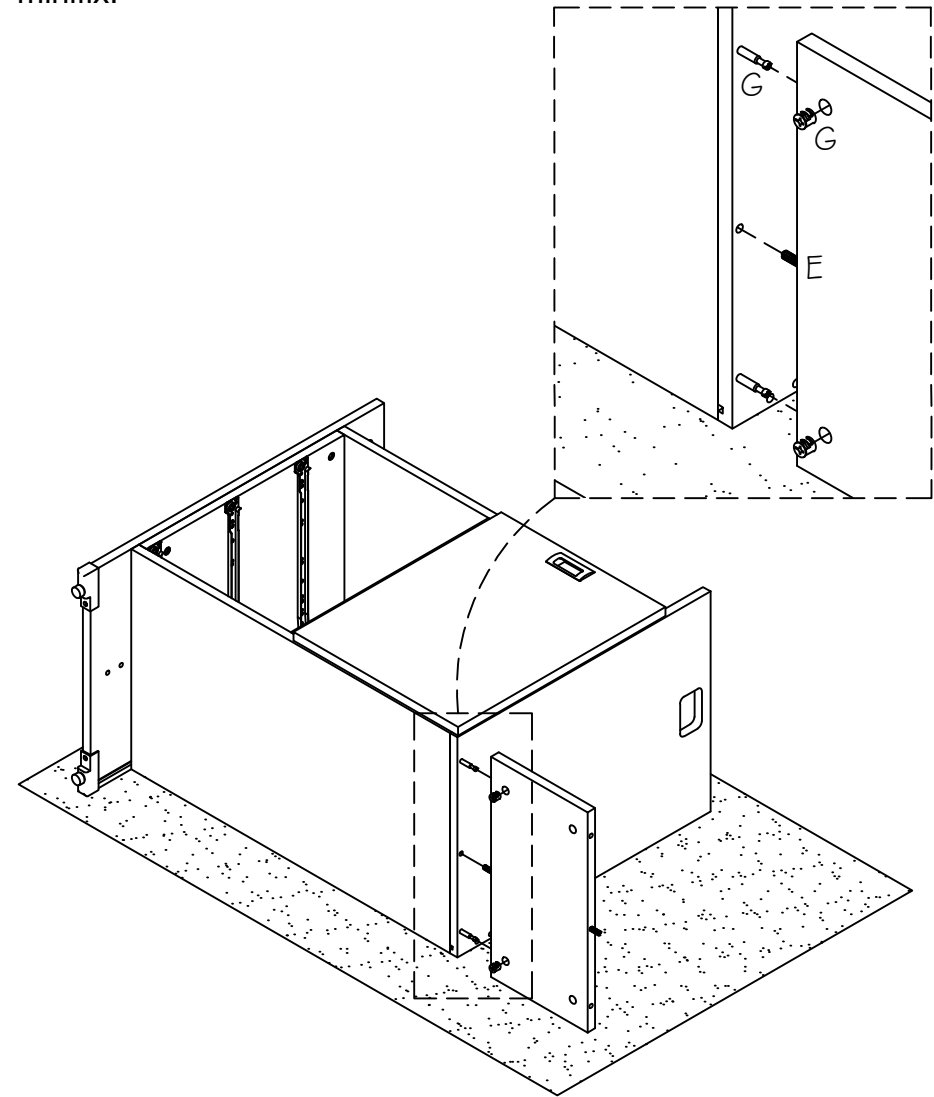
STEP 5

Open the door panel. Attach the center panel to the right side of the body by using JCBC screw and allen key.



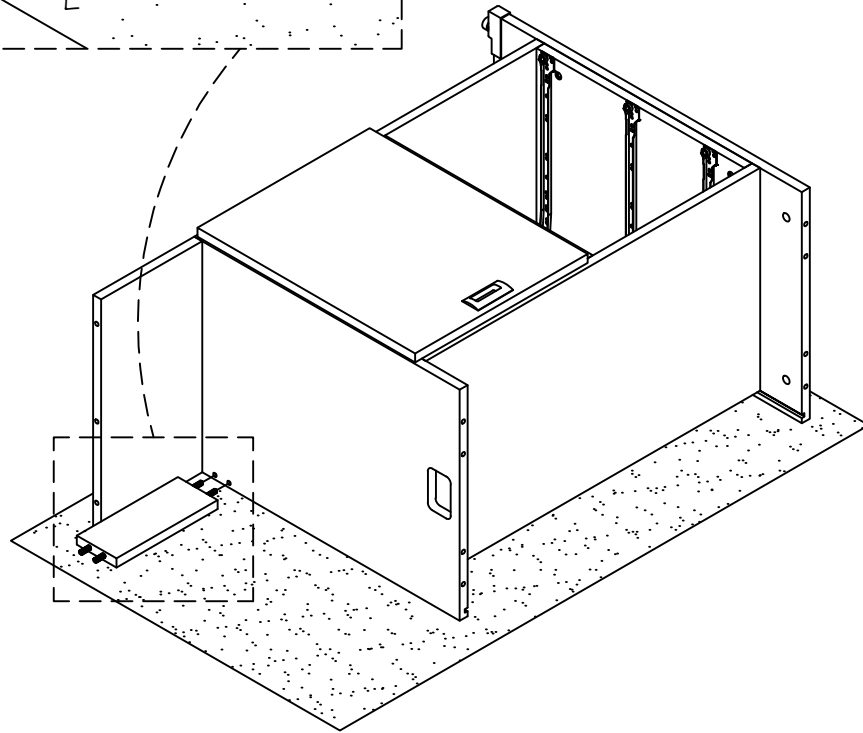
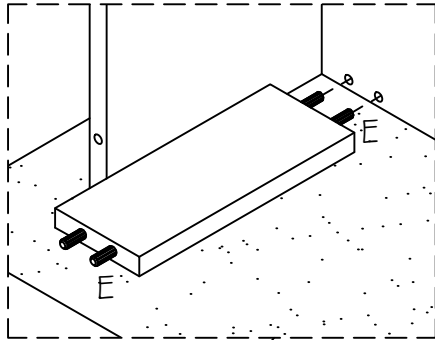
STEP 6

Attach the bottom panel to the center panel by using dowel and minifix.



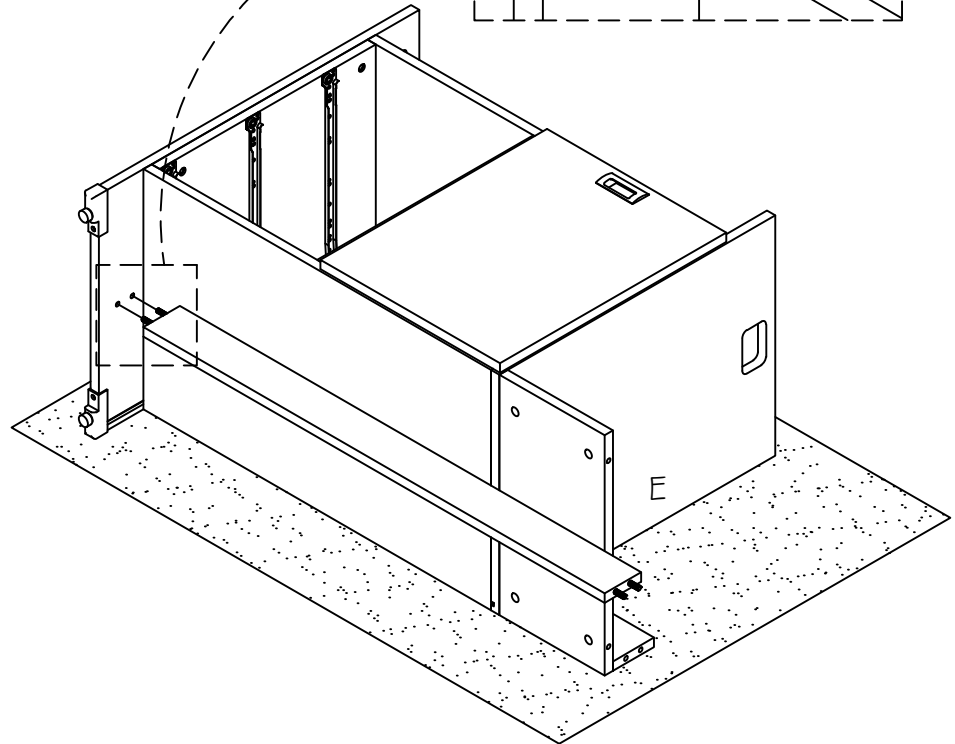
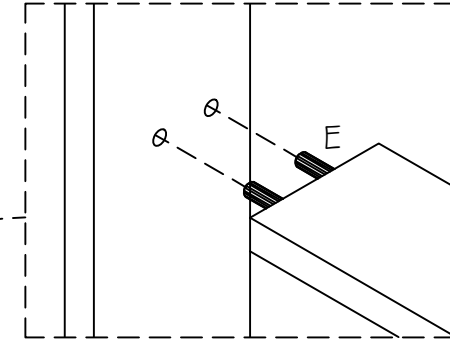
STEP 7

Attach the back strip to the center panel by using dowers.



STEP 8

Attach the bottom strip to the side panel left by using dowels.

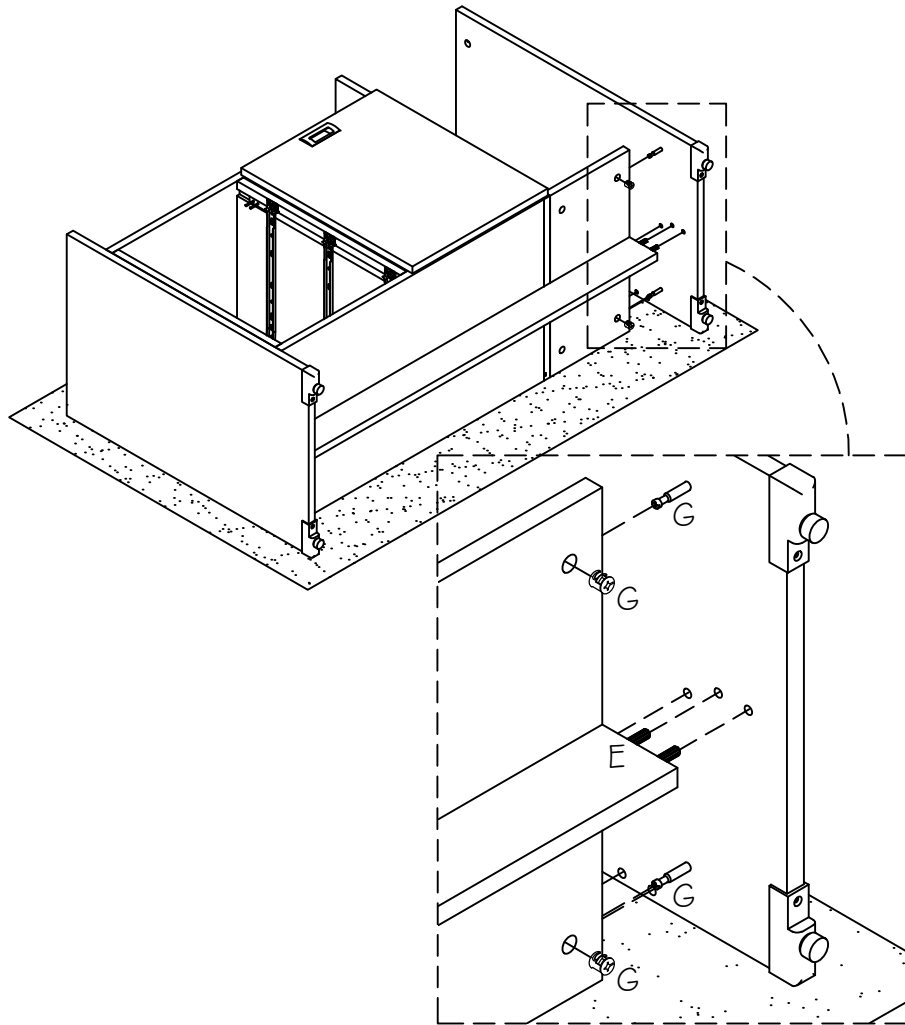


ASSEMBLY INSTRUCTION

TITAN CREDENZA WITH RECTANGULAR TOP 3 DRAWERS

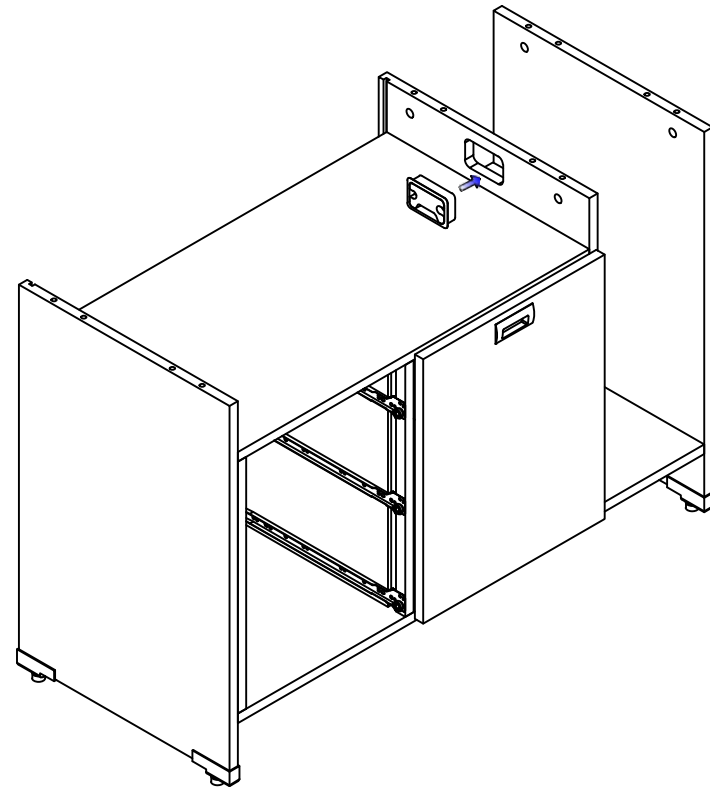
STEP 9

Attach the side panel right to the bottom panel, bottom strip & back strip by using dowers and minifix.



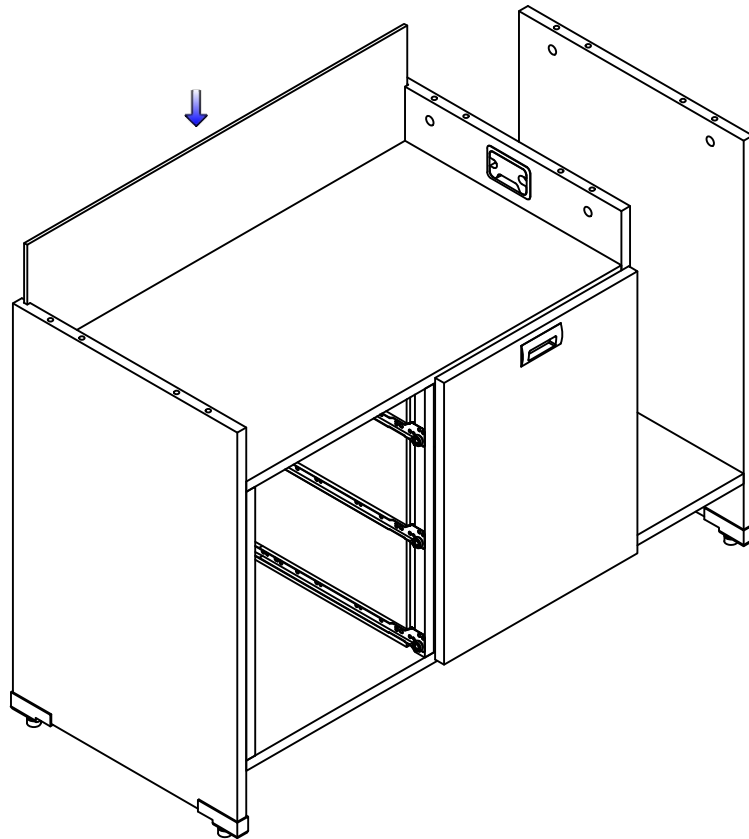
STEP 10

Insert the wire hole case into the center panel.



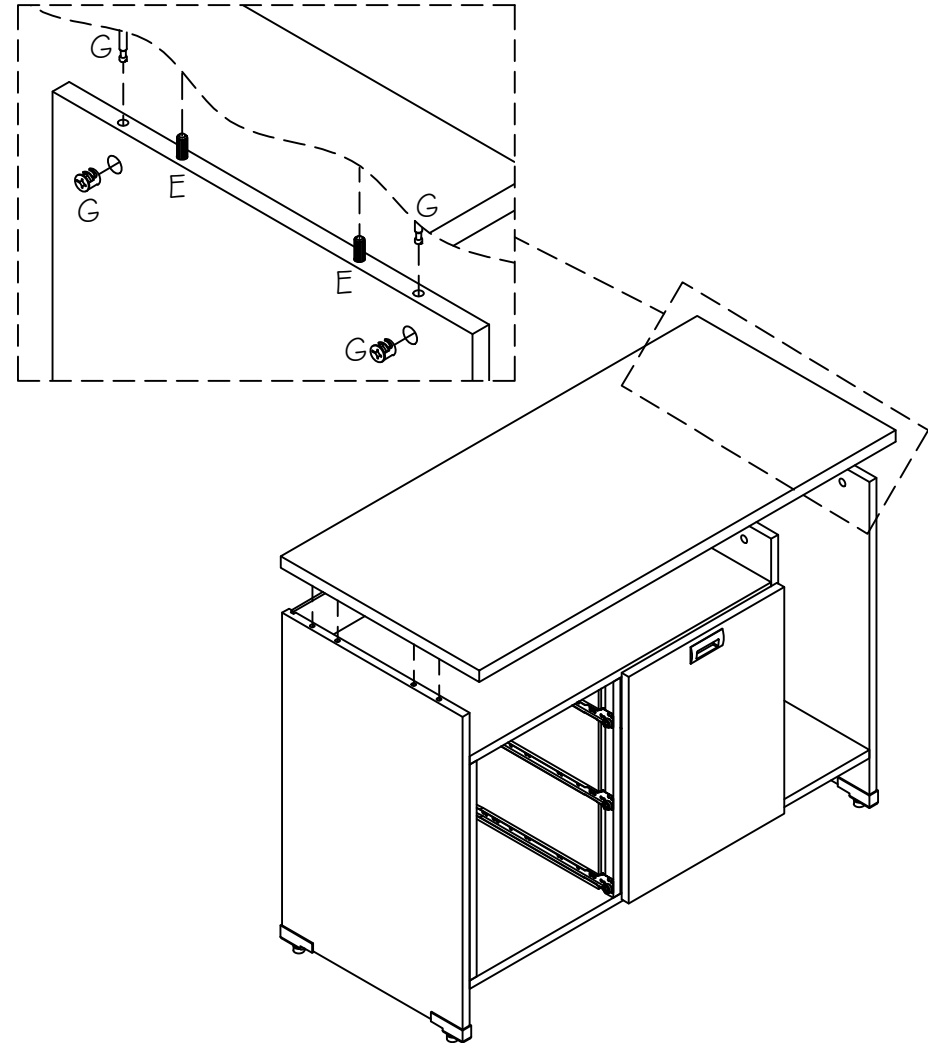
STEP 11

Slide in the back panel into the grooves at side panel left and center panel.



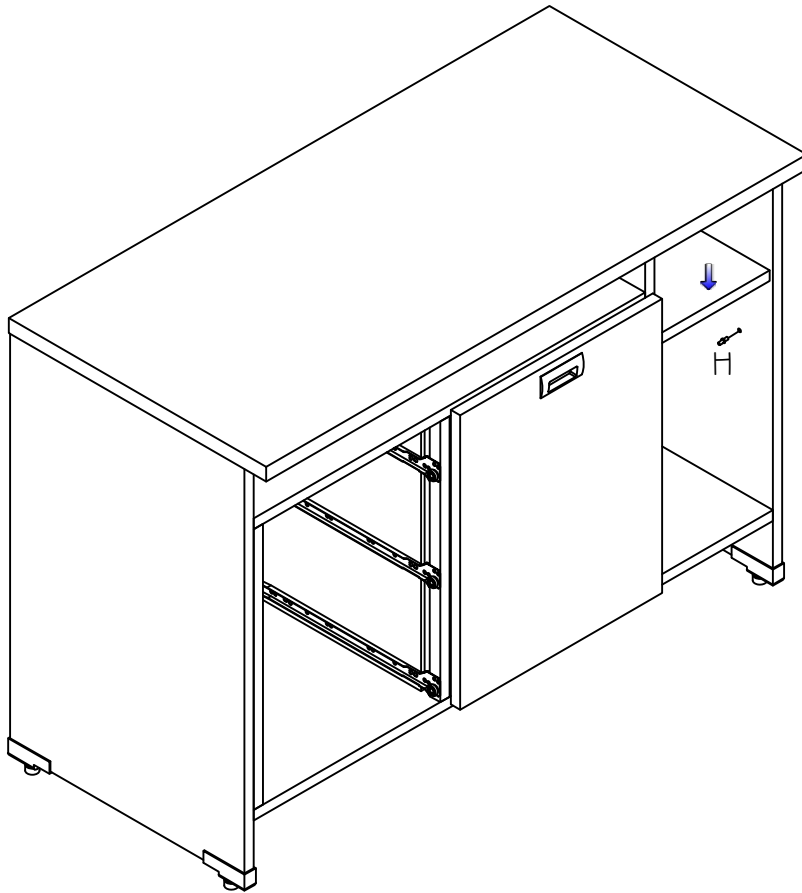
STEP 12

Attach the top panel to the side panels and center panel by using dowels and minifix.



STEP 13

Insert the shelf support pin into the pre-drilled holes at center panel & side panel right, place the shelf panel on the shelf pin.



STEP 14

Insert back all the drawers accordingly, and put the stationary tray inside the first drawer.

