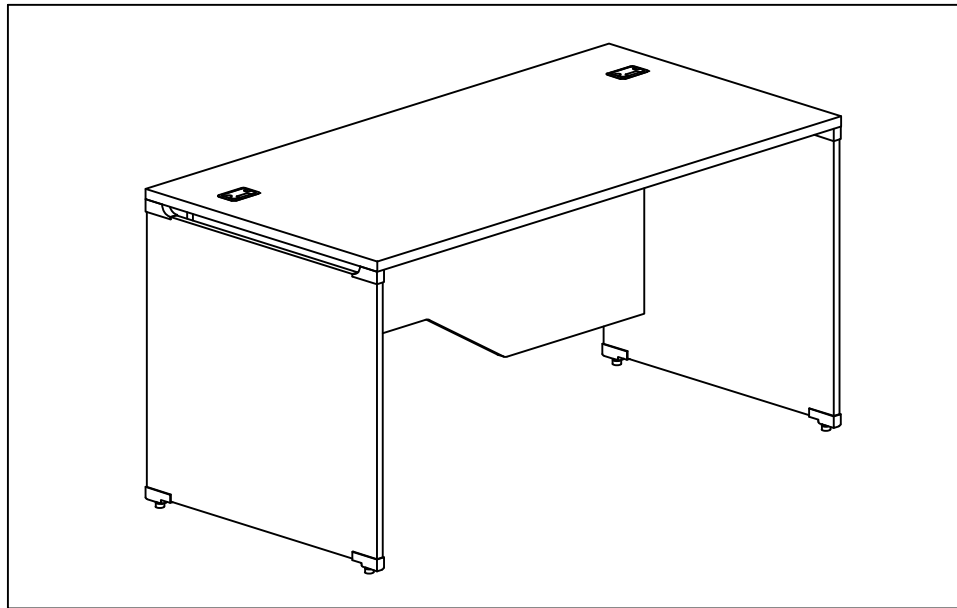


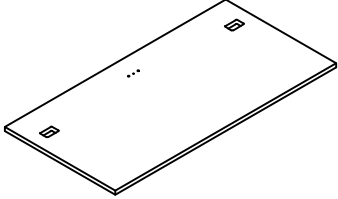
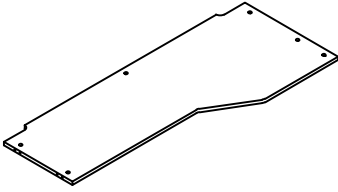
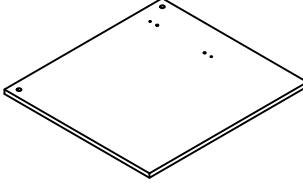
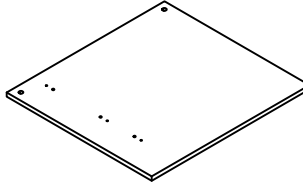
# ASSEMBLY INSTRUCTION

# TITAN DESK WITH RECTANGULAR TOP (1500)




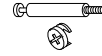

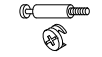



Thank you for purchasing this quality product. Be sure to check all packing material carefully for small parts that may have come loose inside the carton during shipment.

### COMPONENT LISTS



NO	DESCRIPTION	QTY
1	 TOP PANEL	1
2	 BACK PANEL	1
3	 SIDE PANEL LEFT	1
4	 SIDE PANEL RIGHT	1

### HARDWARE LISTS

NO	DESCRIPTION	QTY	NO	DESCRIPTION	QTY
A	 Center Support	4	E	 Dowel Ø8 x 30mm	7
B	 Bottom Support	4	F	 Minifix (60mm)	4
C	 Adjuster	4	G	 Minifix (35mm)	6
D	 Chipboard screw 4 x 25mm	4	H	 Plastic Cap	10
			I	 Wire Hole Case	2



\*\*Two people are required to set up this product.

EXAMPLE FOR SKETCH ONLY

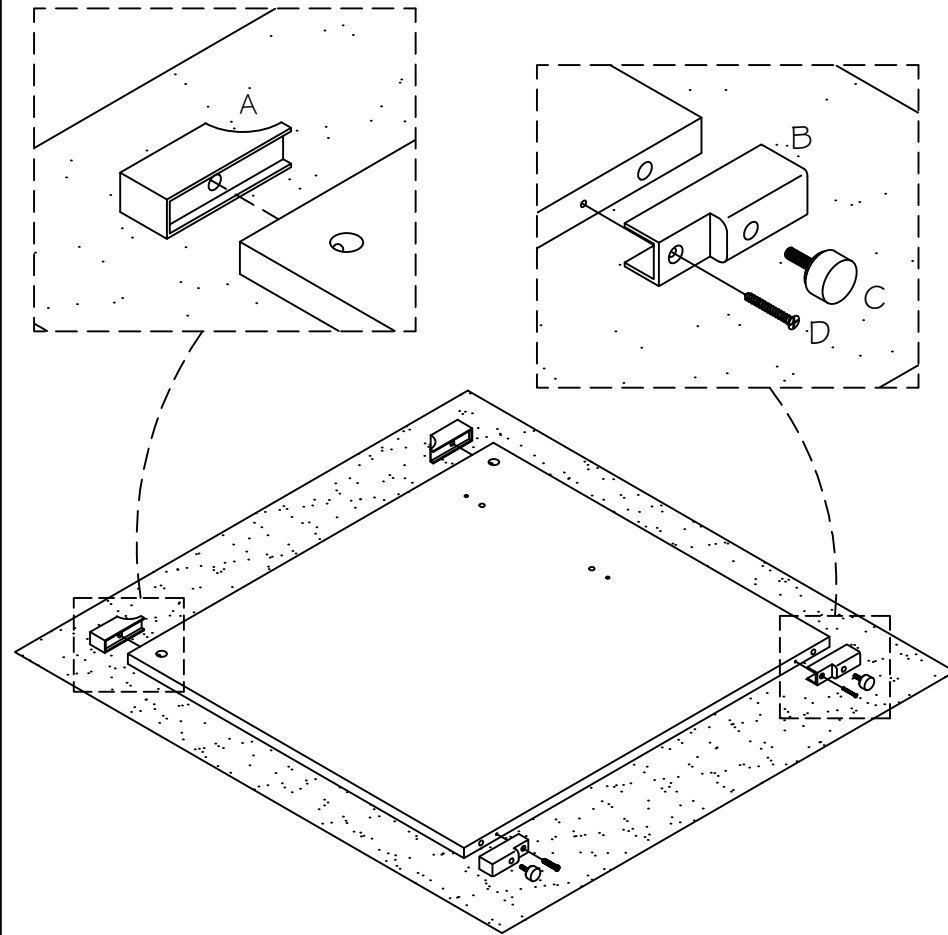
MADE IN MALAYSIA

# ASSEMBLY INSTRUCTION

# TITAN DESK WITH RECTANGULAR TOP (1500)

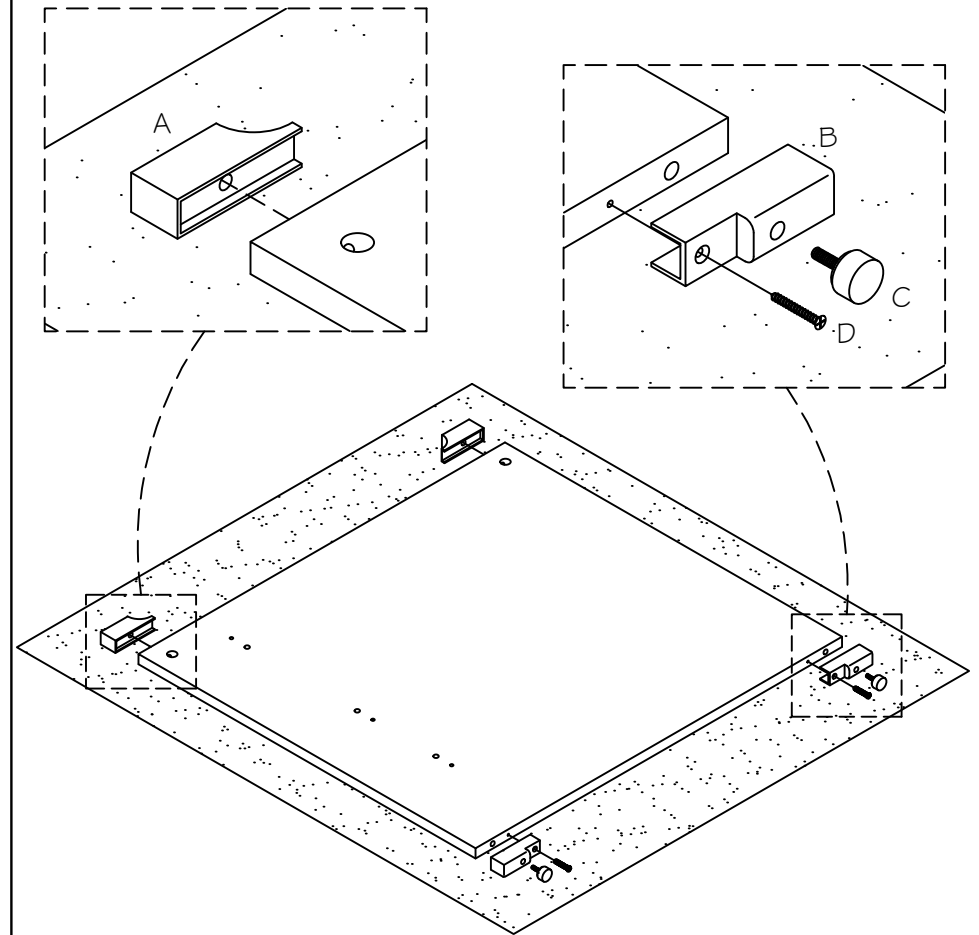
## STEP 1

Place the side panel left on smooth surface (For eg. Cloth, Carpet, Rug etc.). Attach the center supports to the top of side panel left. Then, fix the bottom supports to the bottom of side panel left by using adjuster and chipboard screws.



## STEP 2

Place the side panel right on smooth surface (For eg. Cloth, Carpet, Rug etc.). Attach the center supports to the top of side panel right. Then, fix the bottom supports to the bottom of side panel right by using adjuster and chipboard screws.

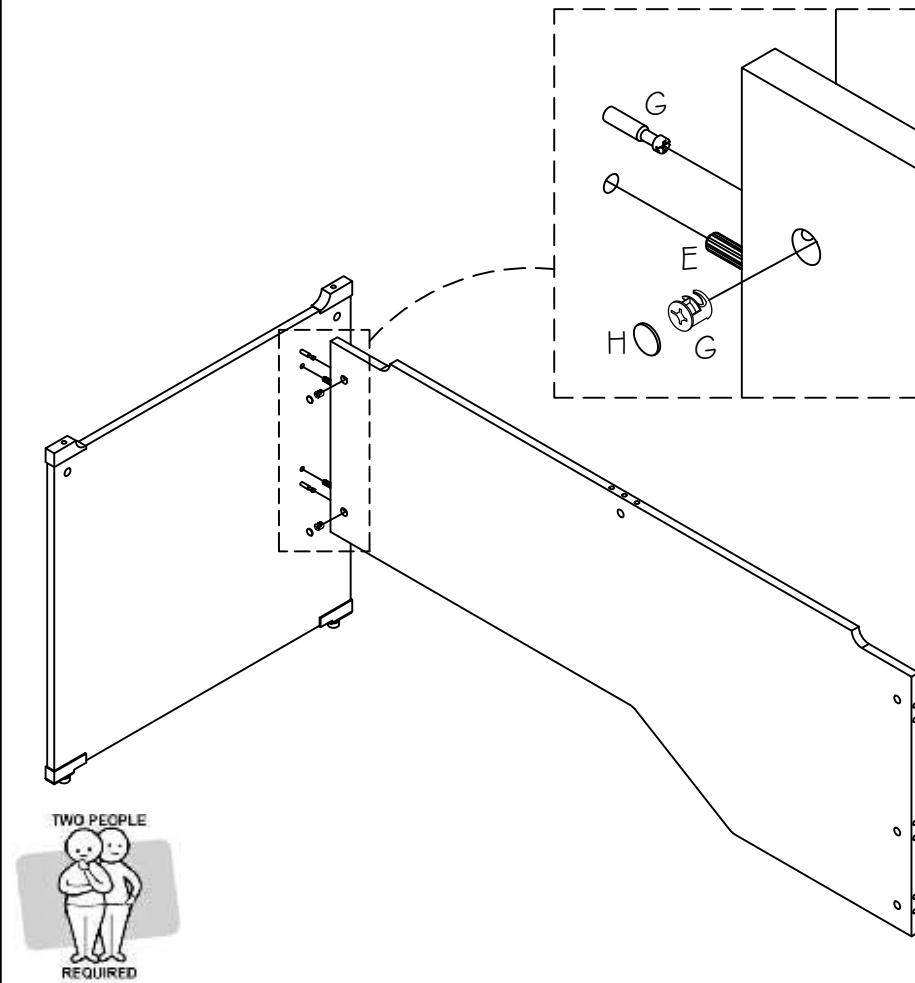


# ASSEMBLY INSTRUCTION

# TITAN DESK WITH RECTANGULAR TOP (1500)

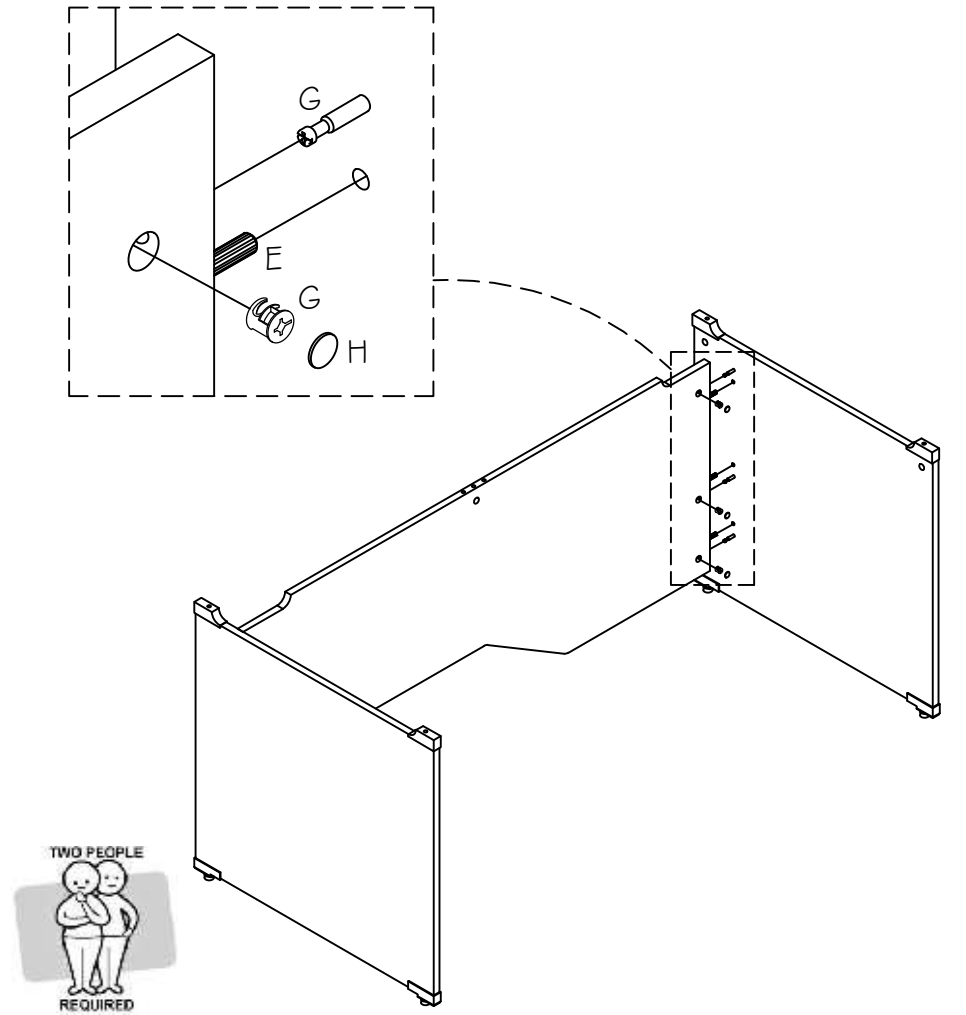
## STEP 3

Fix the back panel to side panel left by using dowels and minifix (35mm).



## STEP 4

Fix the back panel to side panel right by using dowels and minifix (35mm).

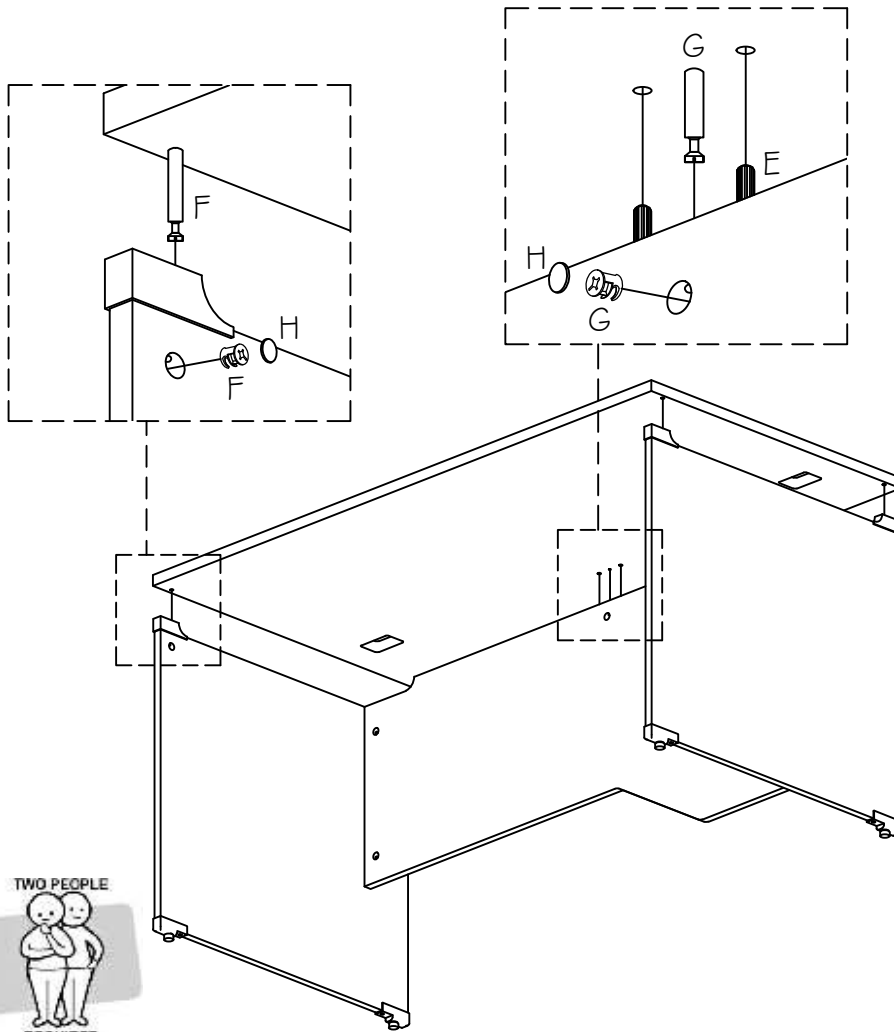


EXAMPLE FOR SKETCH ONLY

MADE IN MALAYSIA

## STEP 5

Attach the top panel to side panels and back panel by using dowels and minifix (35mm & 60mm).



## STEP 6

Insert the wire hole cases on the top panel.

