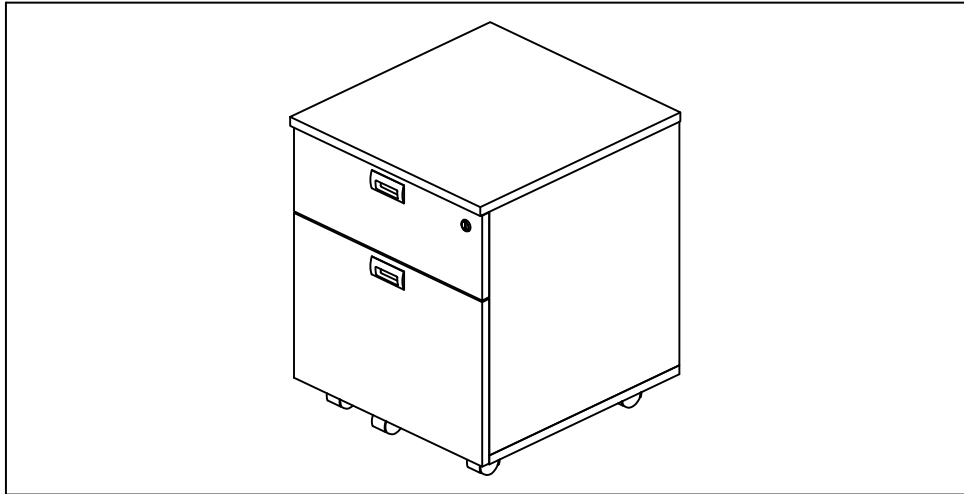





ASSEMBLY INSTRUCTION

TITAN MOBILE PEDESTALS 1 DRAWER 1 FILING

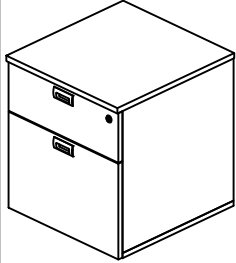
Thank you for purchasing this quality product. Be sure to check all packing material carefully for small parts that may have come loose inside the carton during shipment.



HARDWARE LISTS

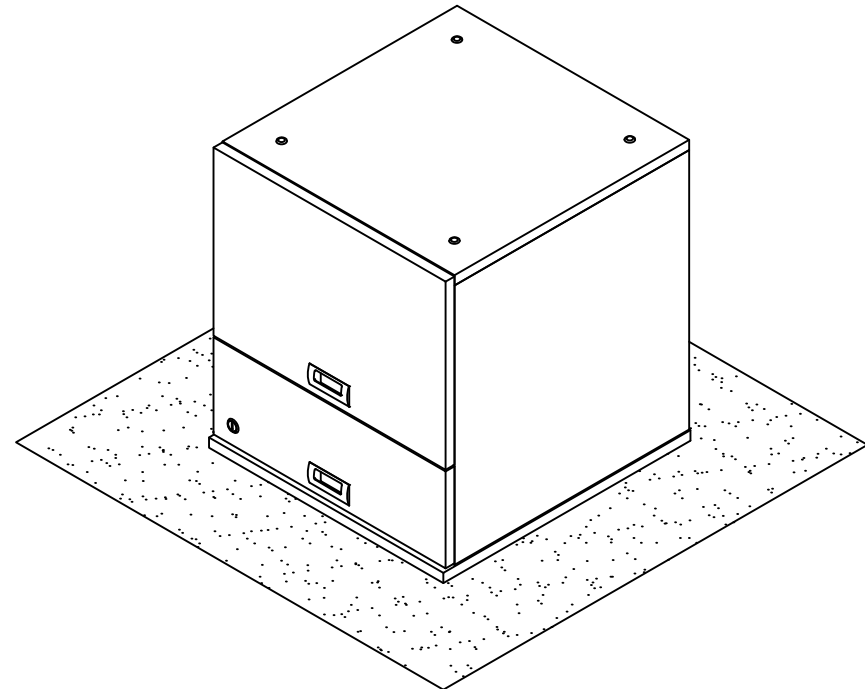
| NO | DESCRIPTION | QTY | NO | DESCRIPTION | QTY |
|----|---|-----|----|---|-----|
| A |  Roller | 4 | C |  Chipboard Screw 3.5 X 16mm | 2 |
| B |  Roller (Drawer bottom) | 1 | | | |

COMPONENT LISTS

| NO | DESCRIPTION | QTY |
|----|--|-----|
| 1 |  Body | 1 |

IMPORTANT !

Place the body of the pedestals upside down on smooth surface (For eg. Cloth, Carpet, Rug etc.) prior start of assembly.

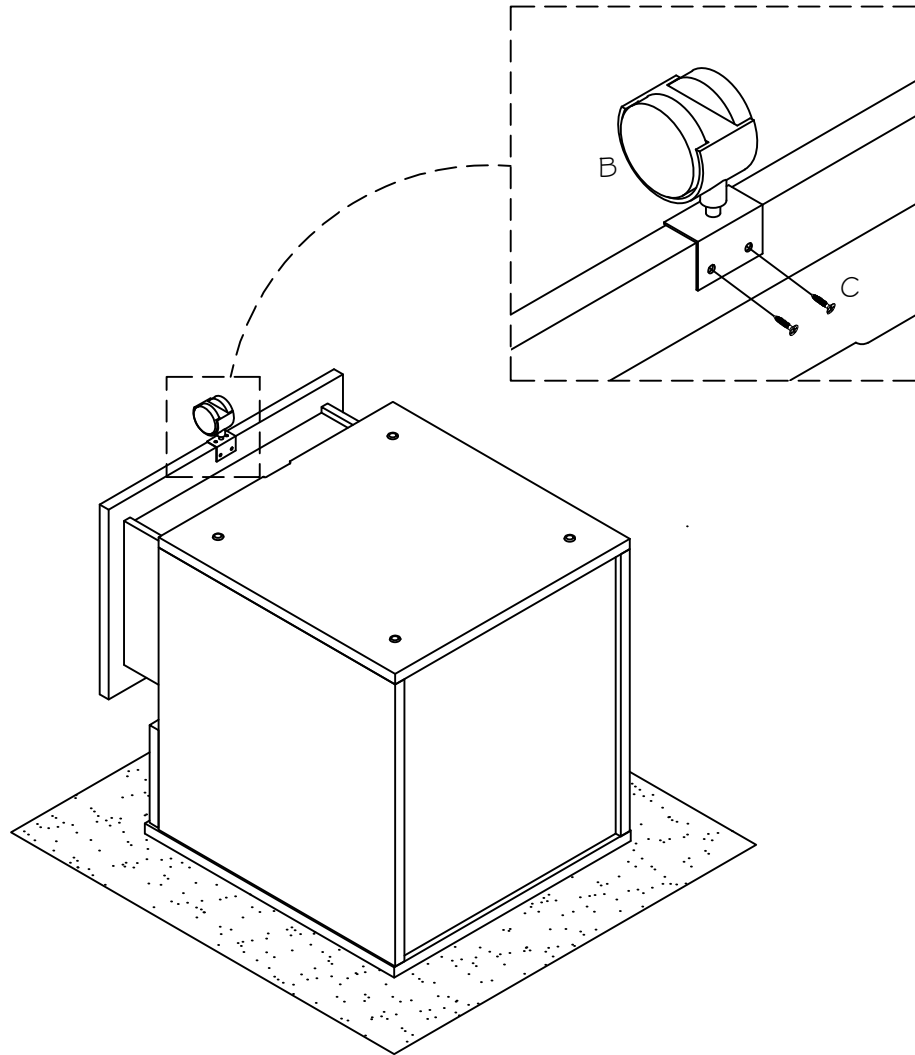


ASSEMBLY INSTRUCTION

TITAN MOBILE PEDESTALS 1 DRAWER 1 FILING

STEP 1

Open the bottom drawer. Fix the roller to the bottom of the drawer front by using chipboard screw.



STEP 2

Push the rollers into the bottom of the pedestals.

