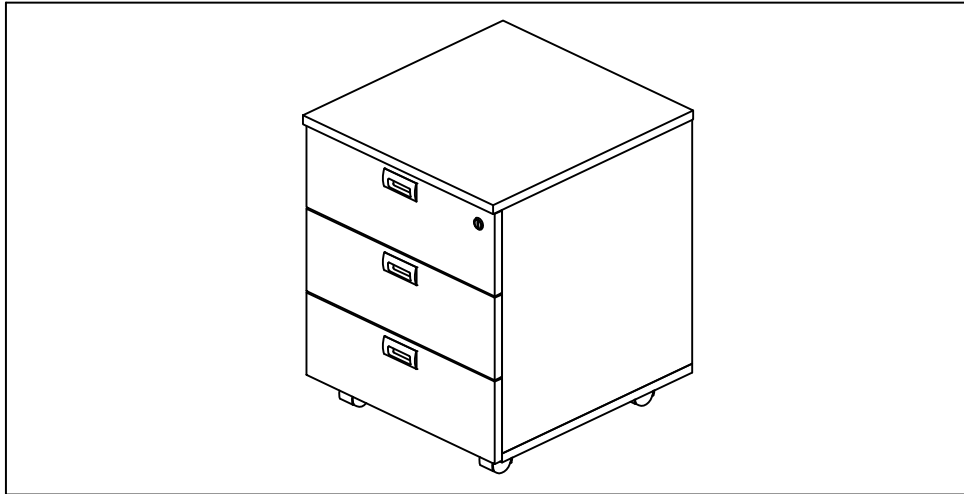


ASSEMBLY INSTRUCTION

TITAN MOBILE PEDESTALS 3 DRAWER

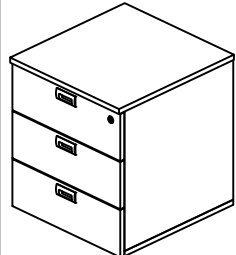
Thank you for purchasing this quality product. Be sure to check all packing material carefully for small parts that may have come loose inside the carton during shipment.



HARDWARE LISTS

NO	DESCRIPTION	QTY
A	 Roller	4

COMPONENT LISTS

NO	DESCRIPTION	QTY
1	 Body	1

STEP 1

Place the body of the pedestals upside down on smooth surface (For eg. Cloth, Carpet, Rug etc.) prior start of assembly.

Push the rollers into the bottom of the pedestals.

