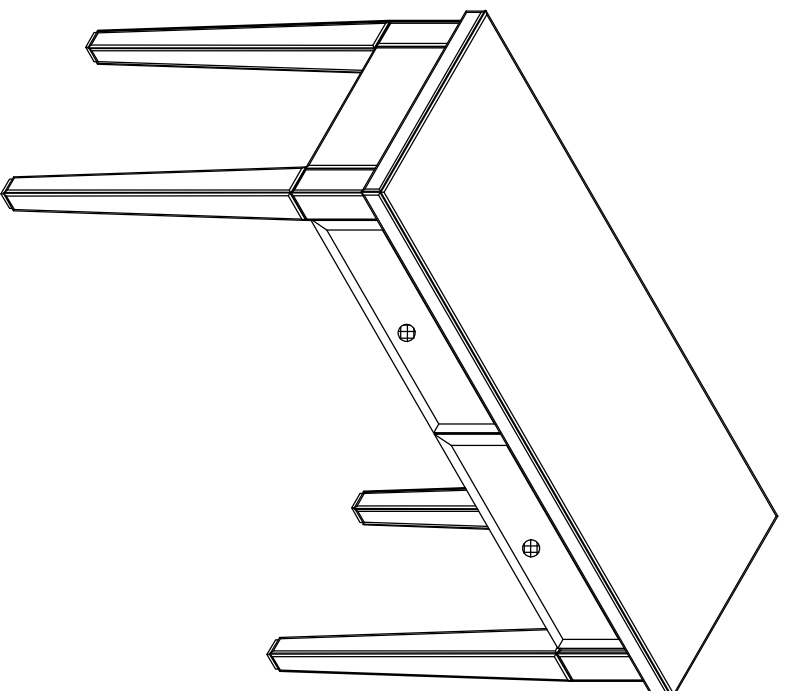


FURNITURE

VIENNA CONSOLE ASSEMBLY INSTRUCTIONS



a.

Using Tools



1 X 4 Per centhex
wrench



8 X Large Bolts
M8*35mm

STOP!

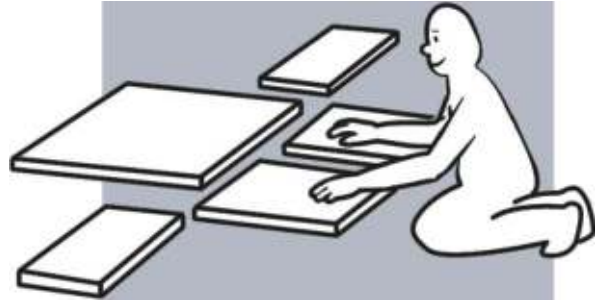
Before you start...

1



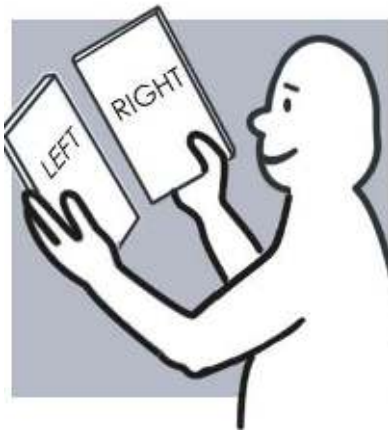
Read Instructions carefully.

2



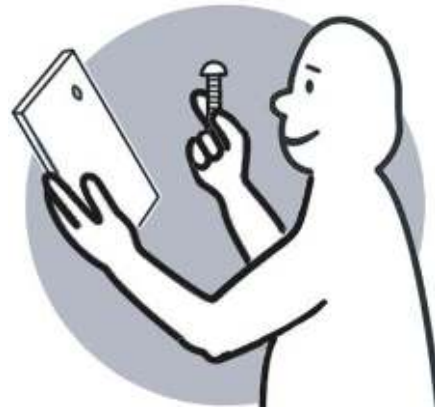
Lay out all of the components on a soft surface as if you were preparing to do a jigsaw puzzle.

3



Carefully identify each component, especially those that are similar. The most common mistake is getting things back to front.

4



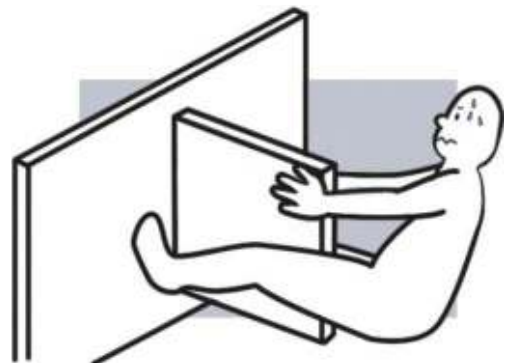
Separate and identify each component from the hardware pack— and rest each one in its proper location before fastening.

5



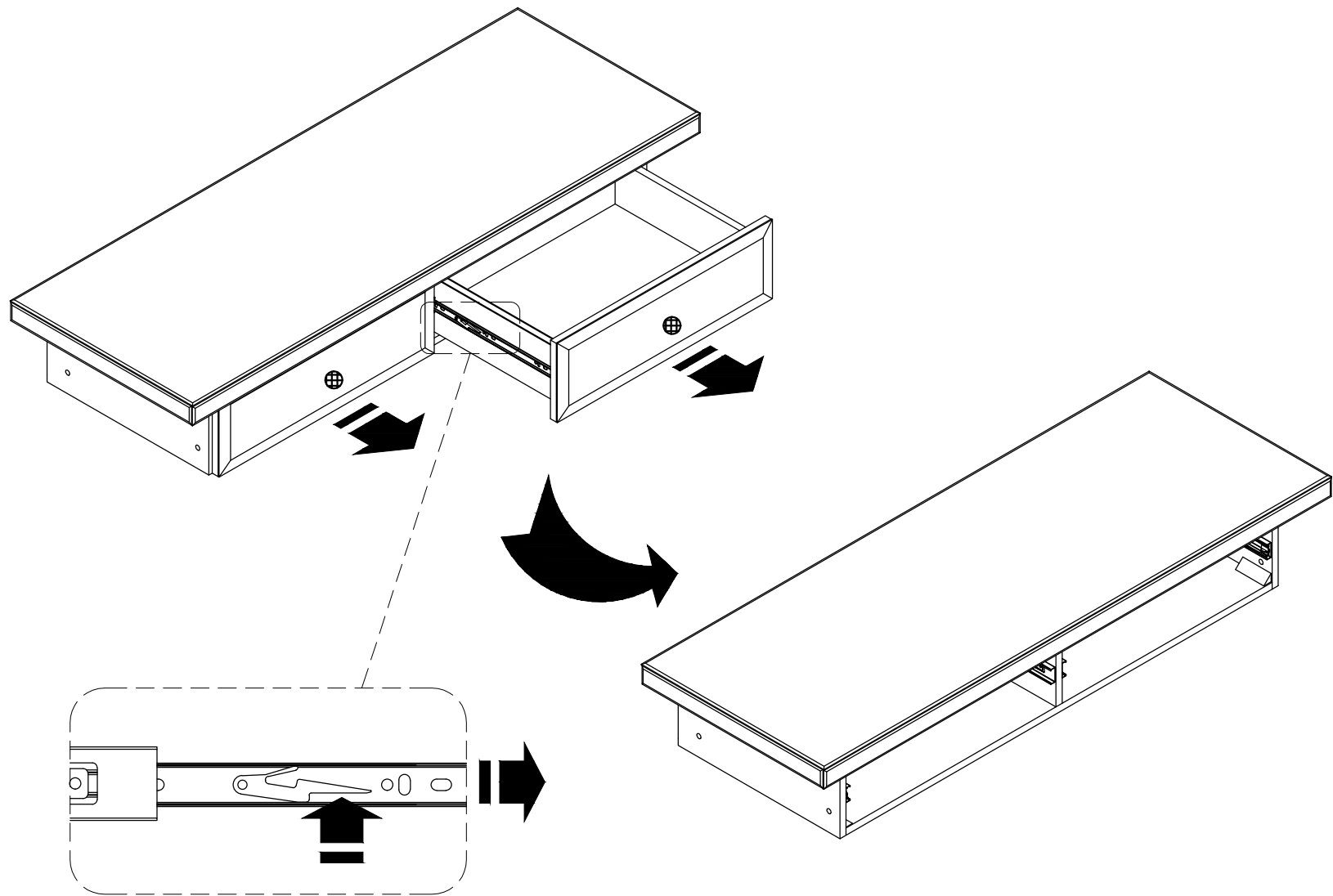
DO NOT Over-tighten screws

6

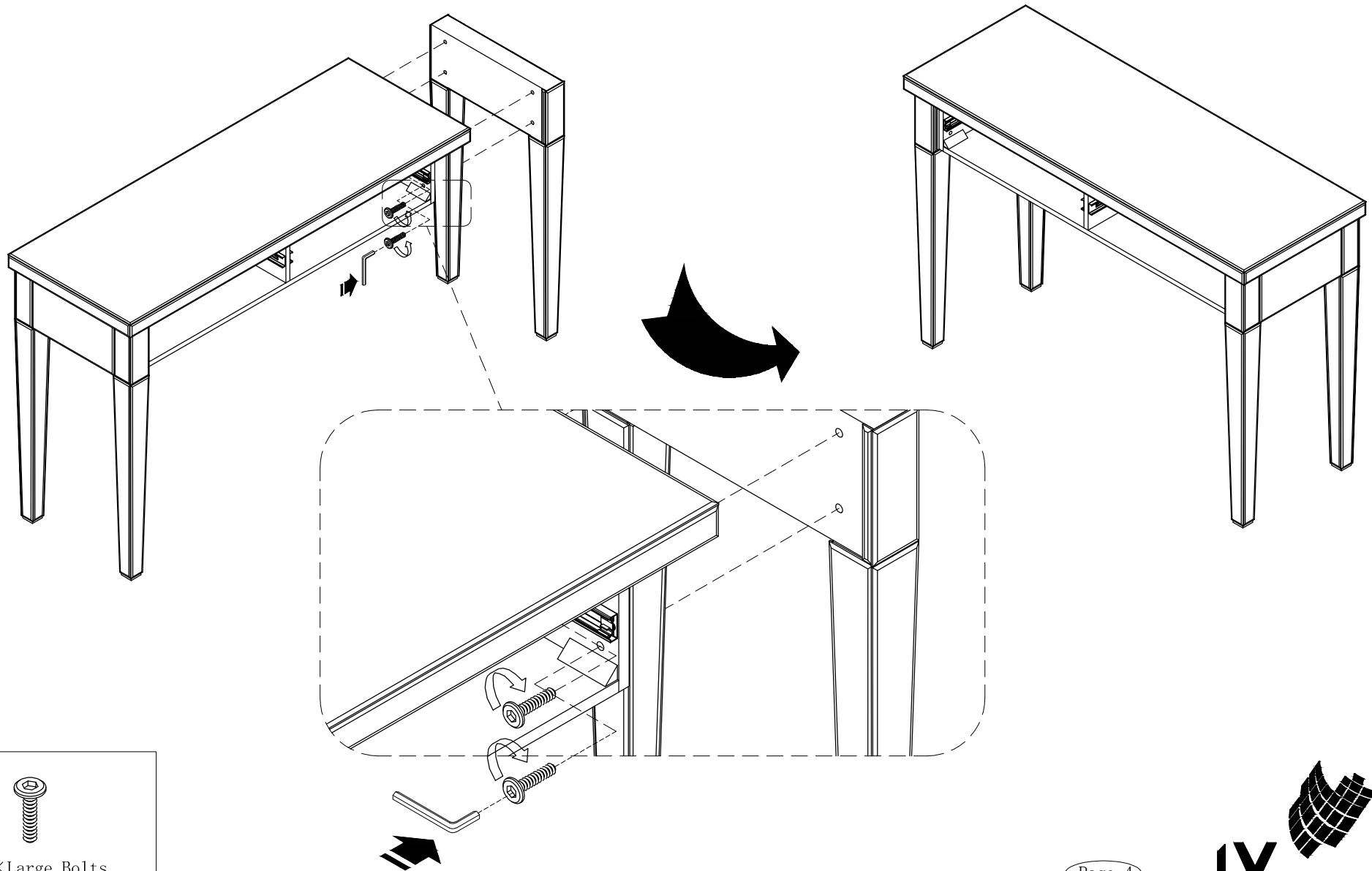


DO NOT set glue until you are certain that the parts belong together.

Step1:Take out the drawers as shown.



Step 2: Assemble two legs with a() as shown.

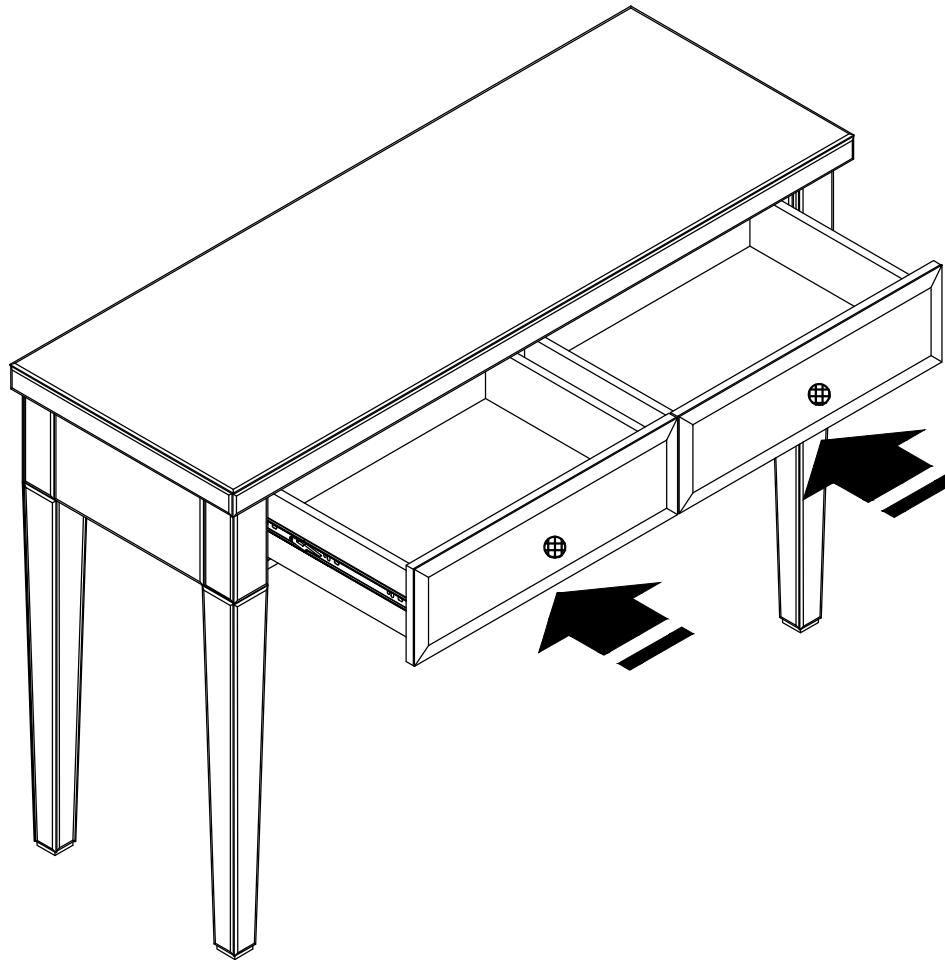


a.



12×Large Bolts
M8*35mm

Step 3: After successfully attaching the drawer box please slide drawers into position as shown.



UNIT COMPLETE

